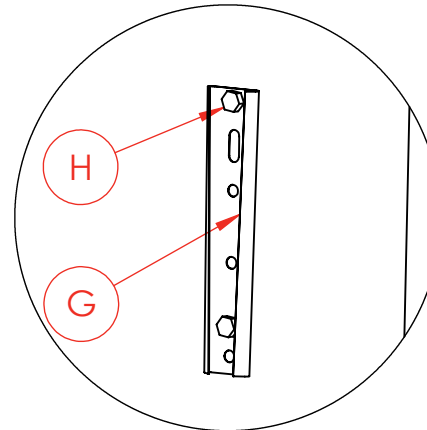
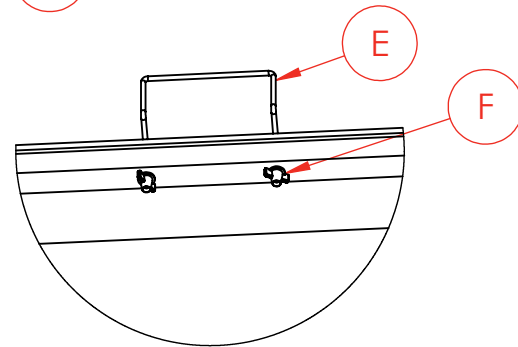
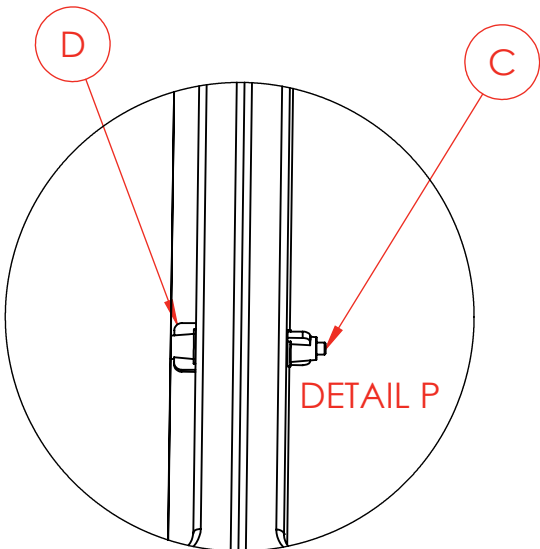
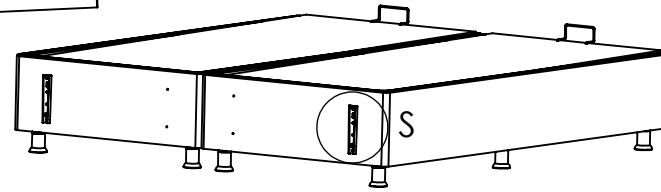
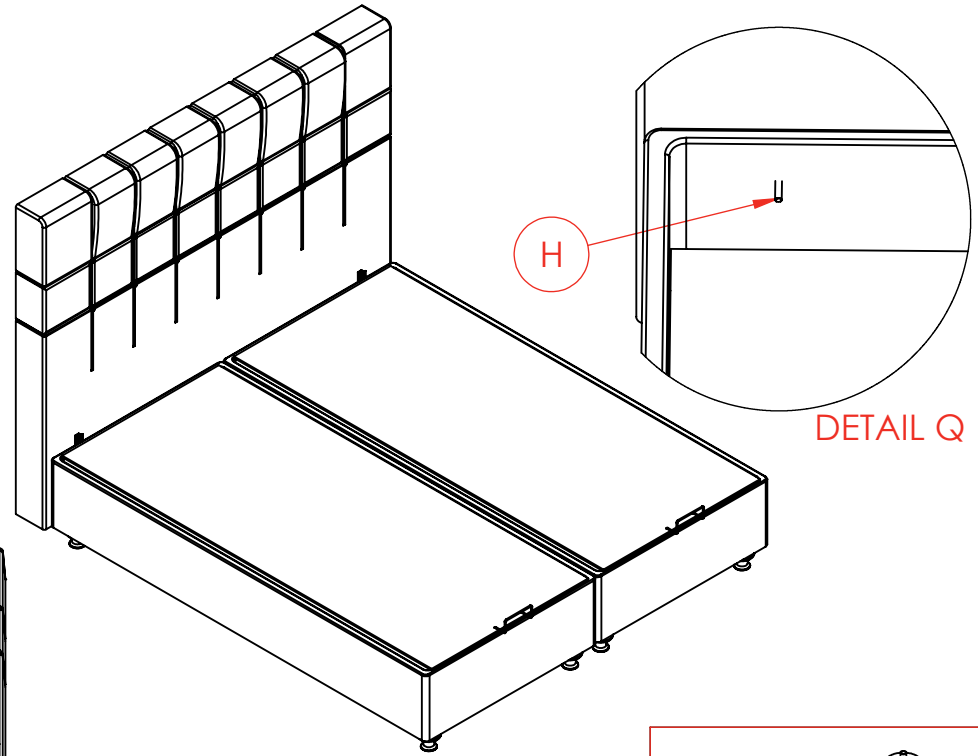
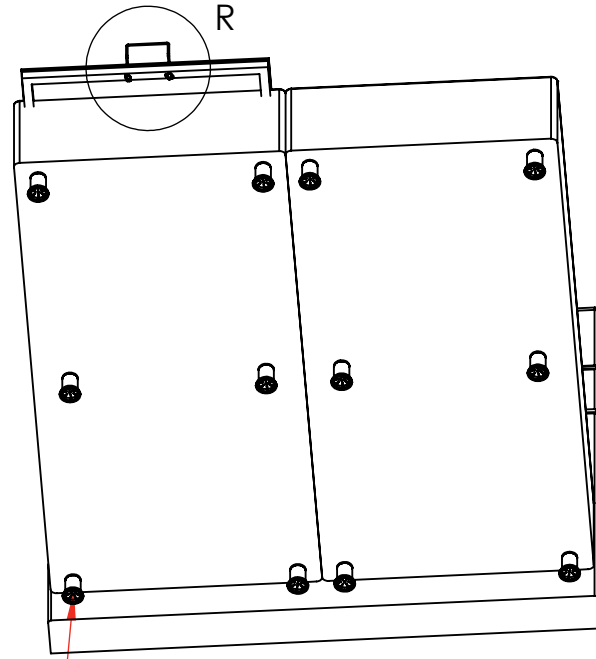
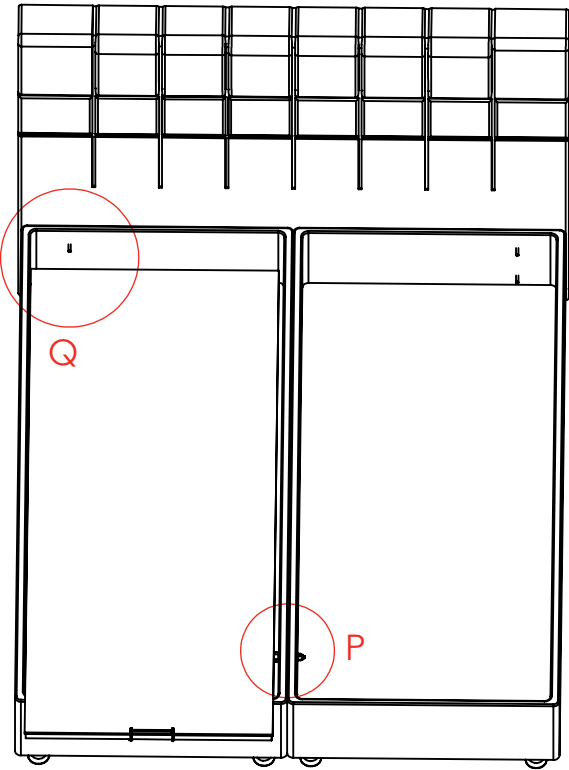


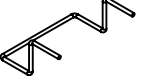
# MONTAGEANLEITUNG TOMMY



AX12 

CX2 

DX4 

EX2 

FX4 

GX2 

HX4 

DETAIL R

DETAIL S

DETAIL Q