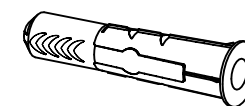
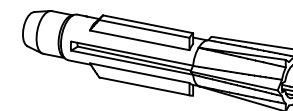
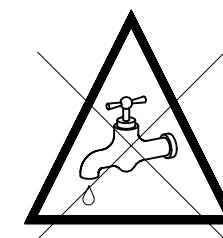
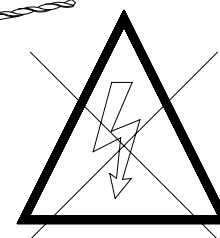
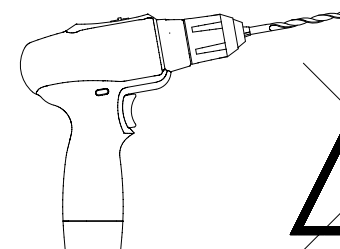
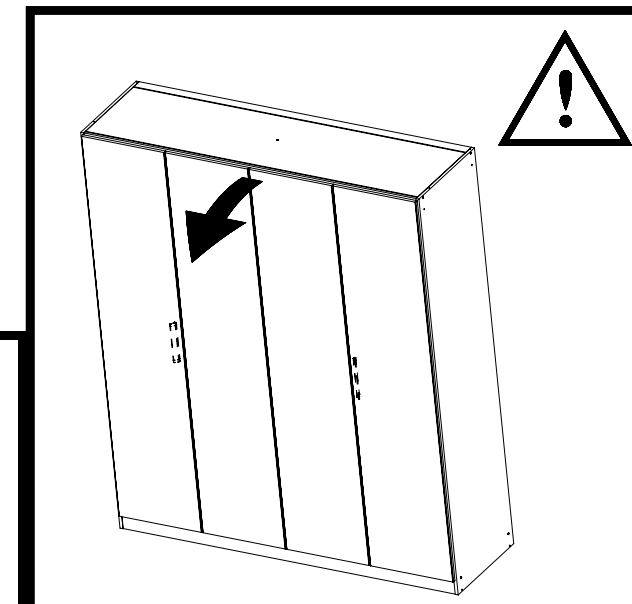
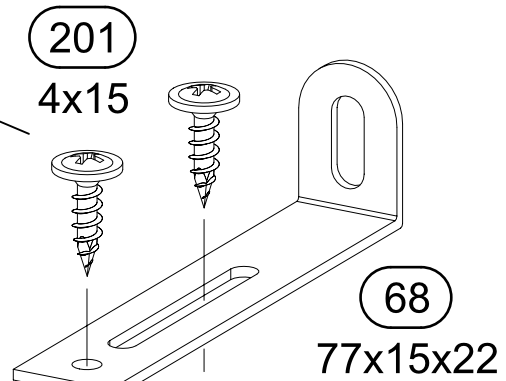
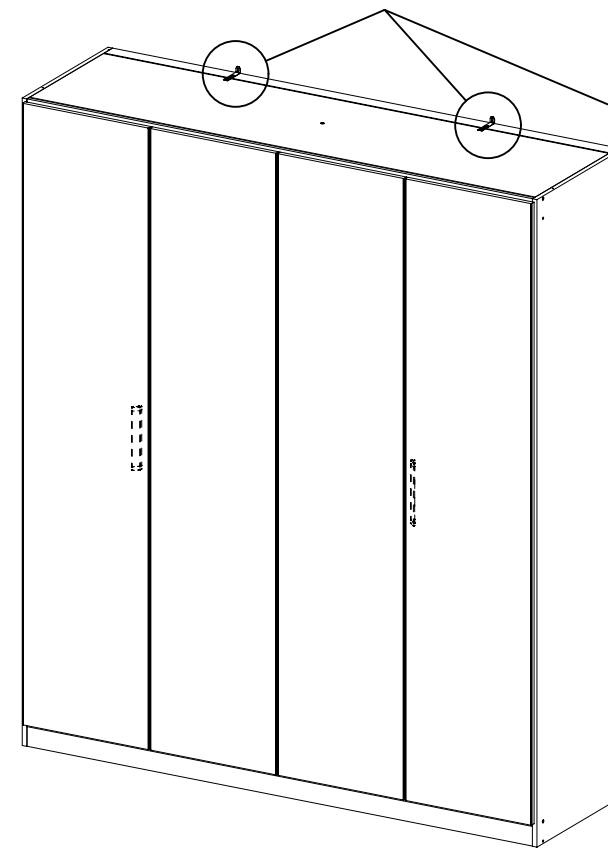
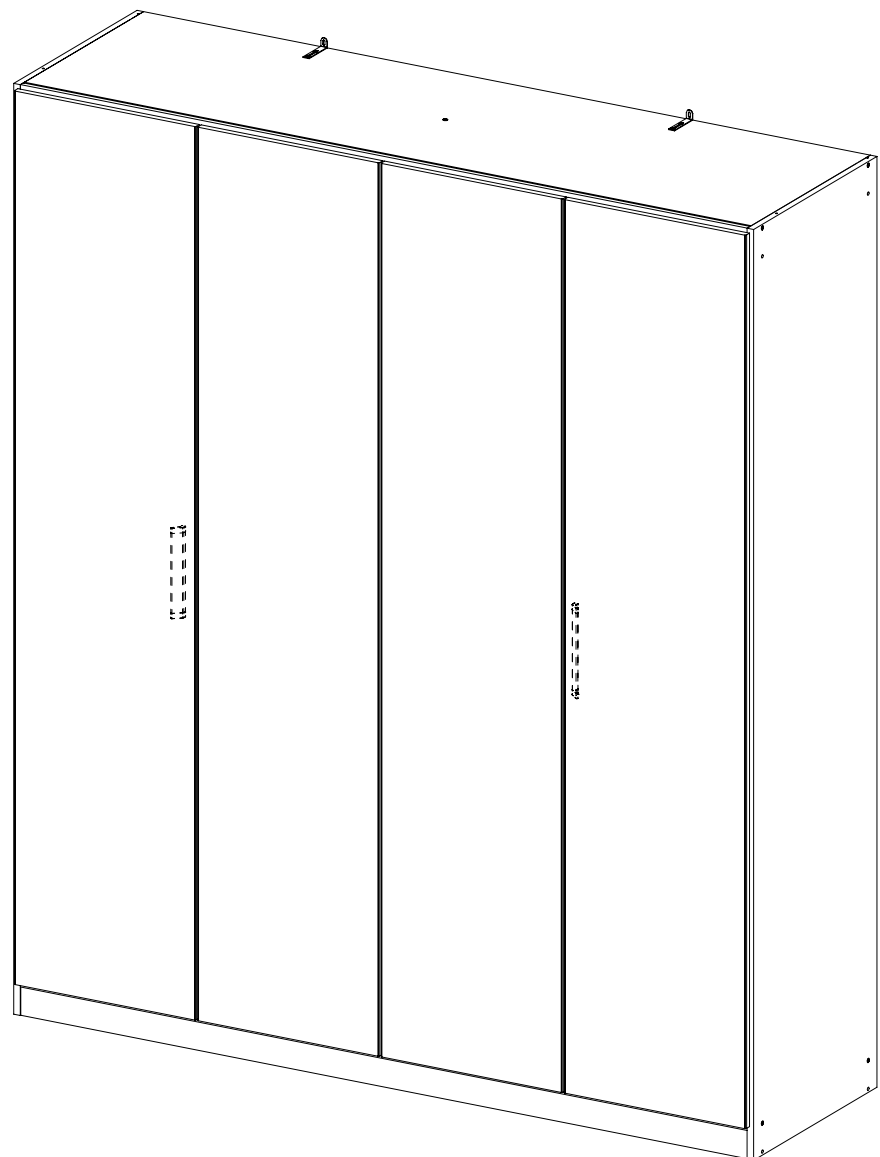
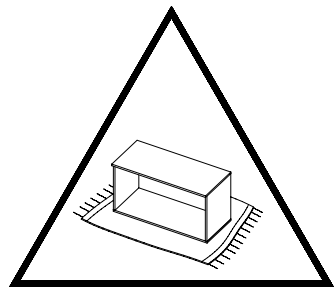
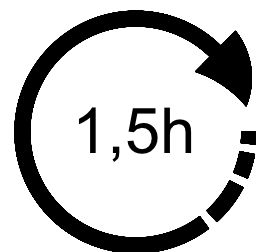
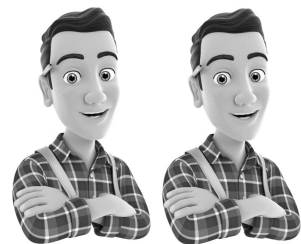
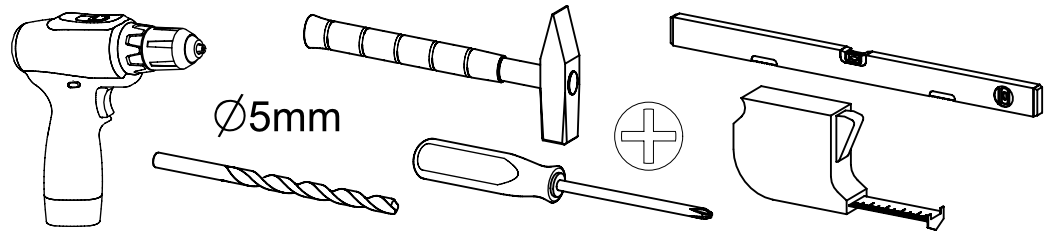
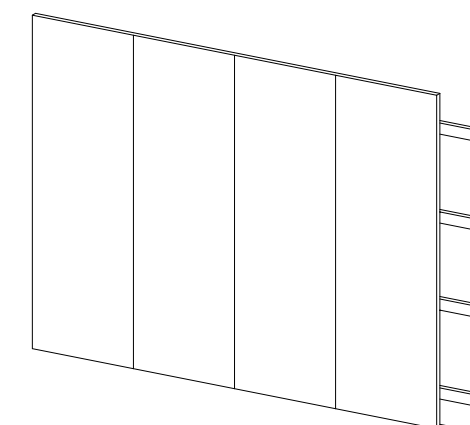
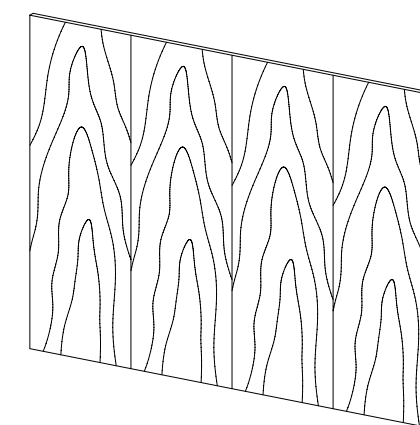
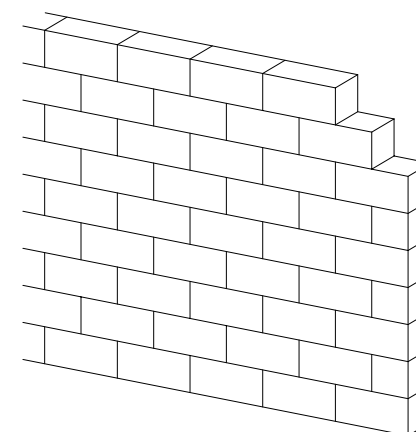
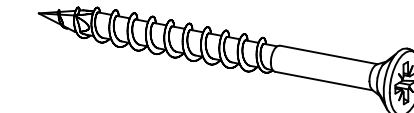
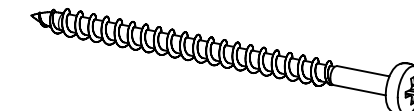
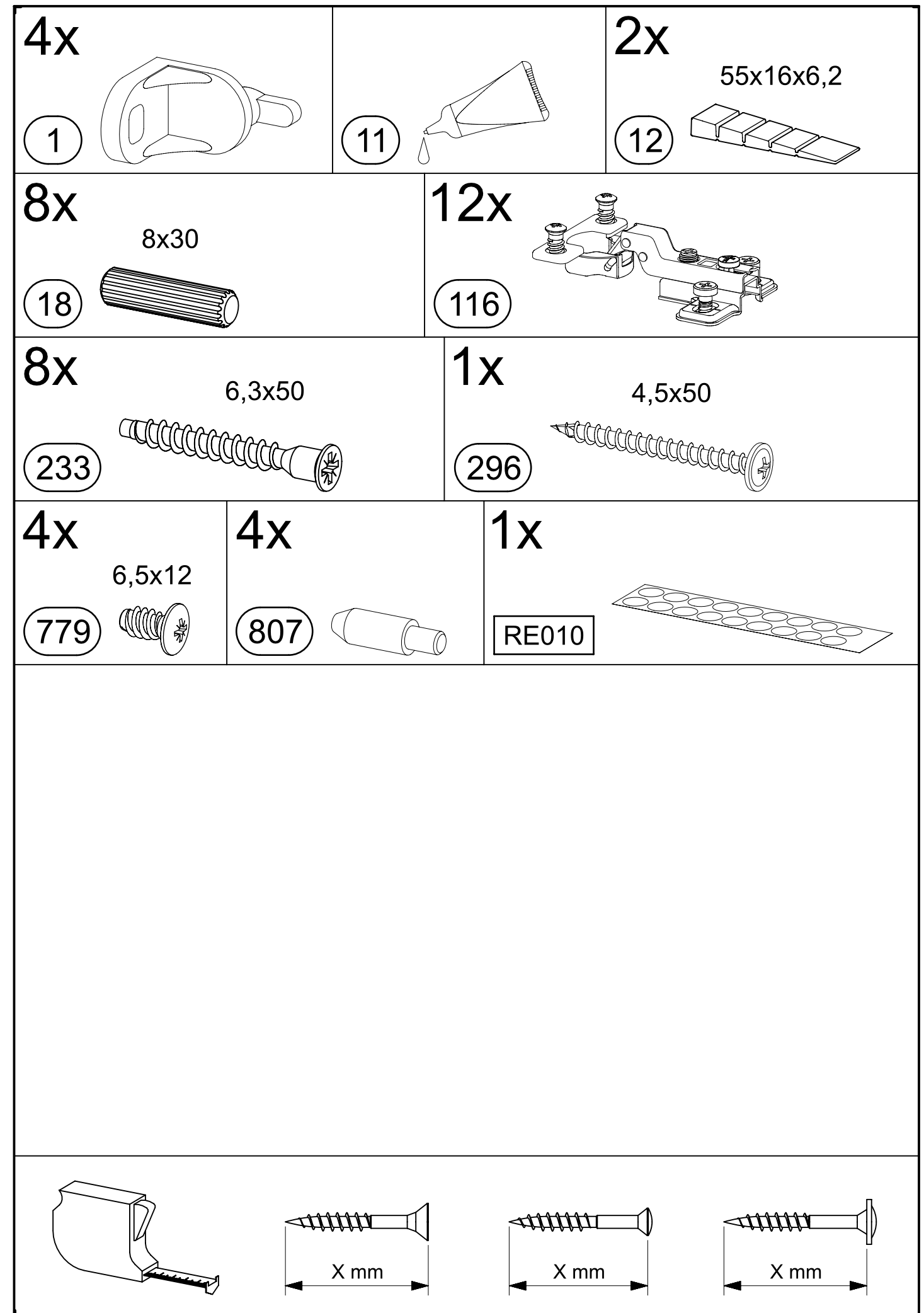
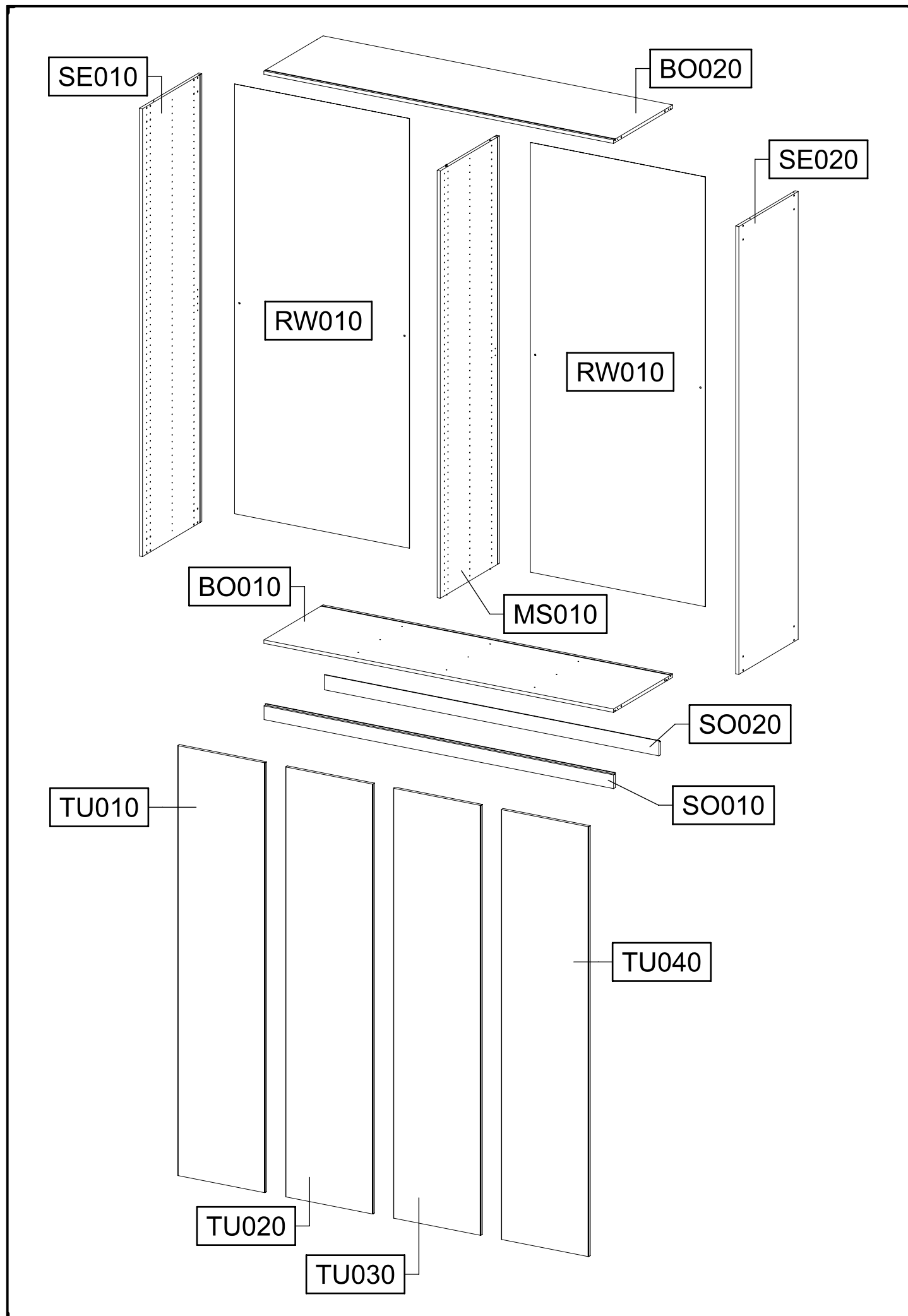


# M1792\_06

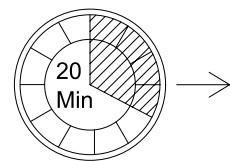
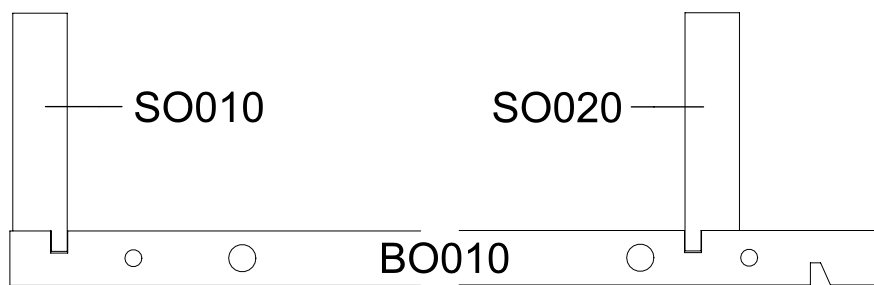
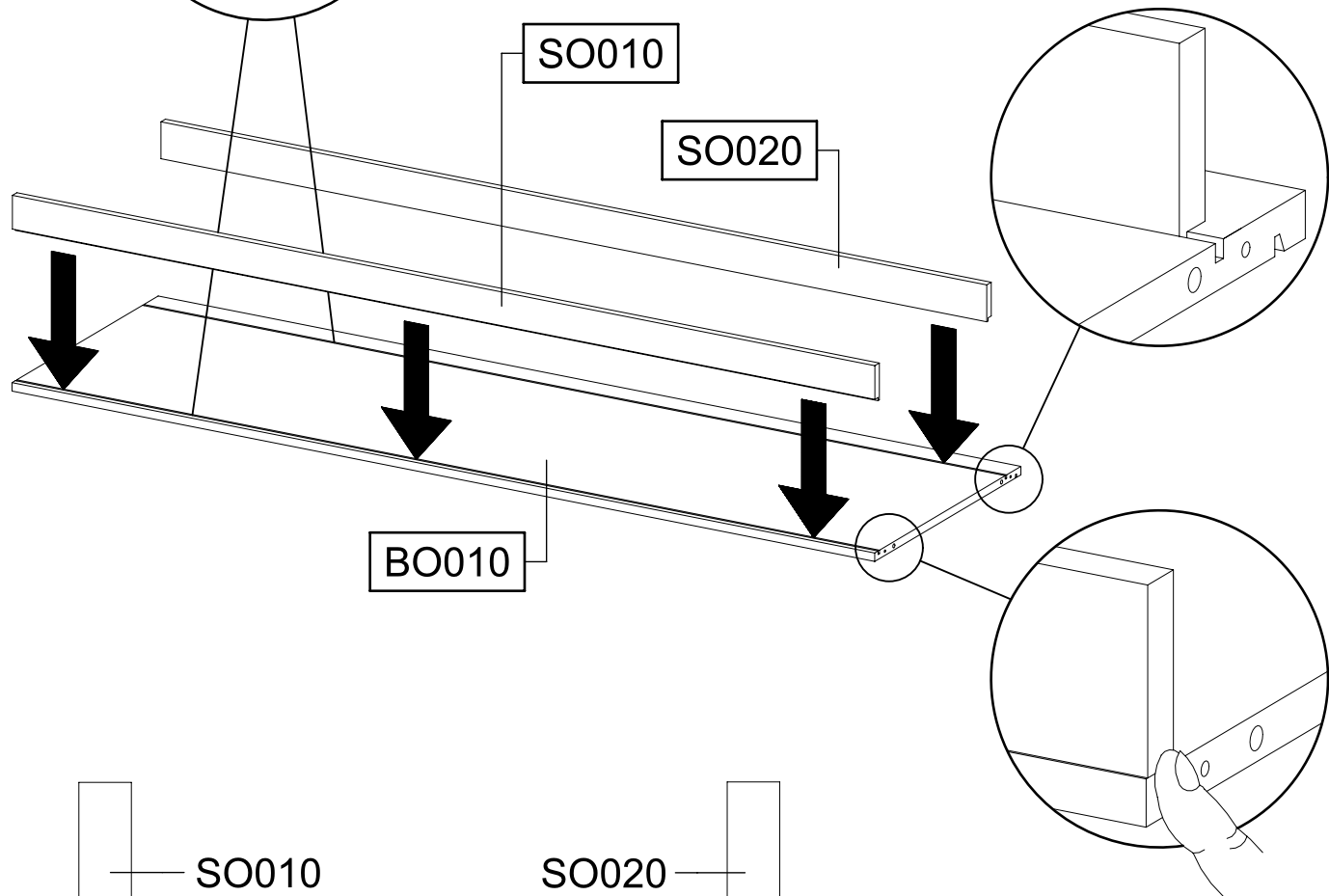
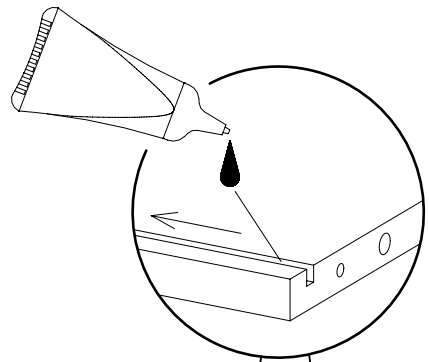
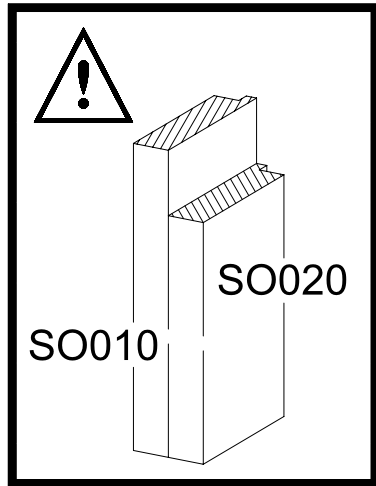
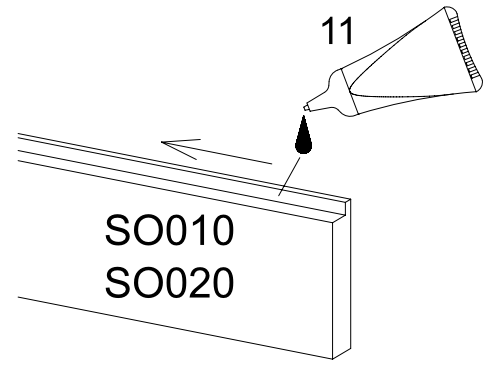
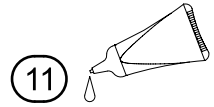


ØXmm



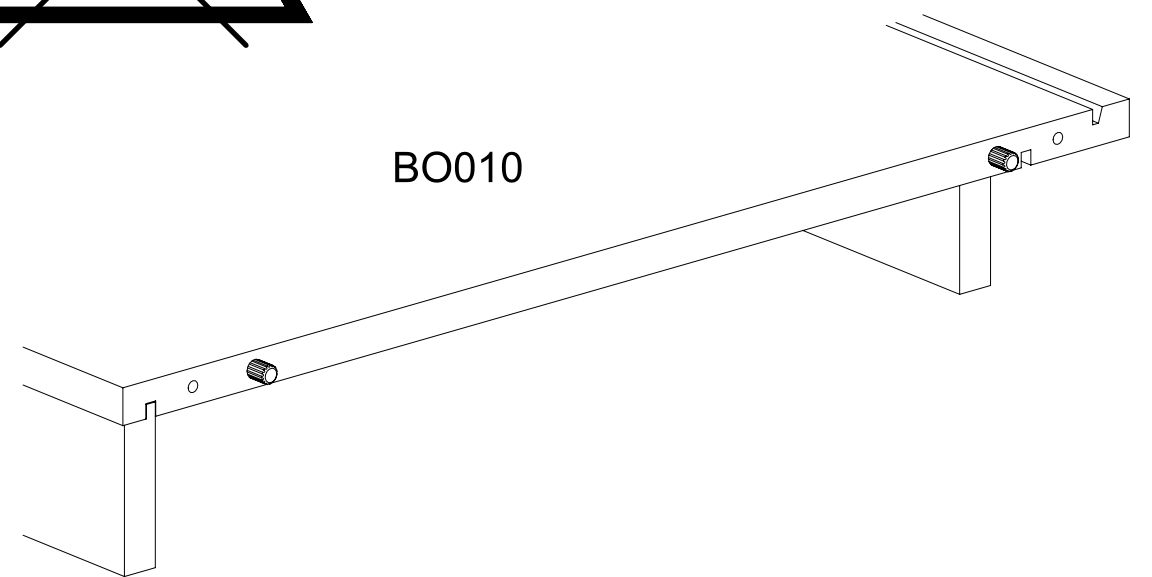
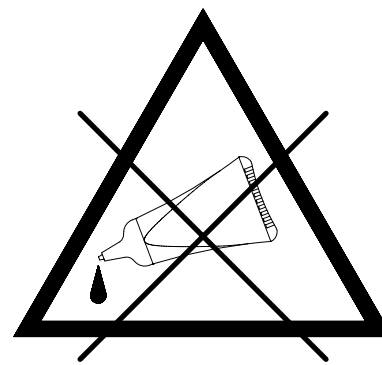
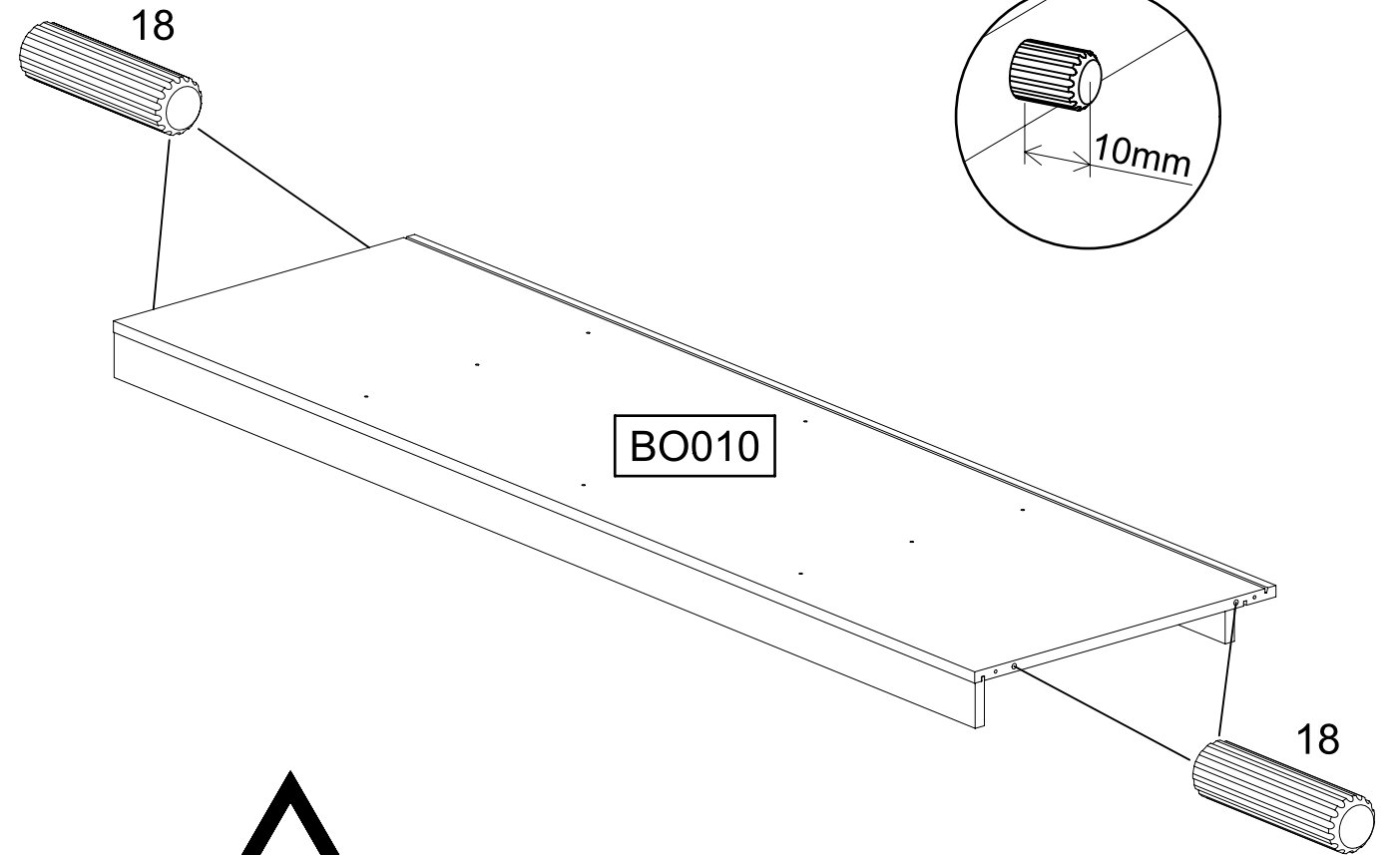
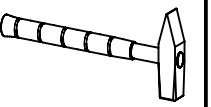


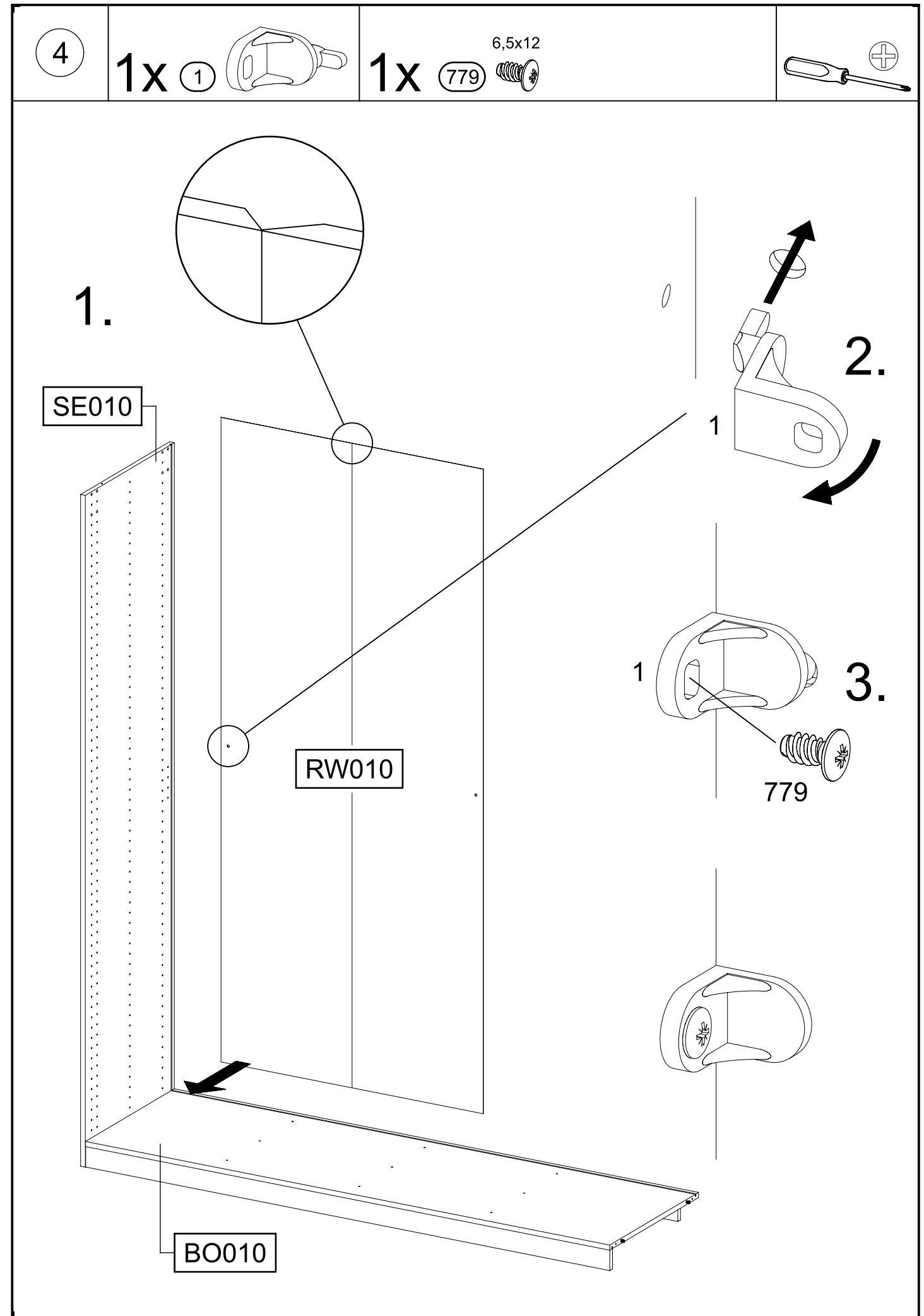
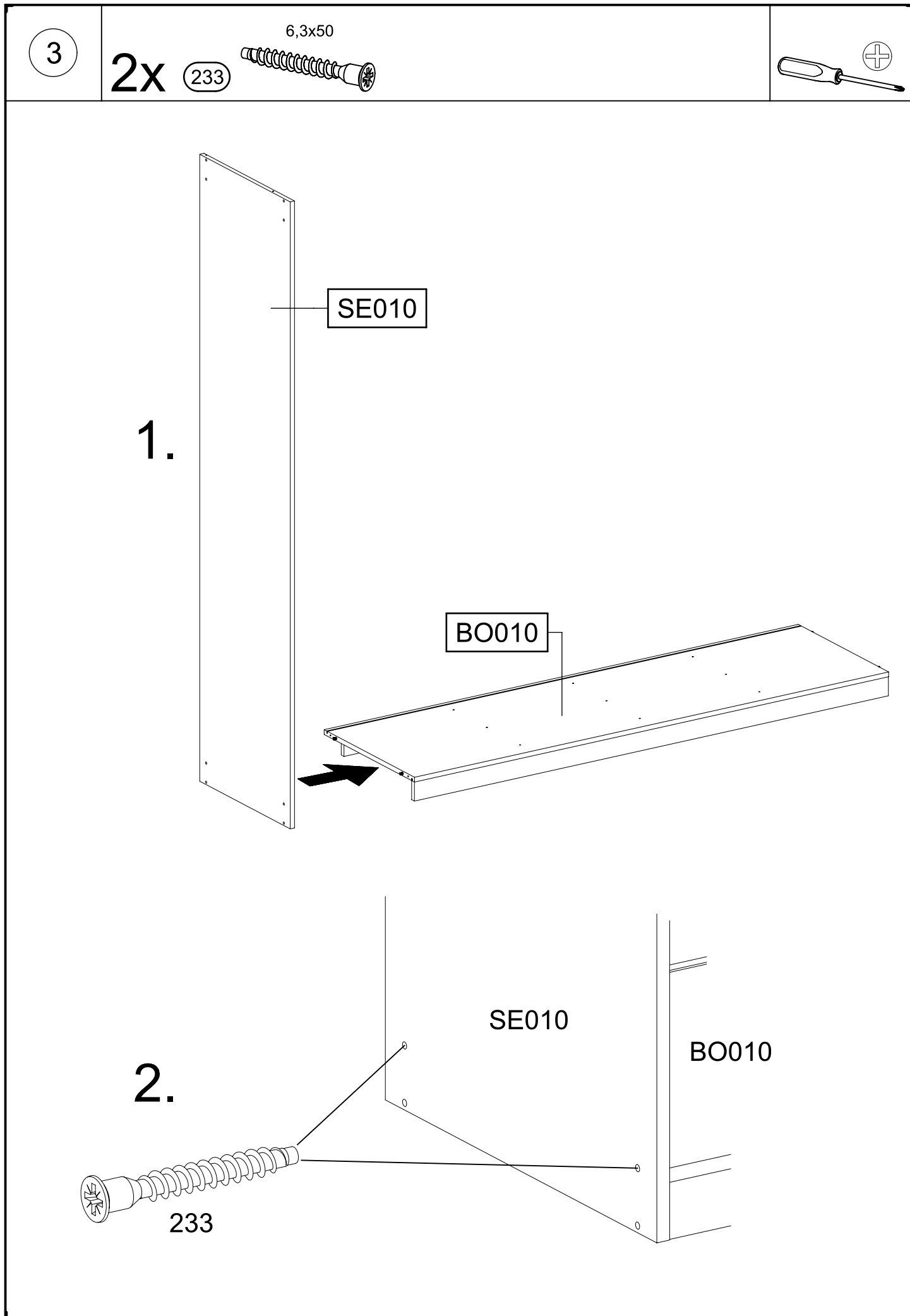
1



2

4x 18 8x30

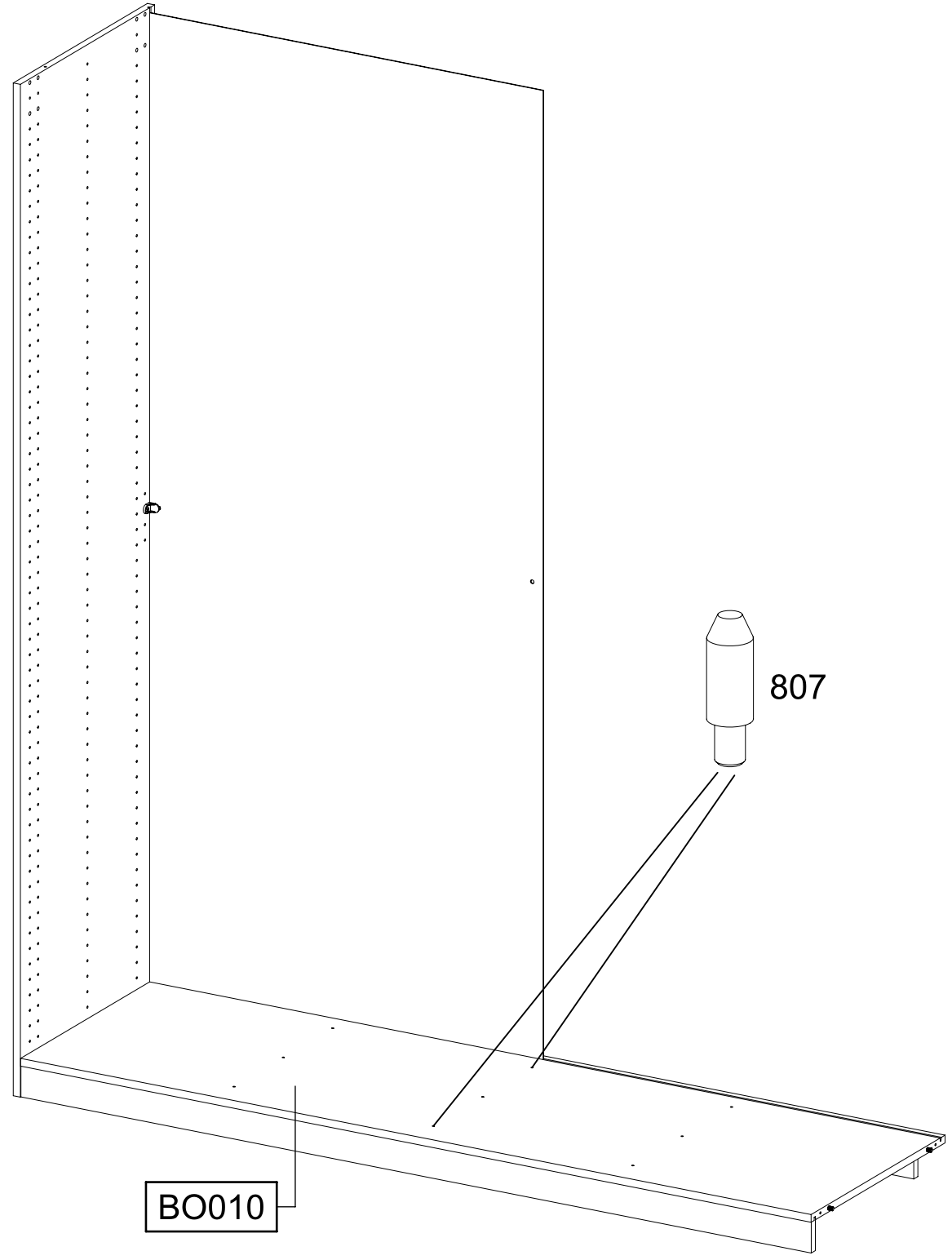
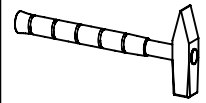
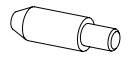




5

2x

807



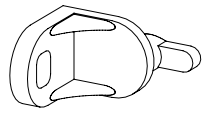
BO010

807

6

1x

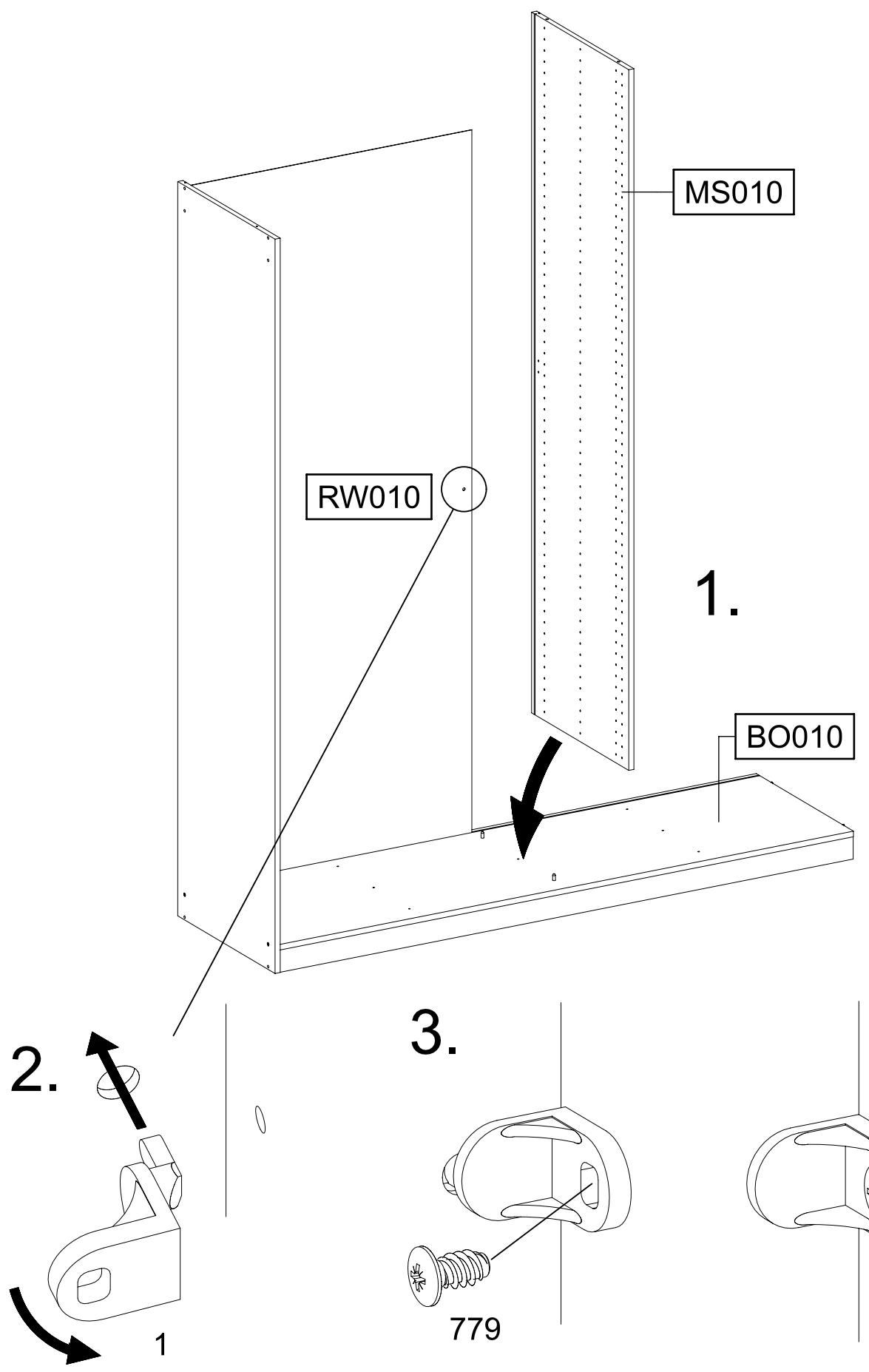
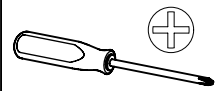
1



1x

779

6,5x12



MS010

RW010

1.

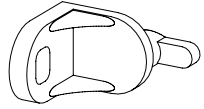

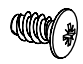
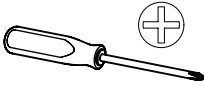
BO010

2.

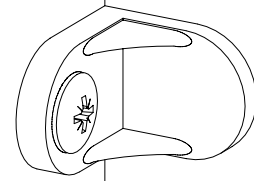
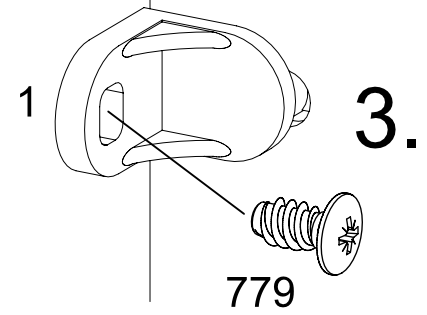
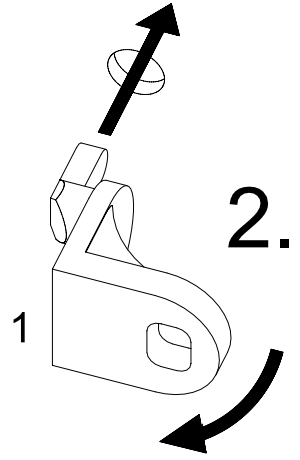
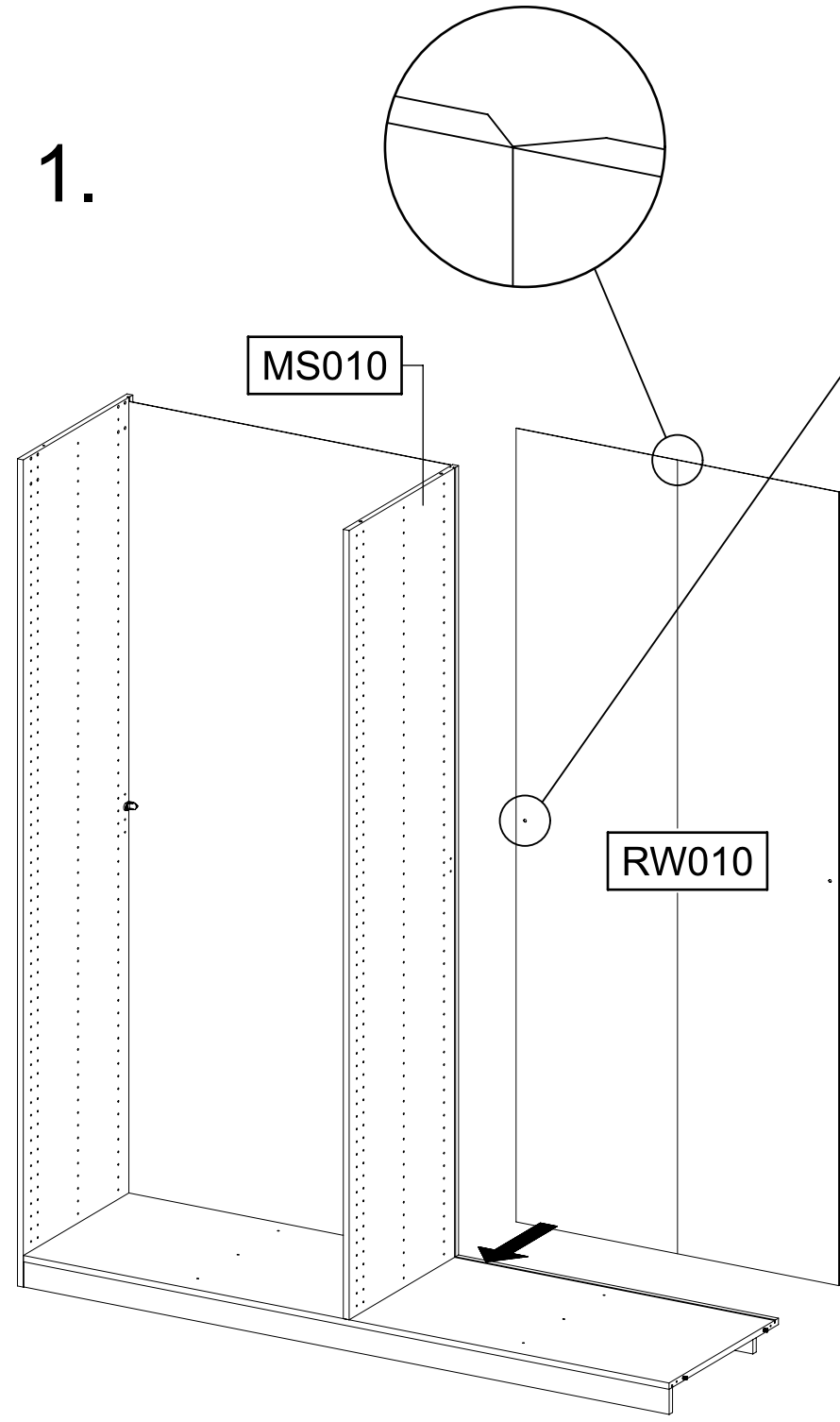
3.

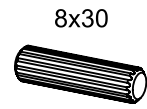
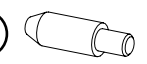
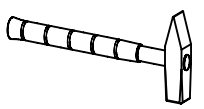
779

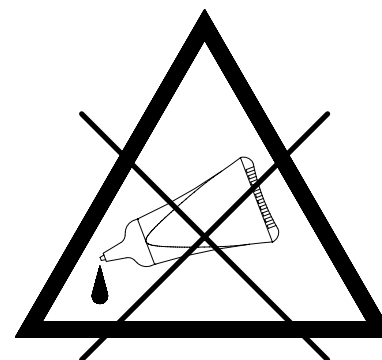
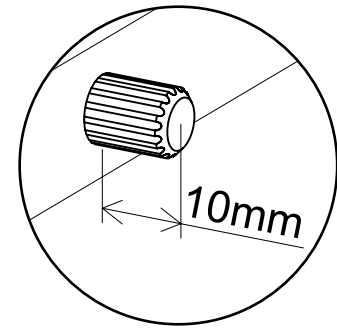
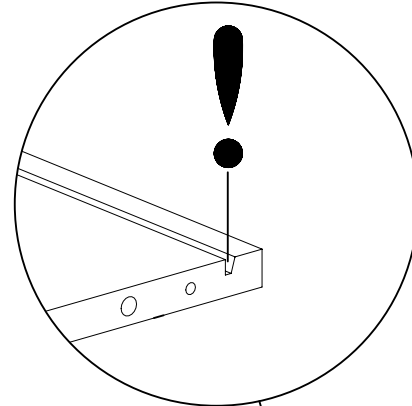
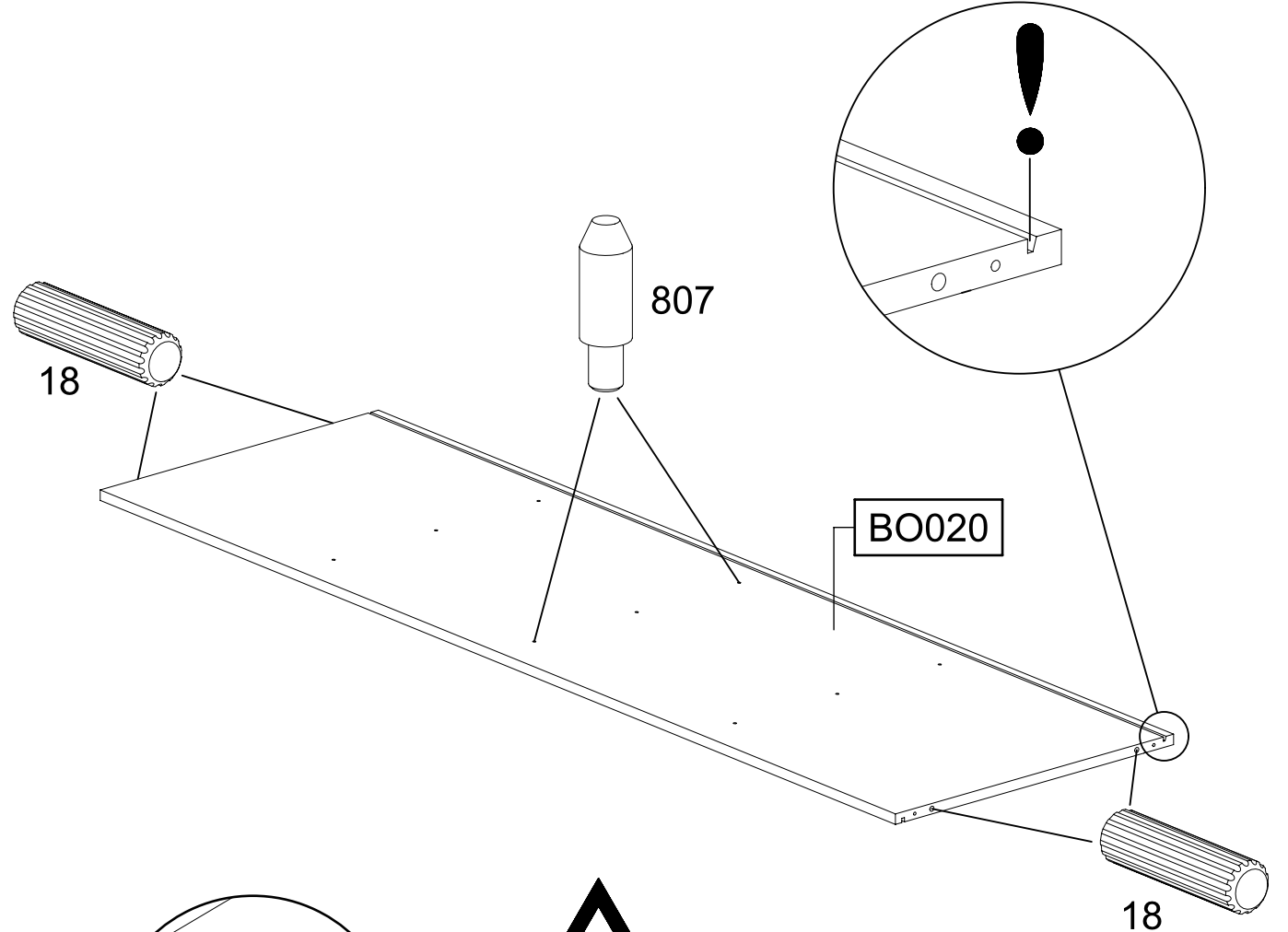
1

- 7
- 1x 1 
- 1x  6,5x12 
- 

1.

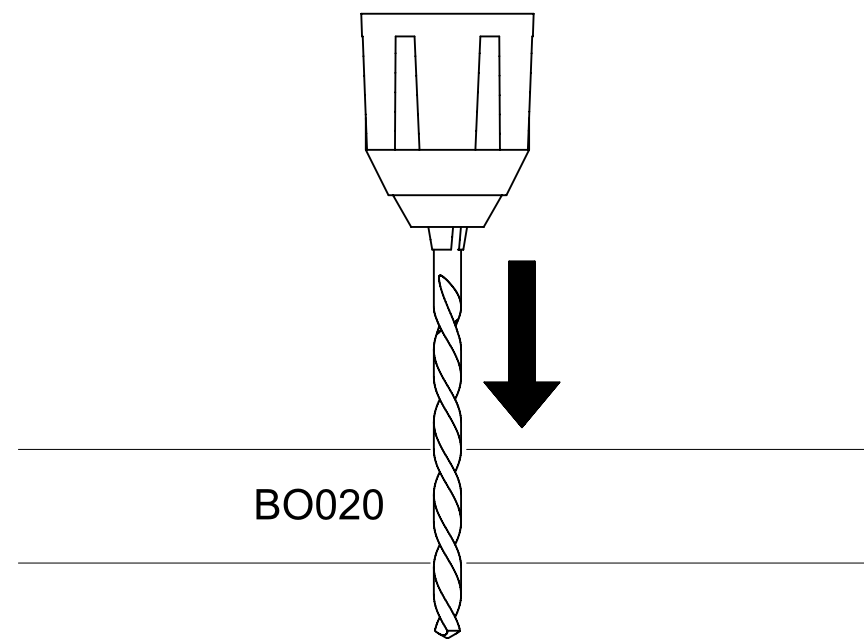
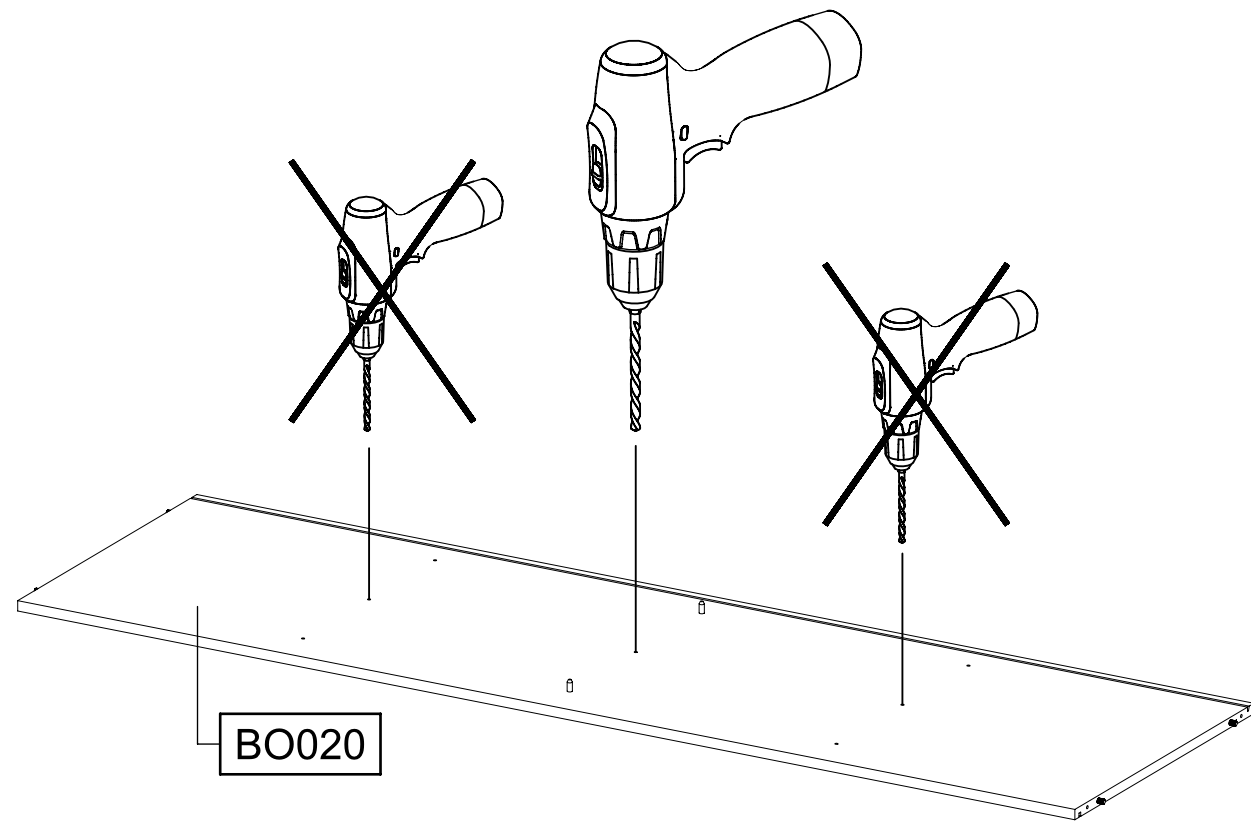


- 8
- 4x 18  8x30
- 2x 807 
- 



9

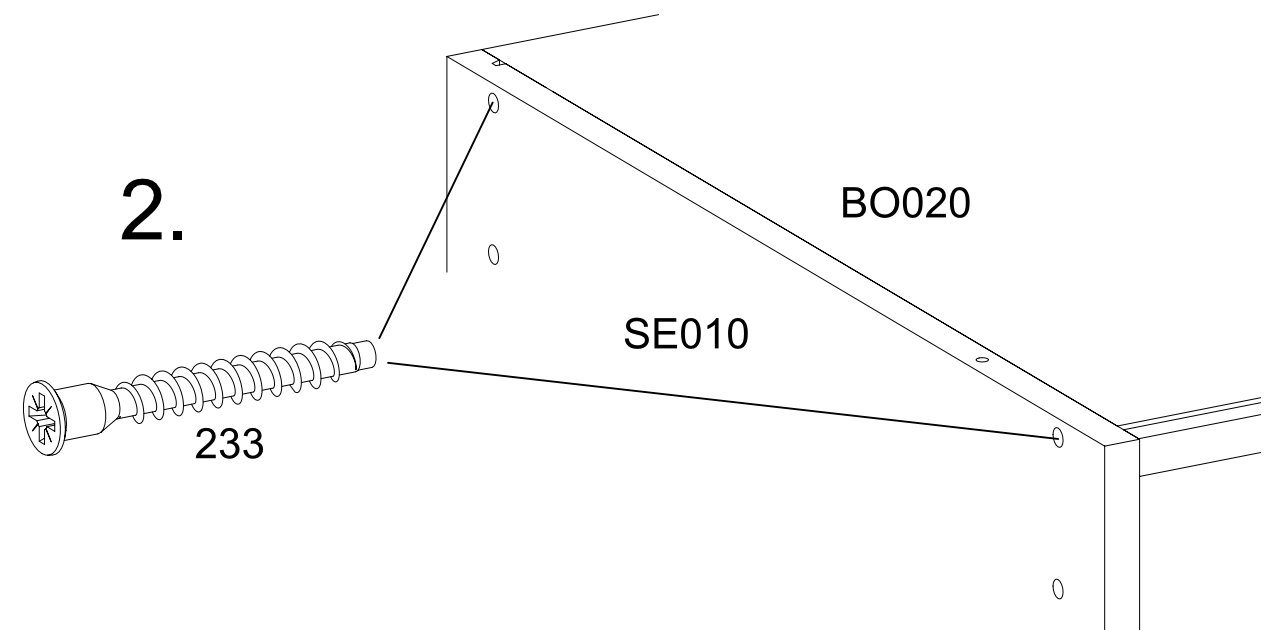
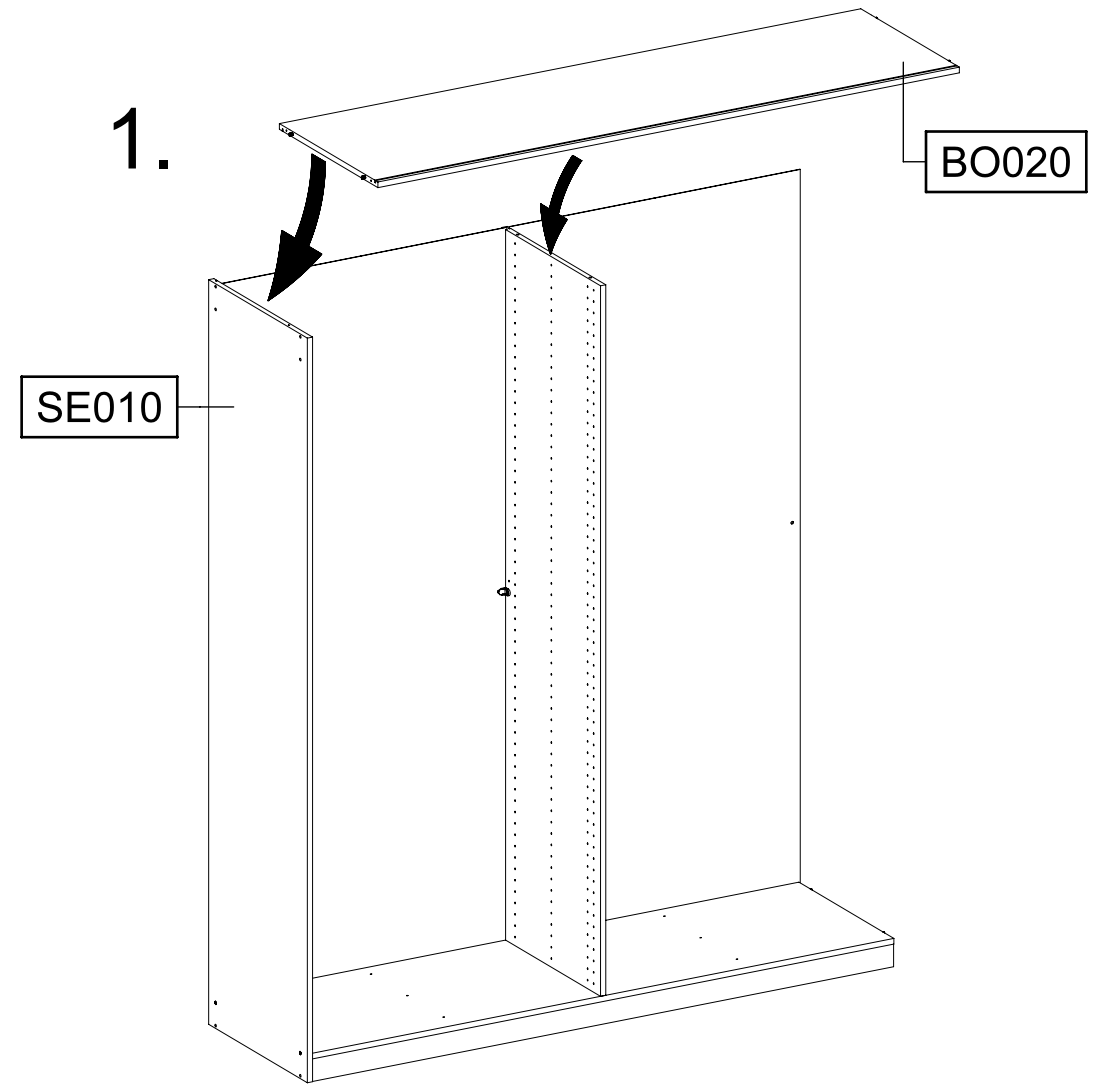
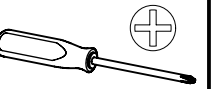
Ø5mm



10

2x (233)

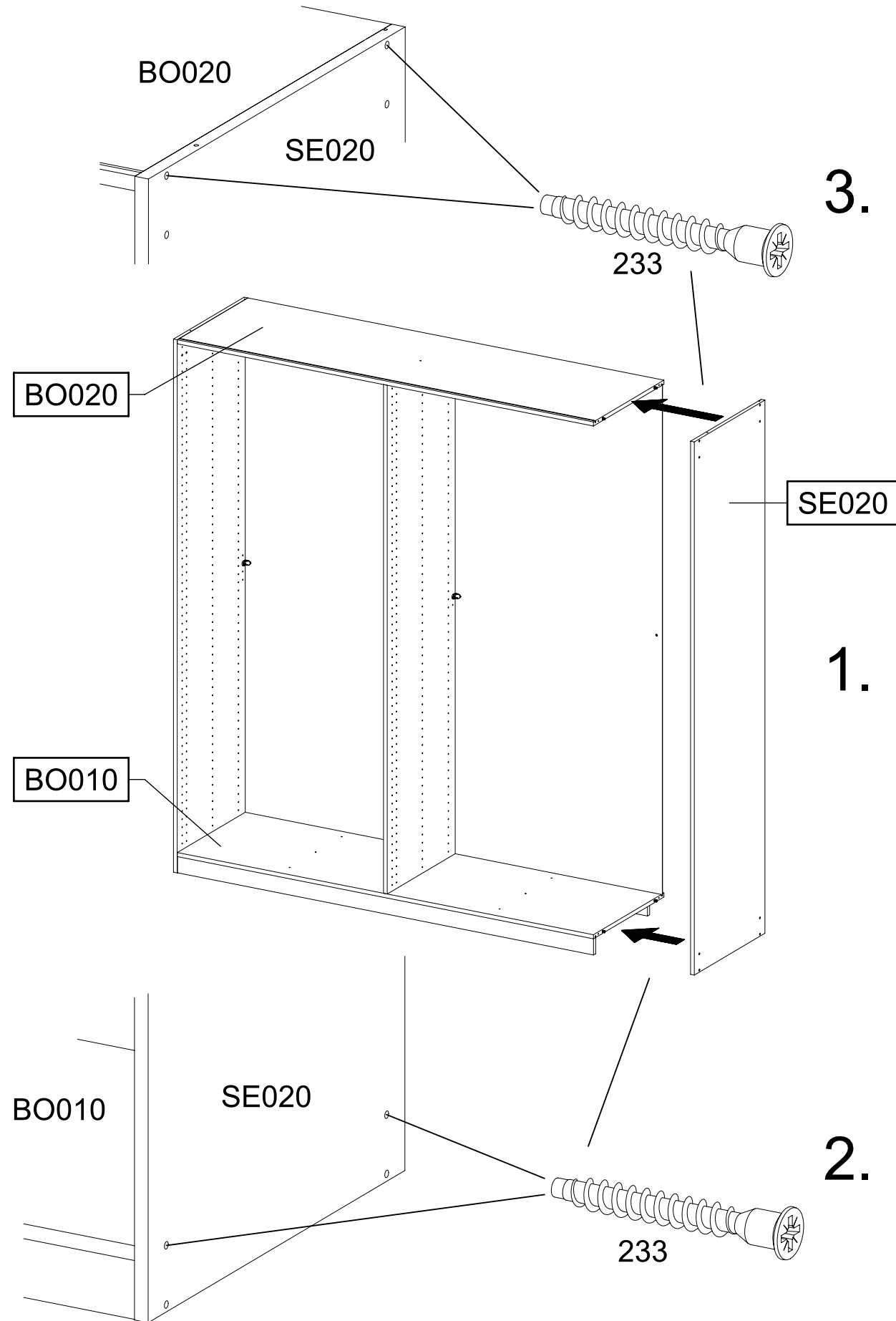
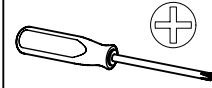
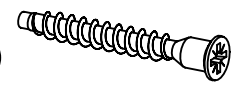
6,3x50



11

4x 233

6,3x50



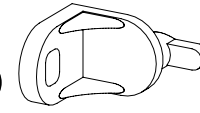
3.

1.

2.

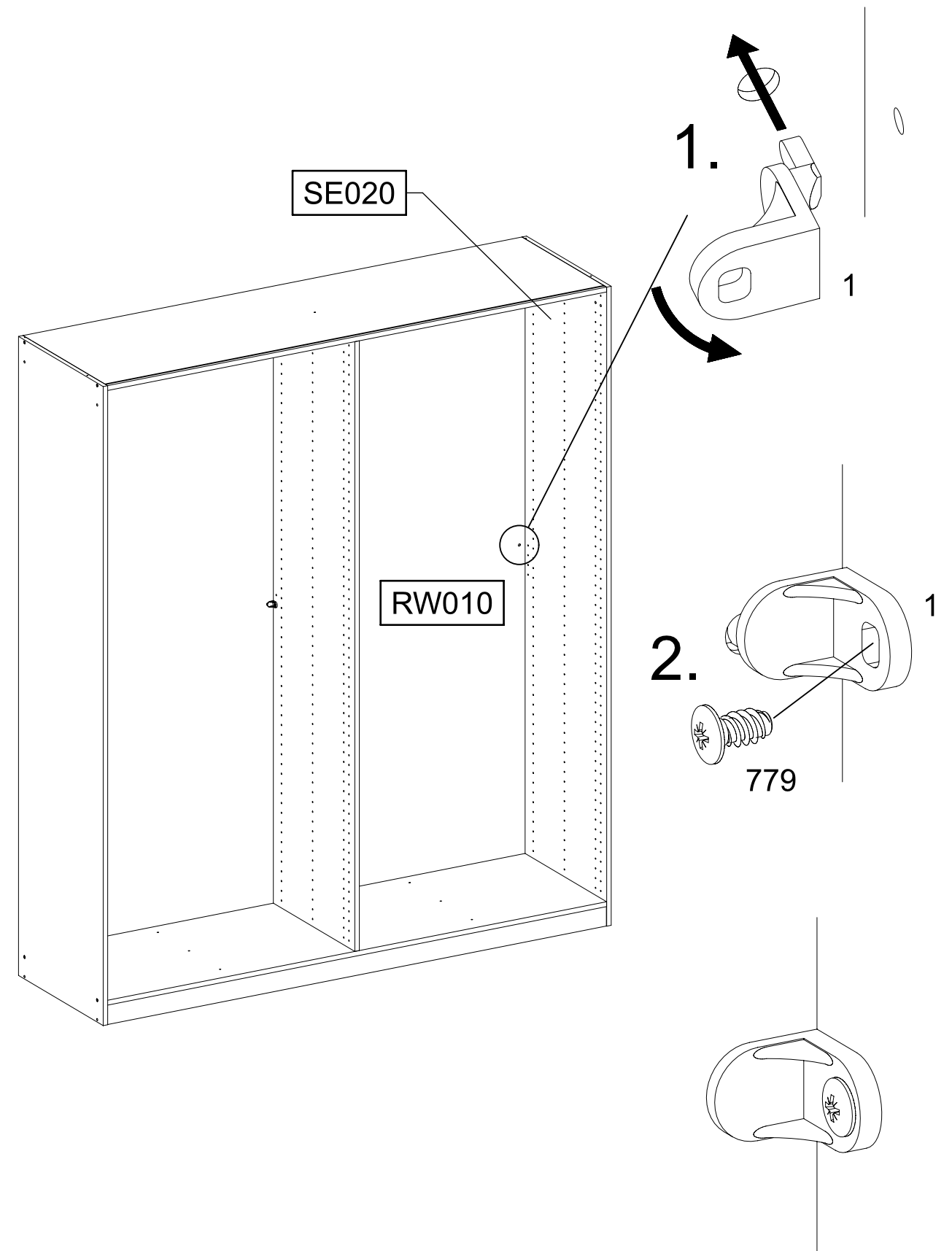
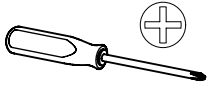
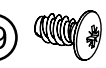
12

1x 1



1x 779

6,5x12



1.

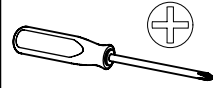
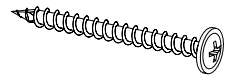
2.

13

1x

296

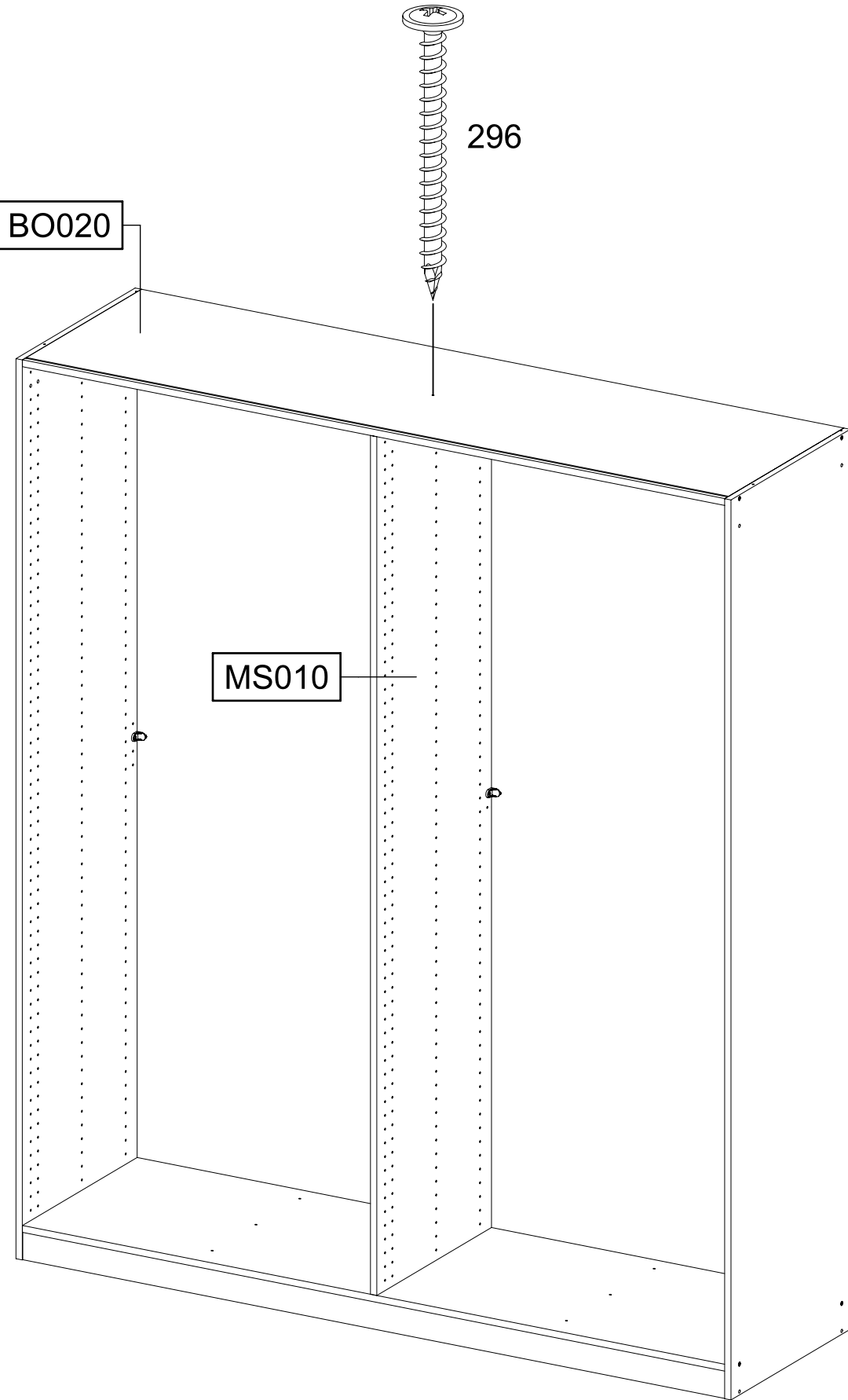
4,5x50



296

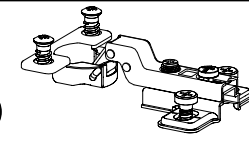
BO020

MS010



14

116



4x

116

3x

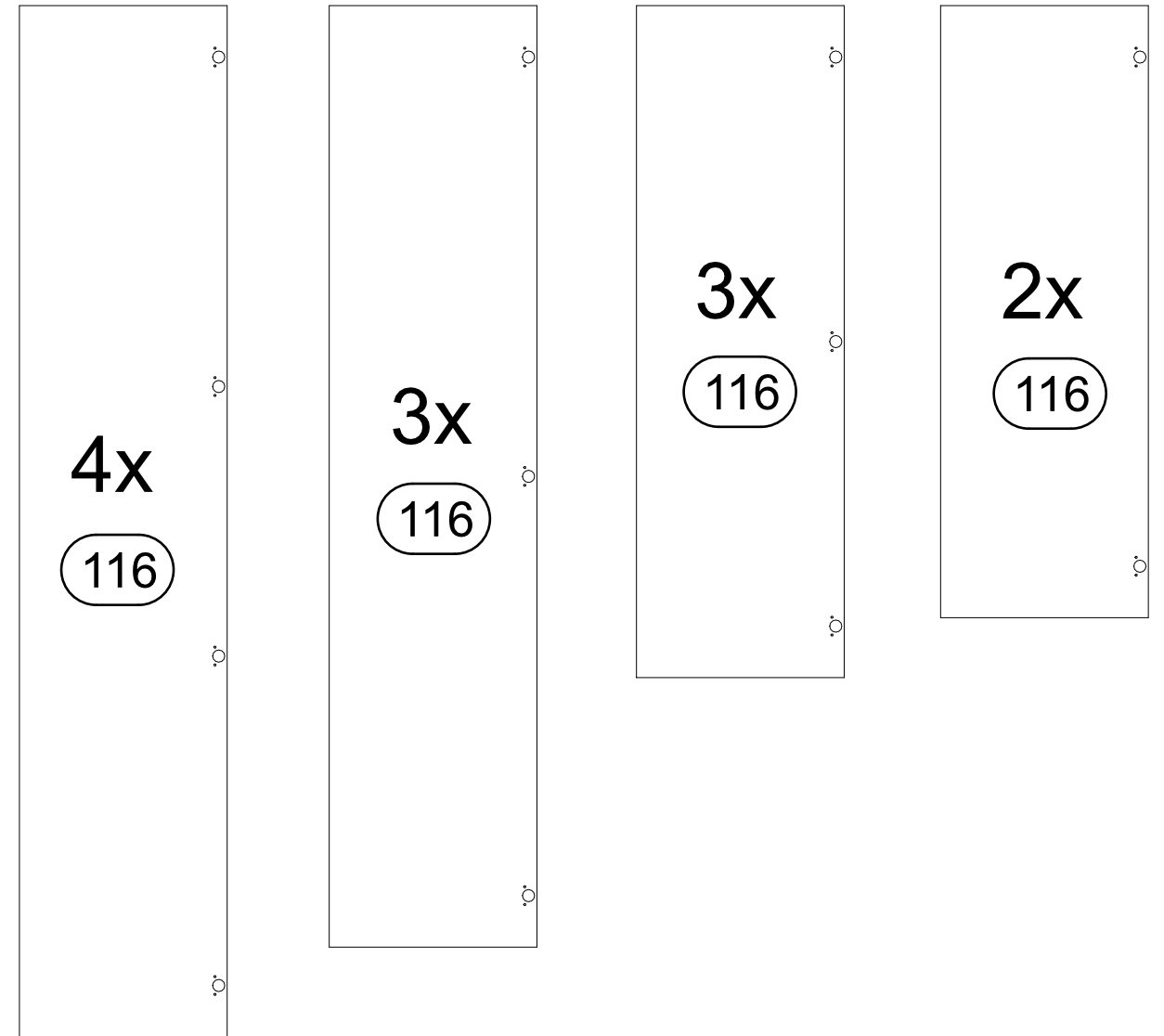
116

3x

116

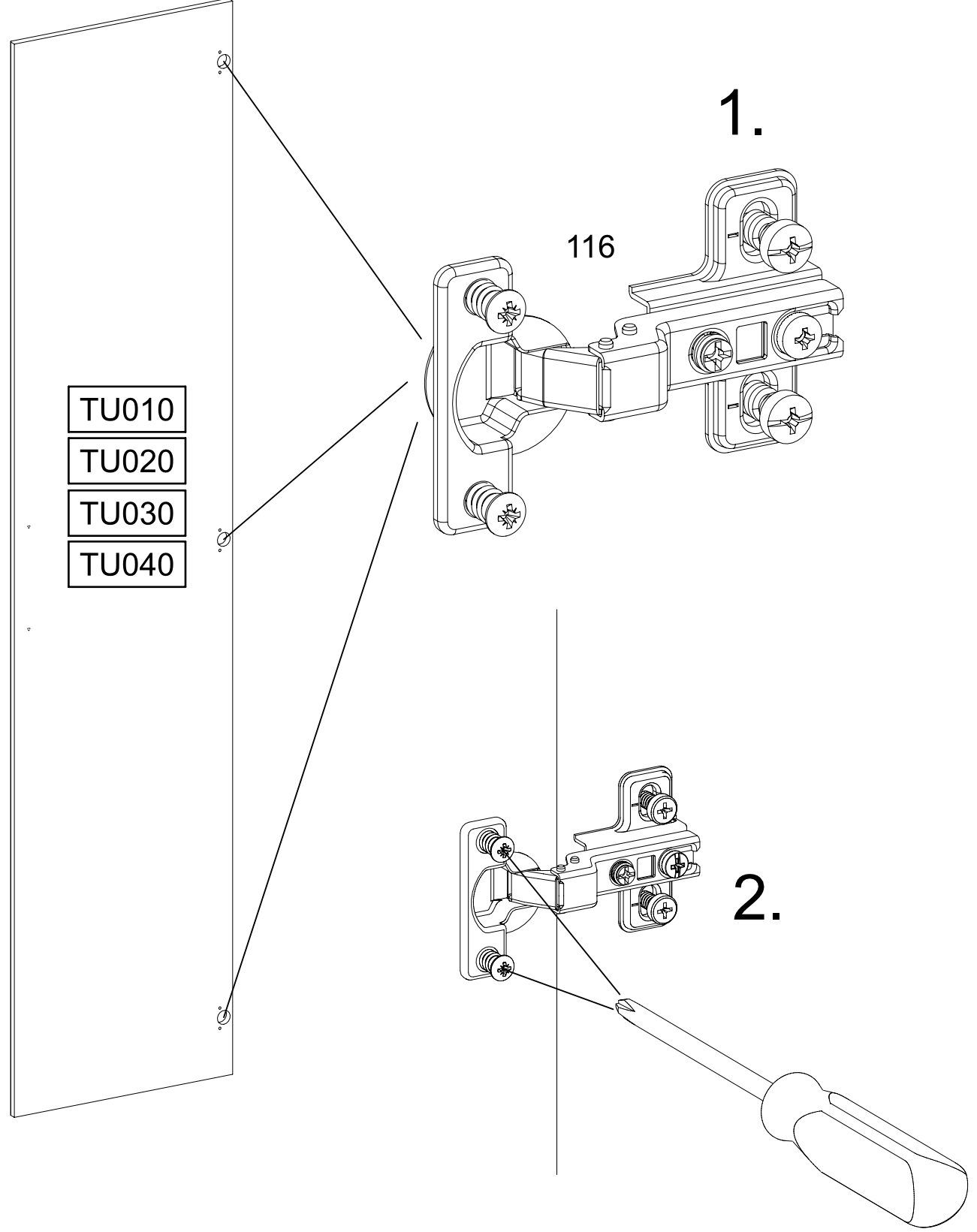
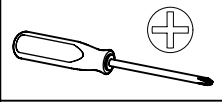
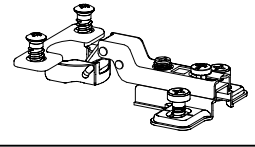
2x

116

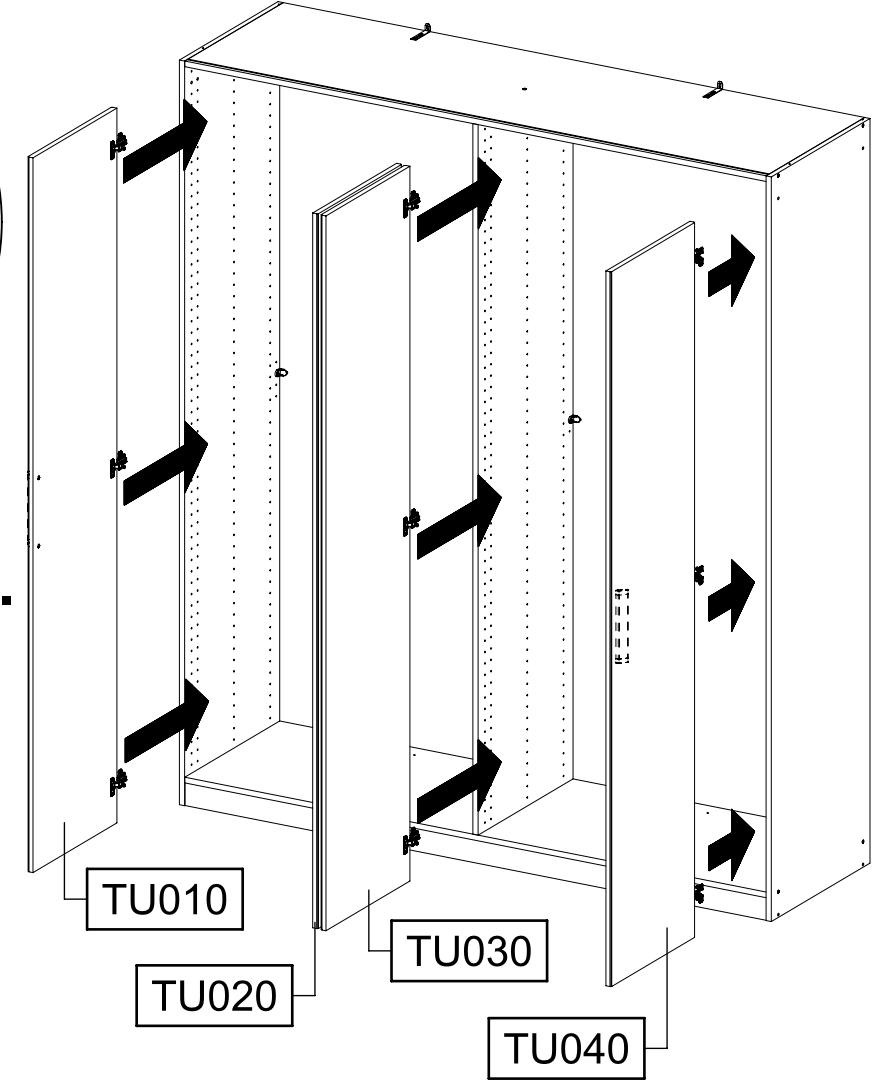
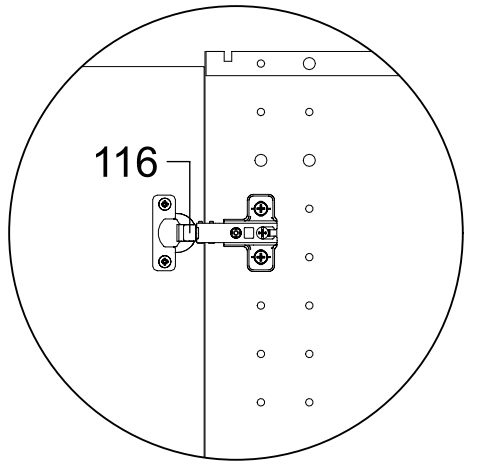
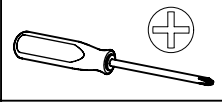


15

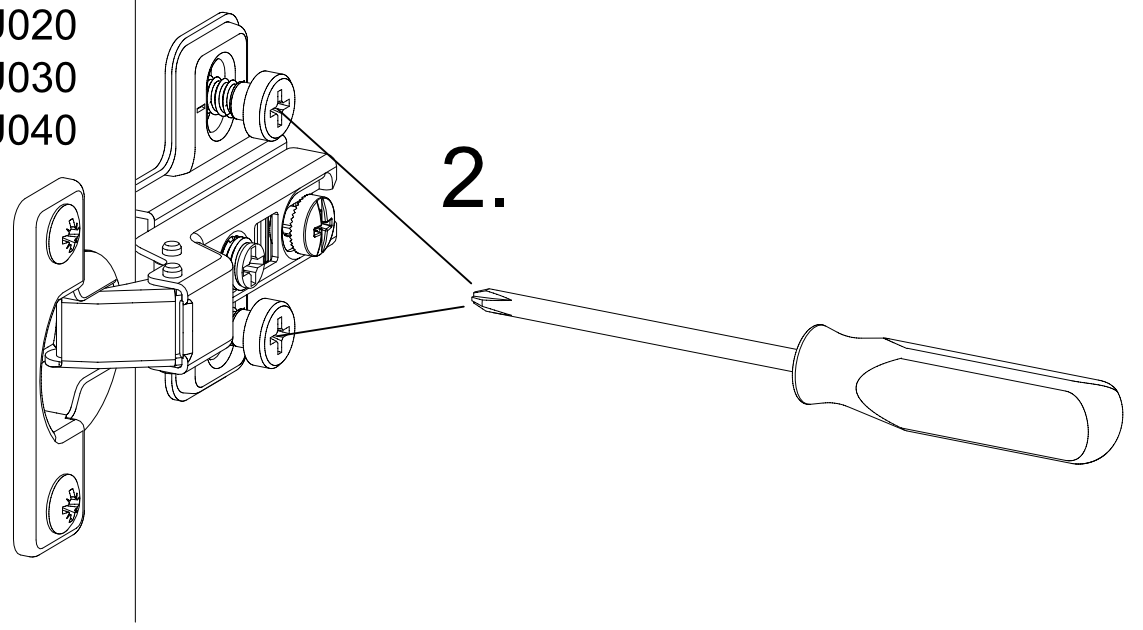
12x 116



16



TU010  
TU020  
TU030  
TU040

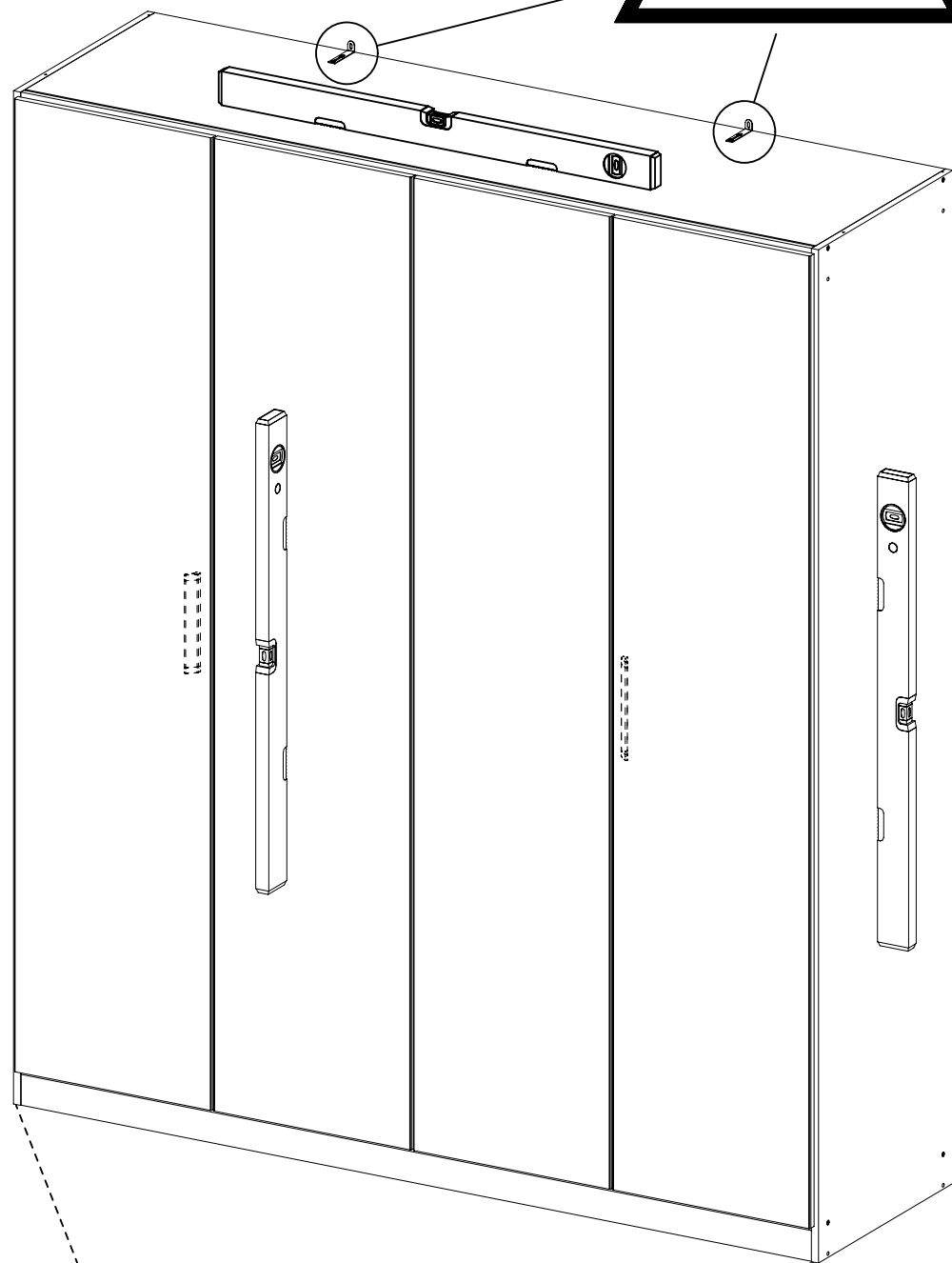
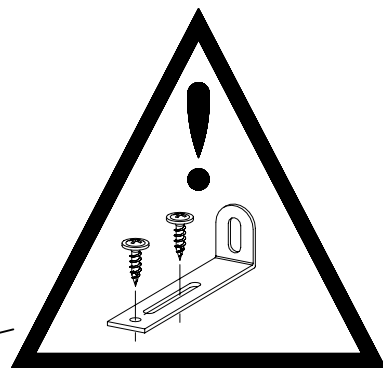
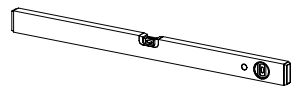
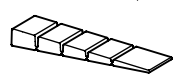


17

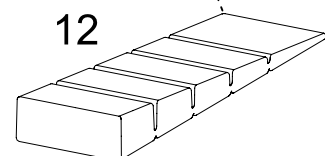
2x

12

55x16x6,2



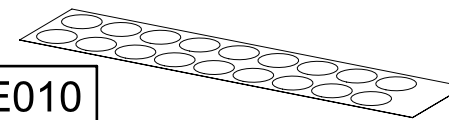
12



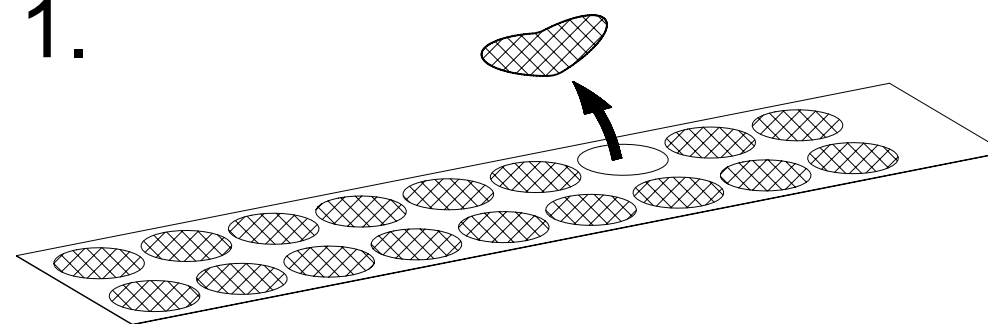
18

1x

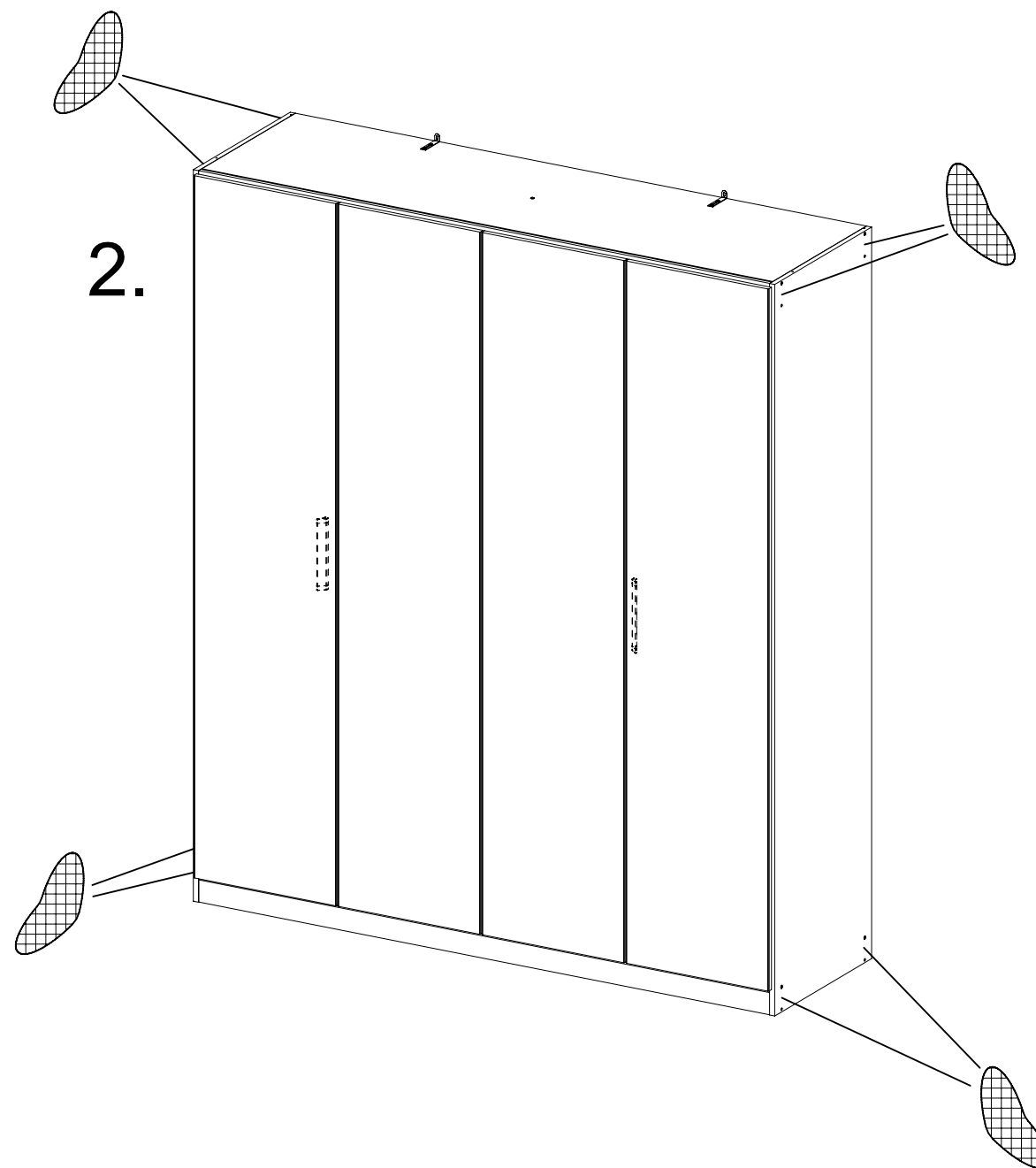
RE010



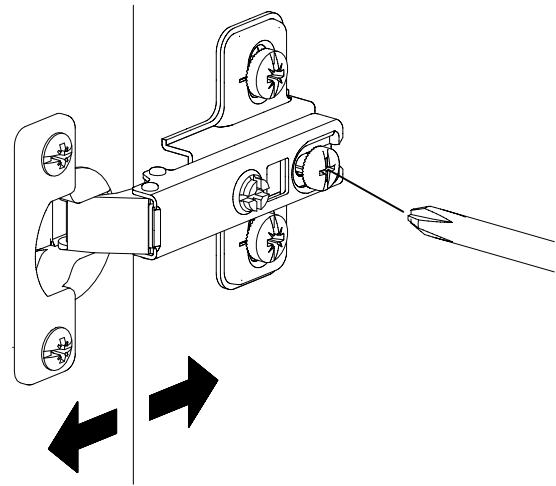
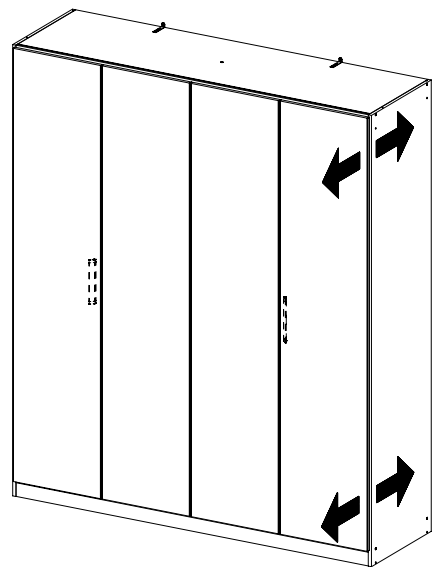
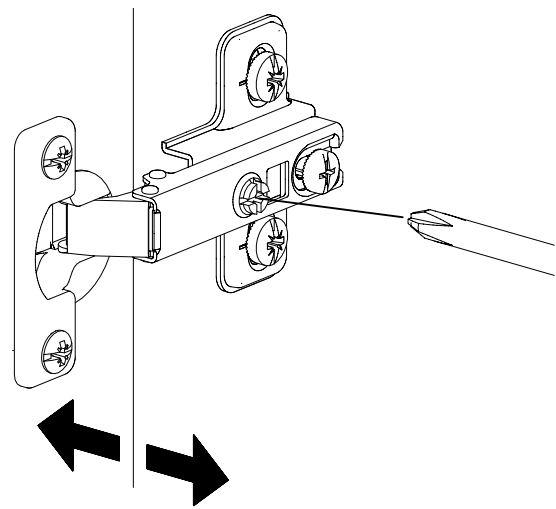
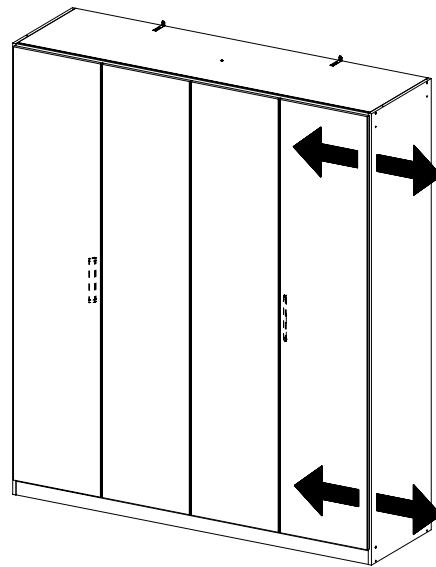
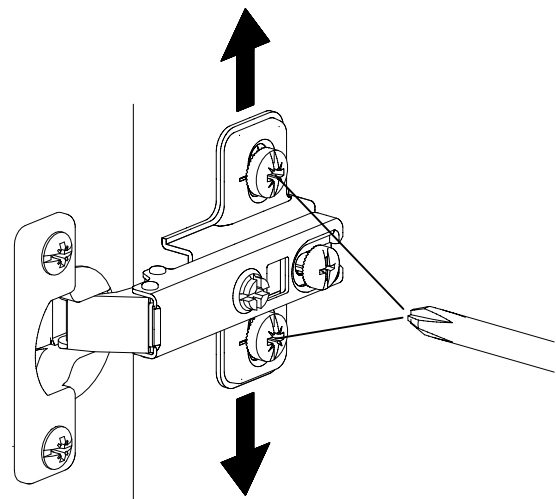
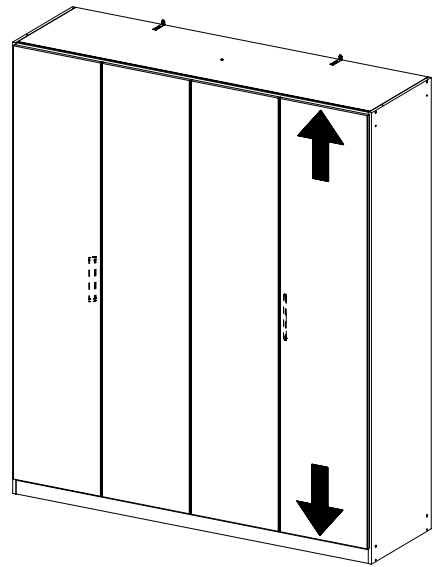
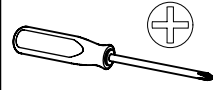
1.



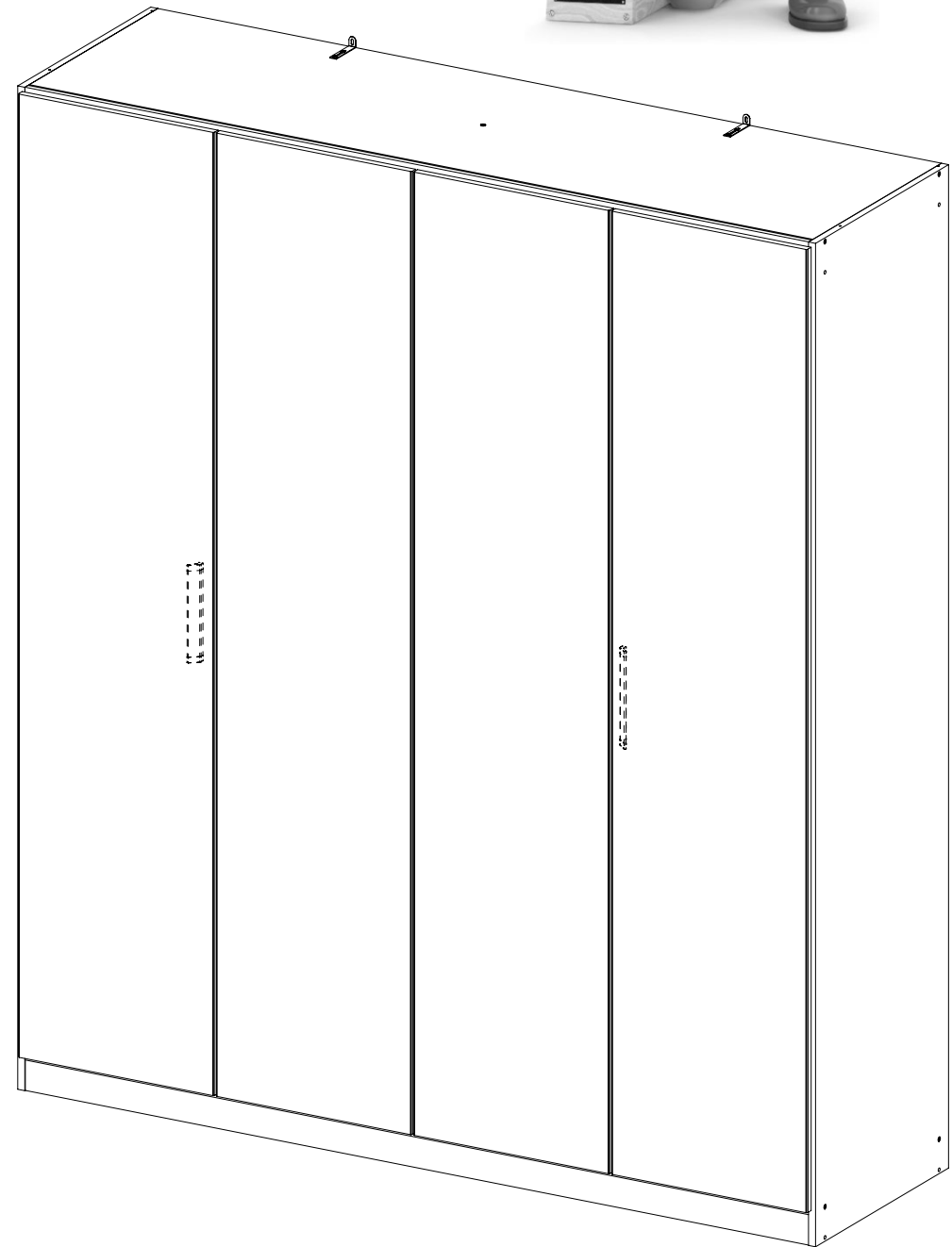
2.



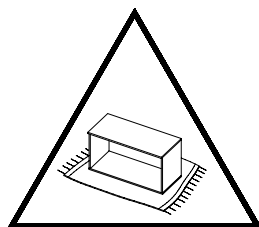
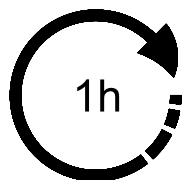
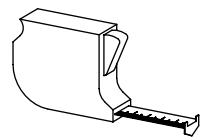
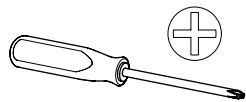
19



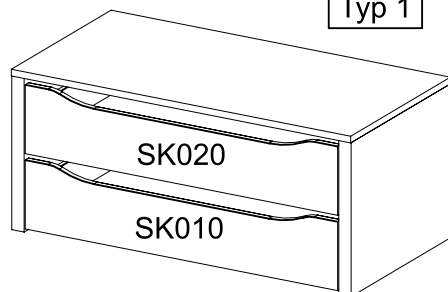
20



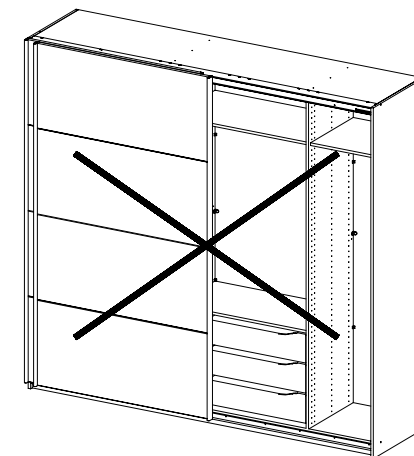
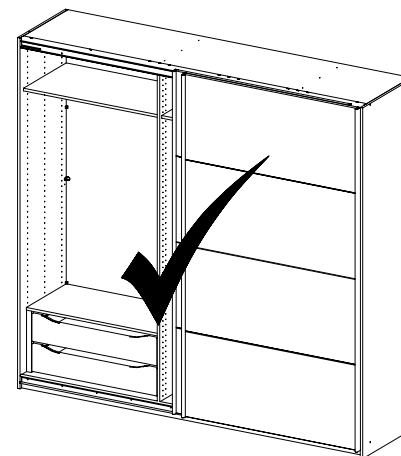
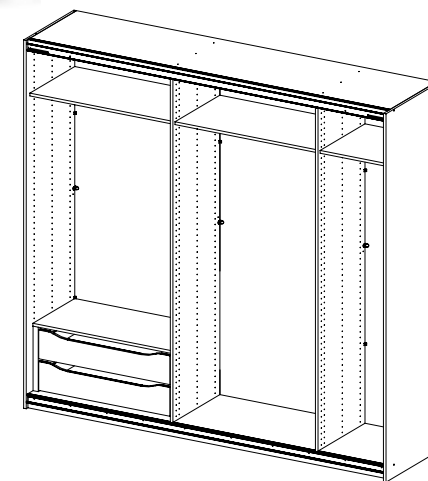
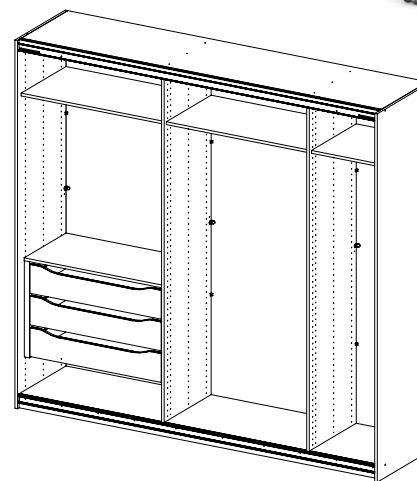
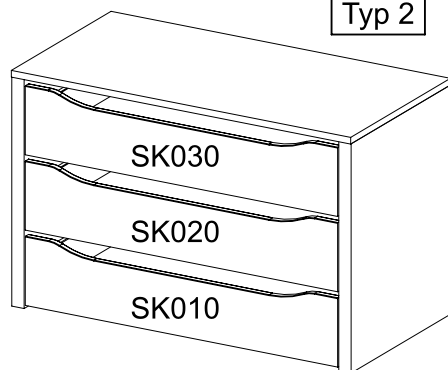
M2657\_02

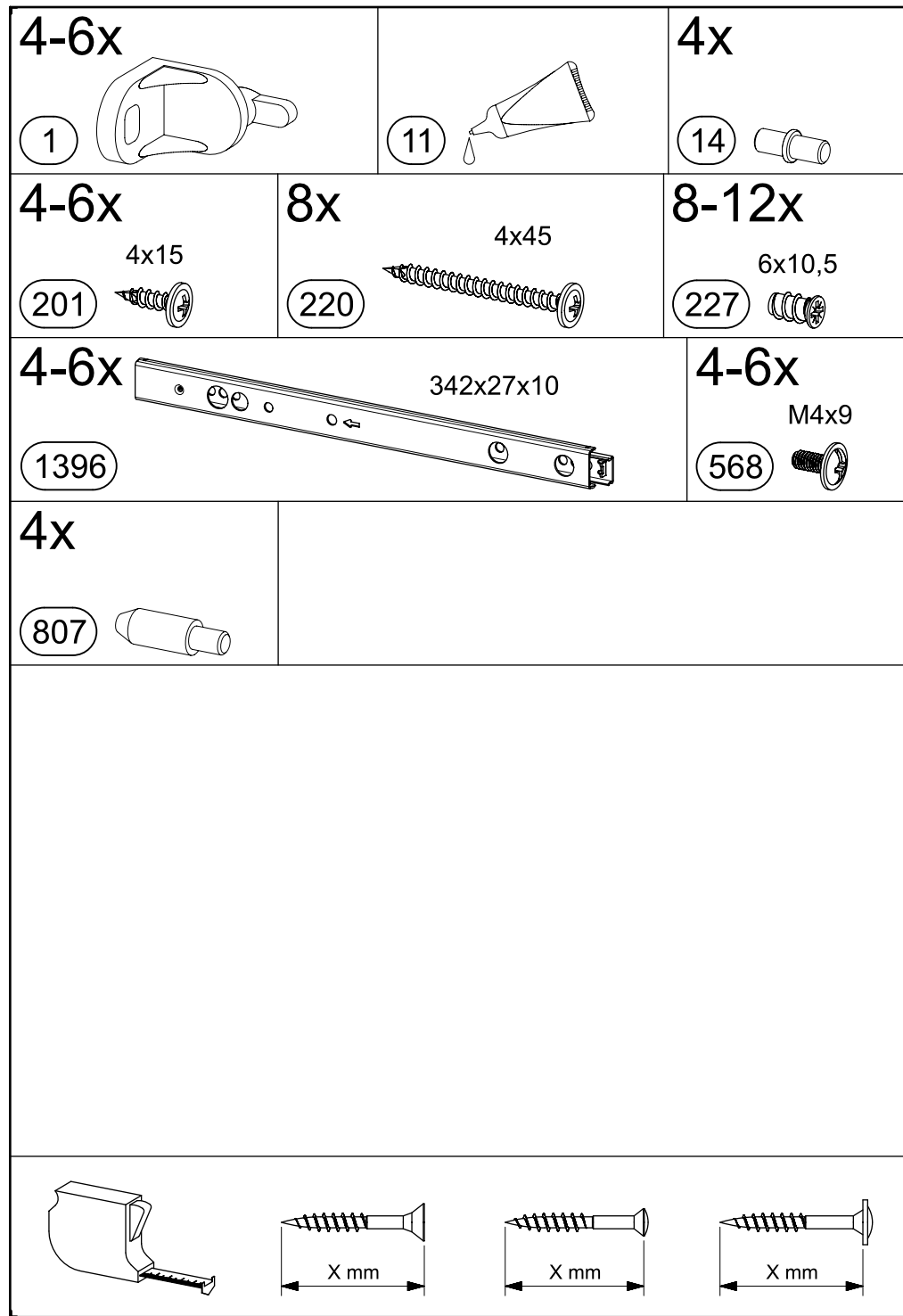
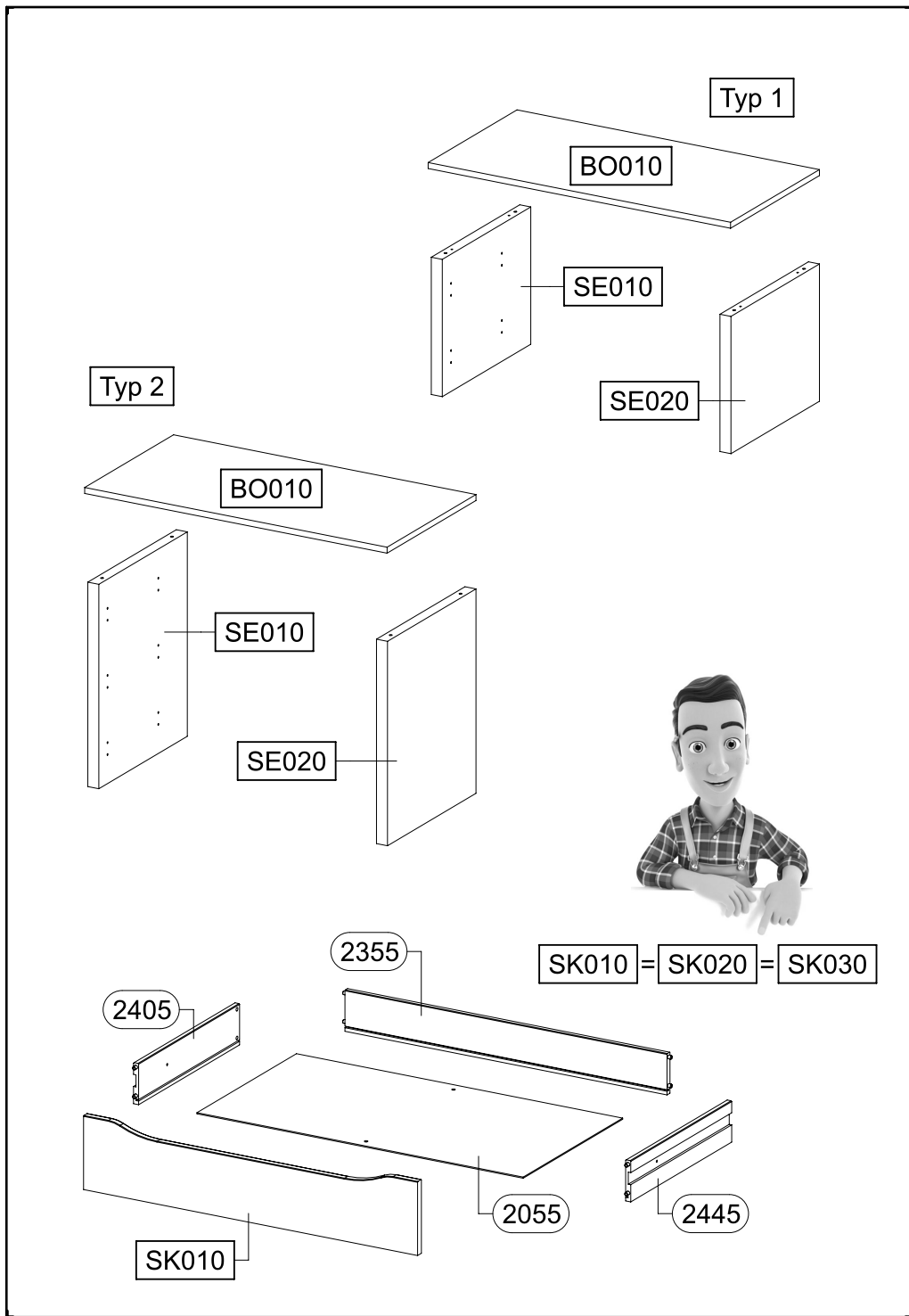


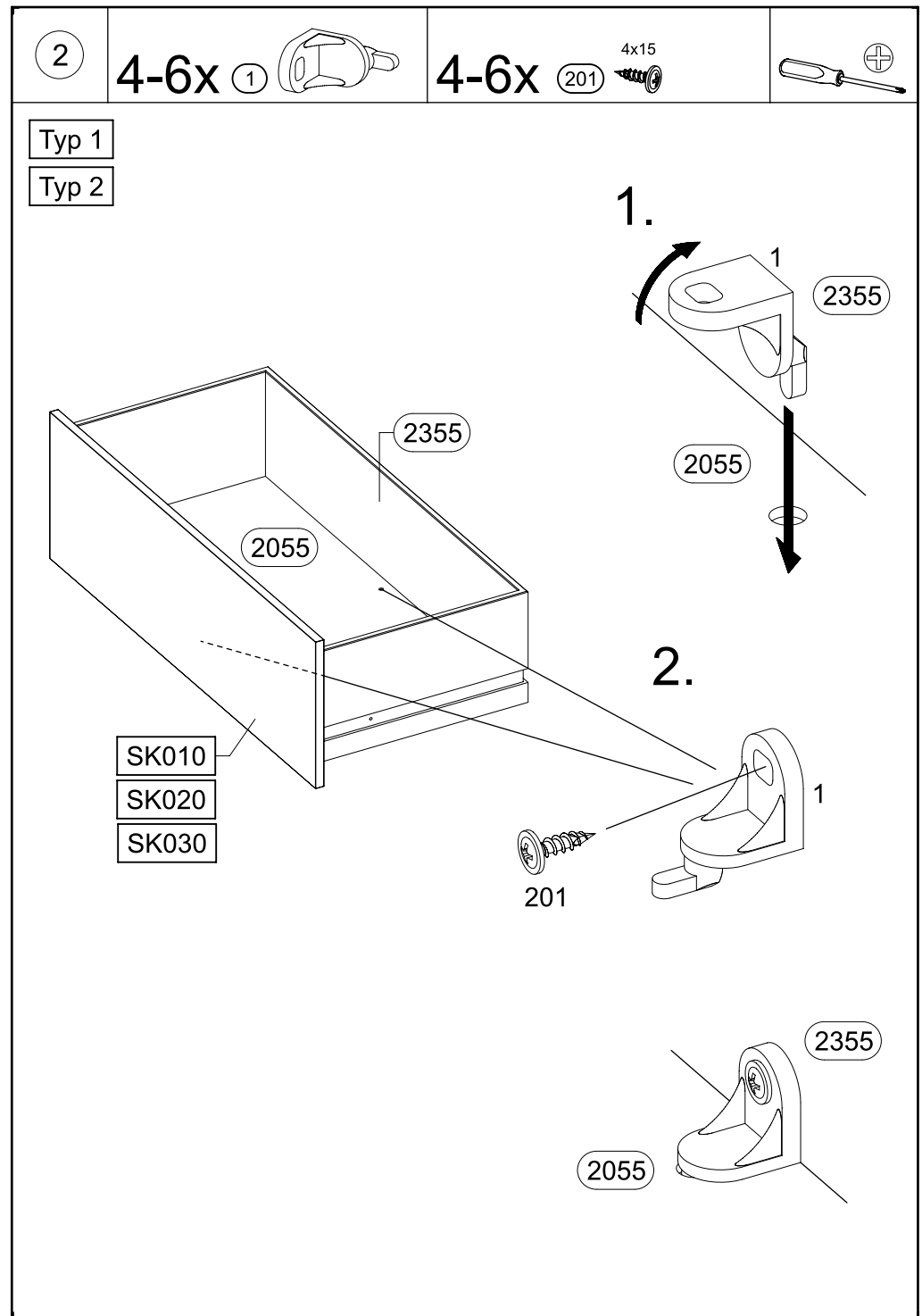
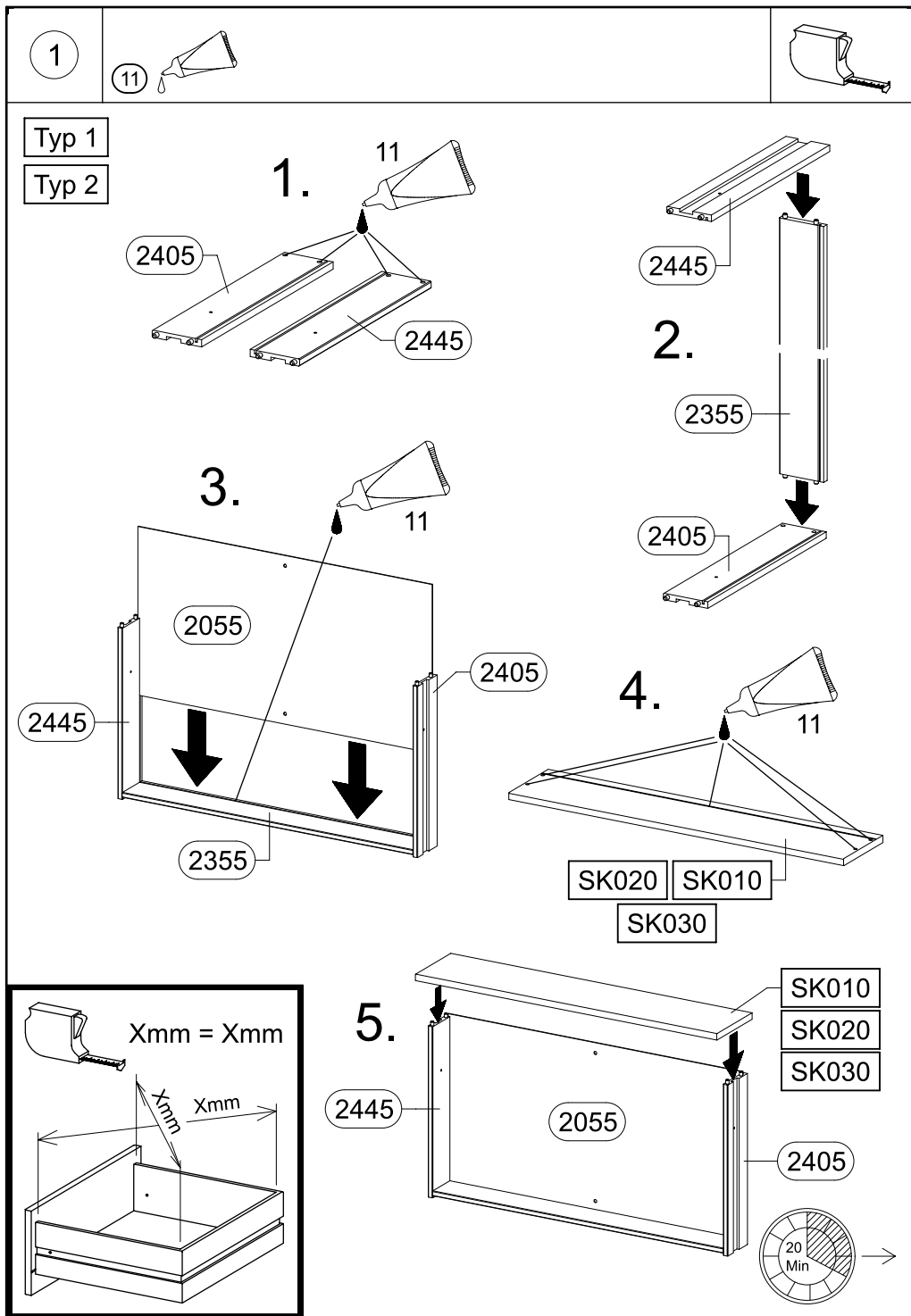
Typ 1



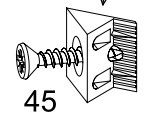
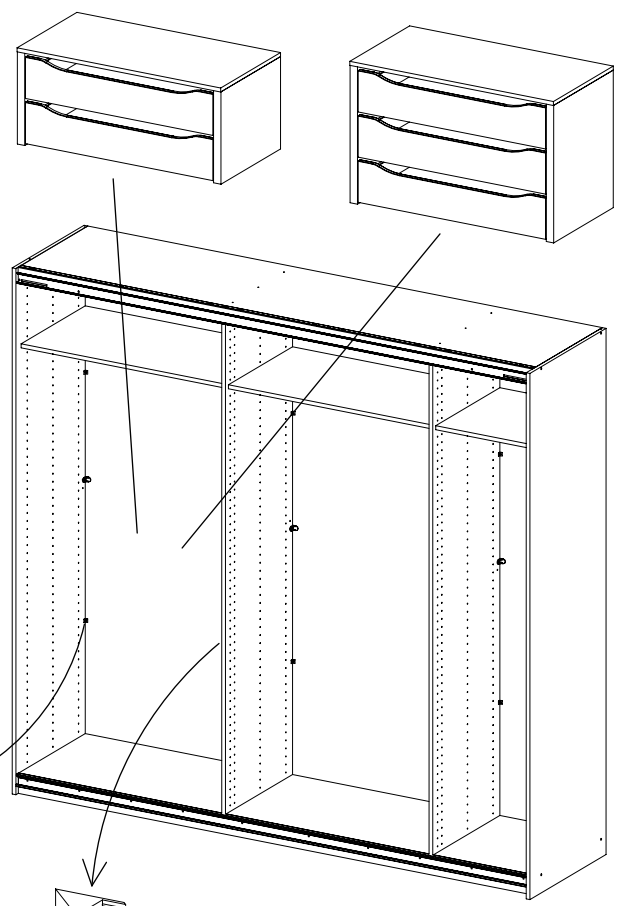
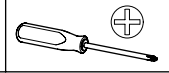
Typ 2







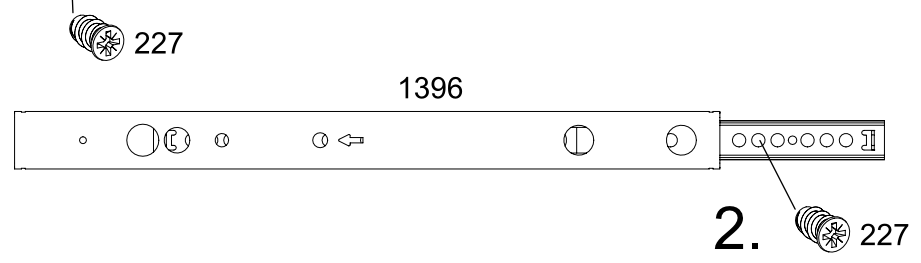
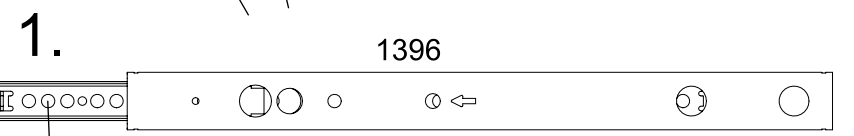
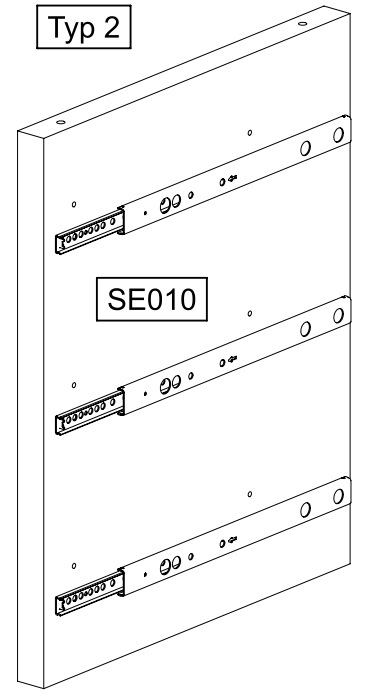
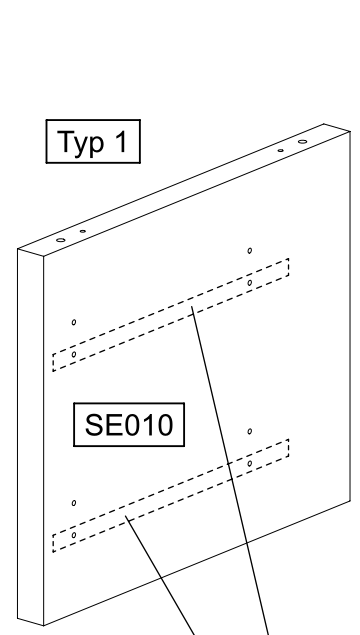
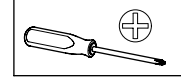
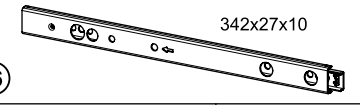
3

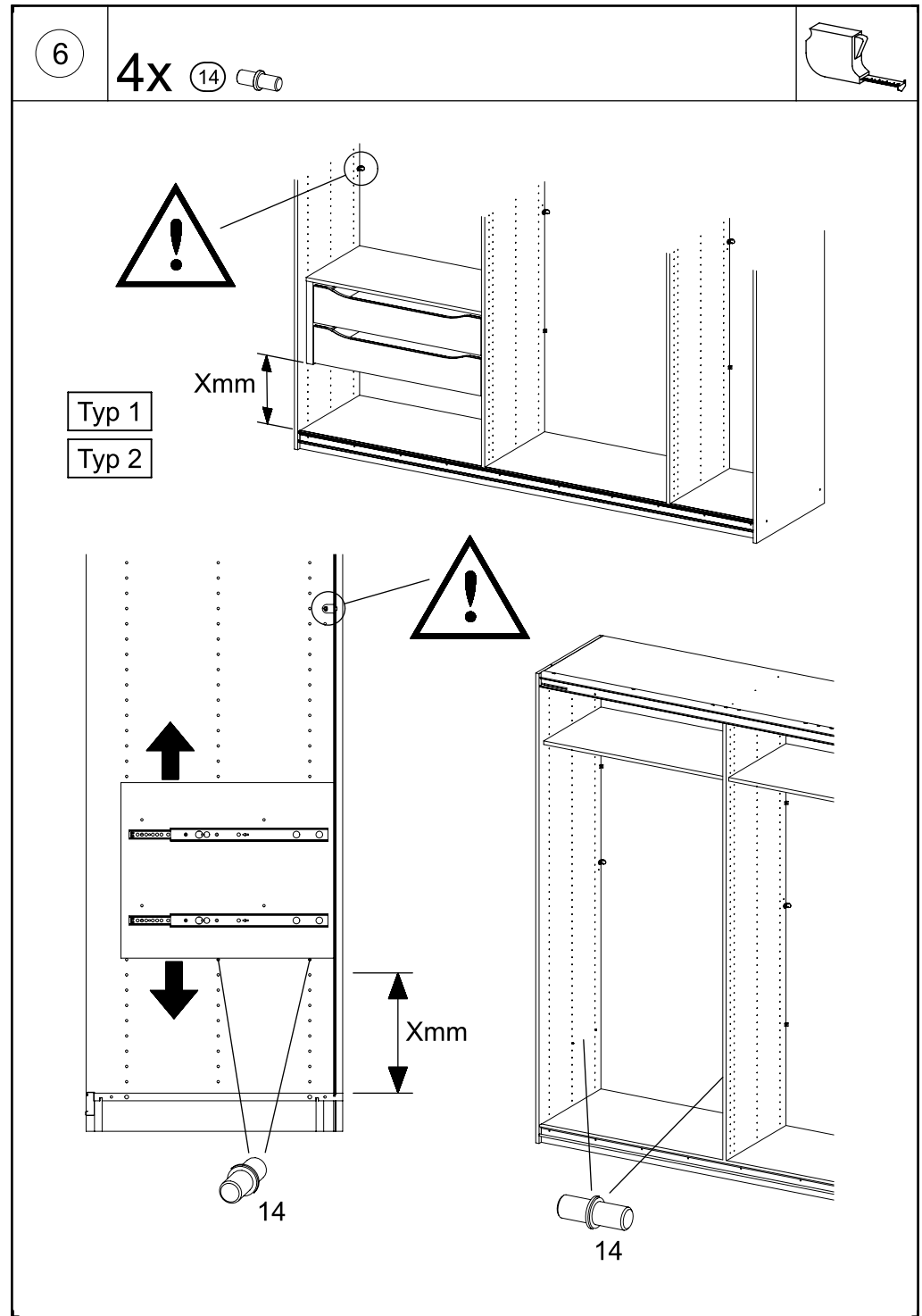
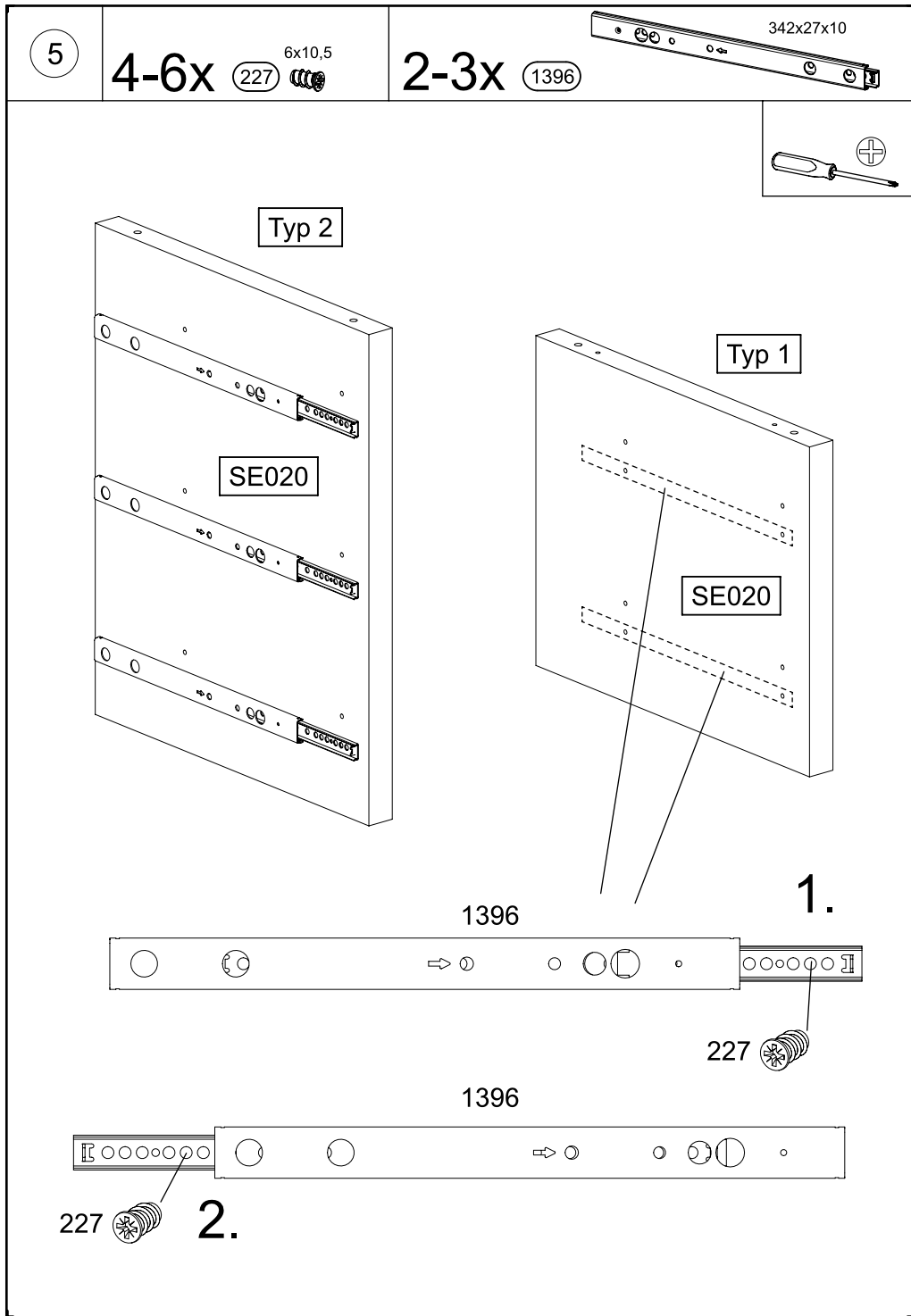


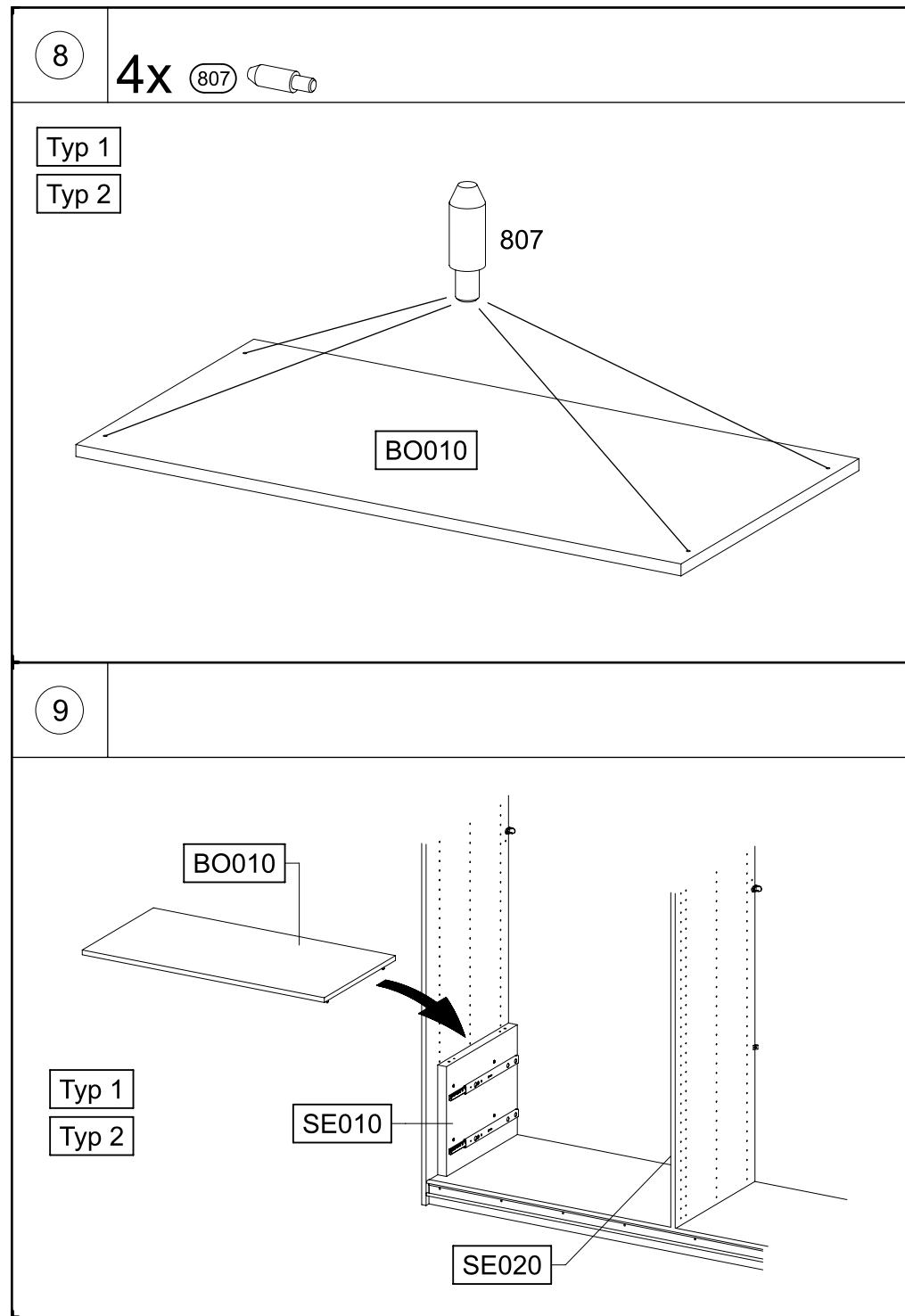
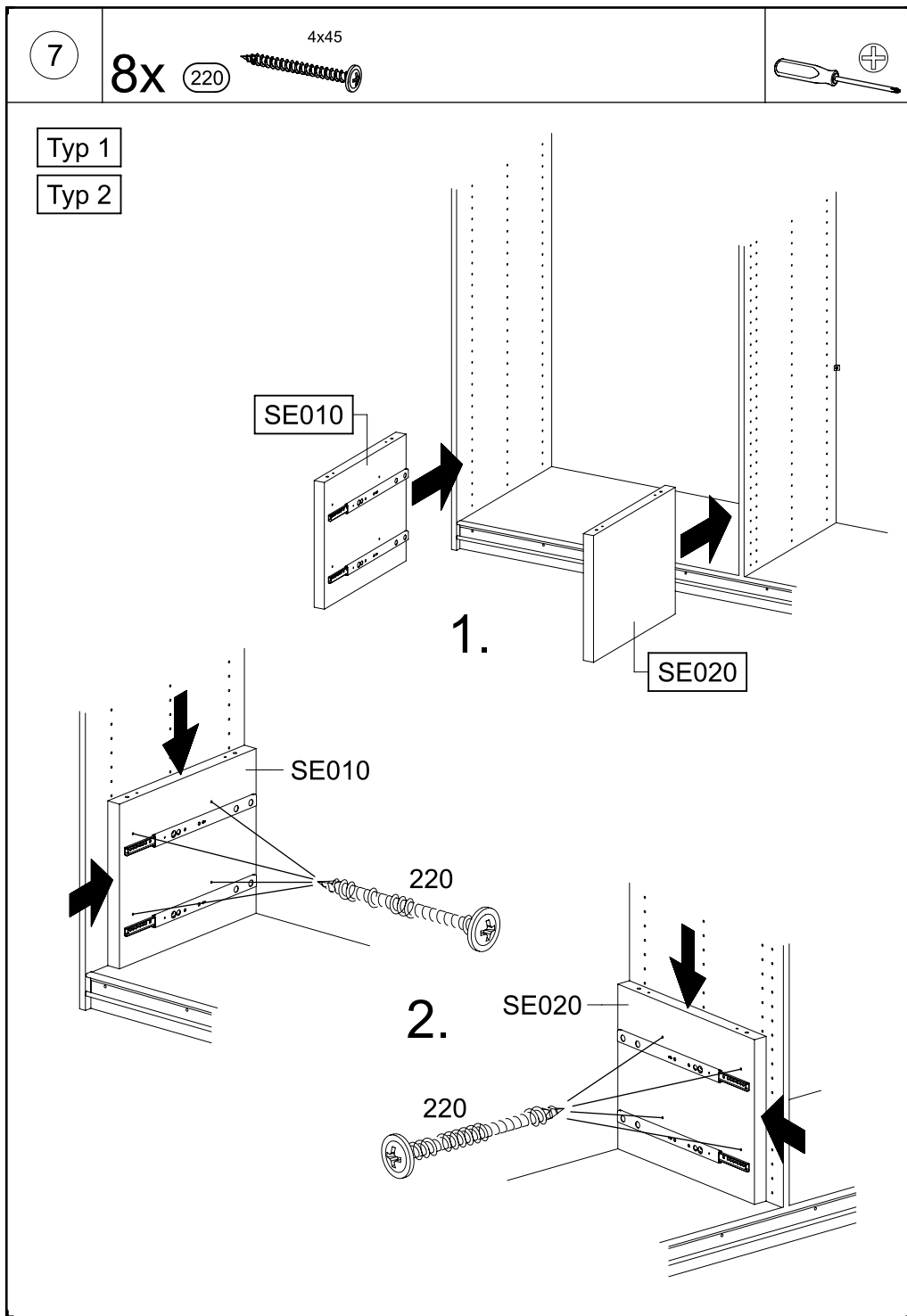
4

4-6x 6x10,5 227

2-3x 1396

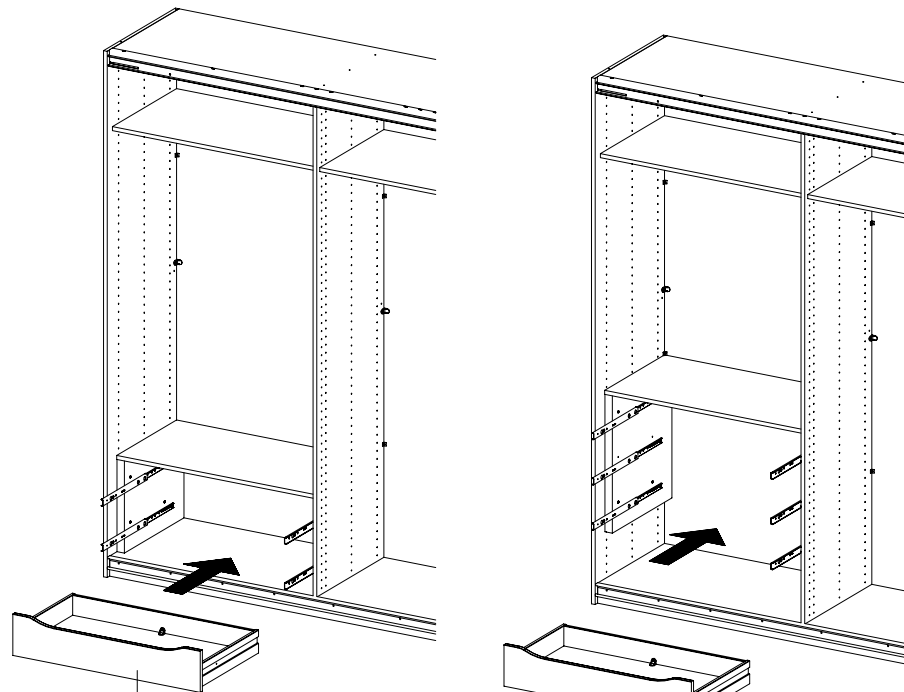
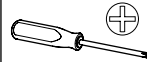






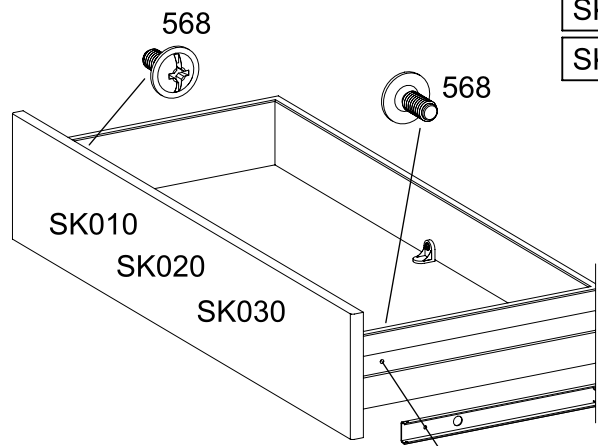
10

4-6x M4x9 568



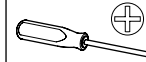
SK010  
SK020

SK010  
SK020  
SK030

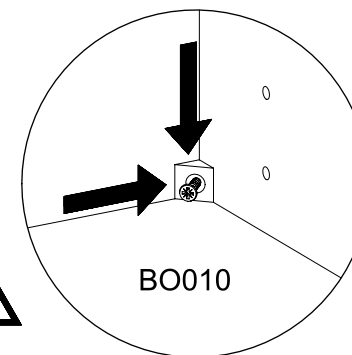
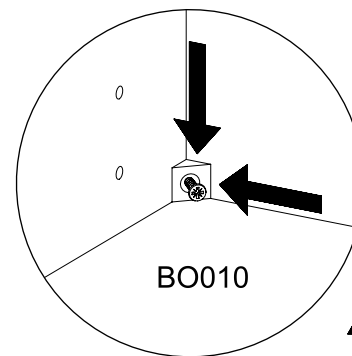
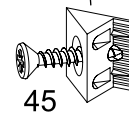
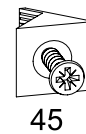
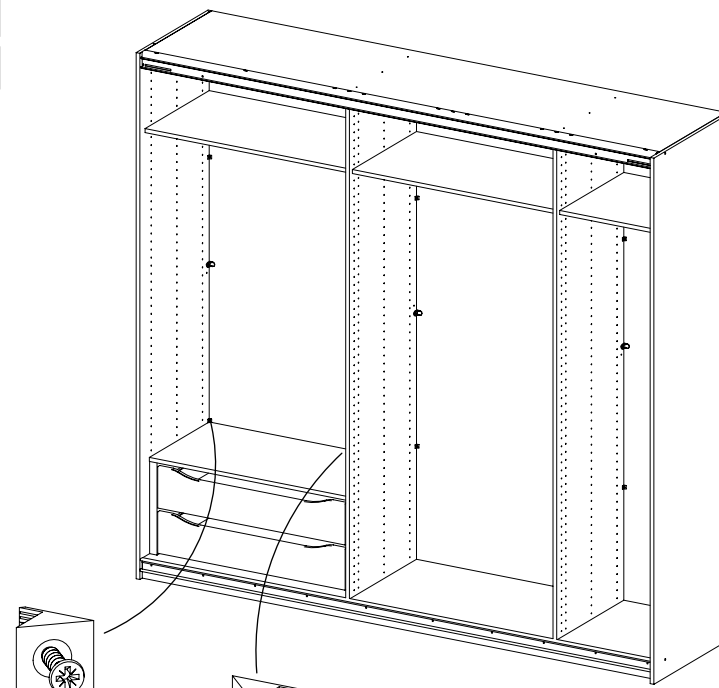


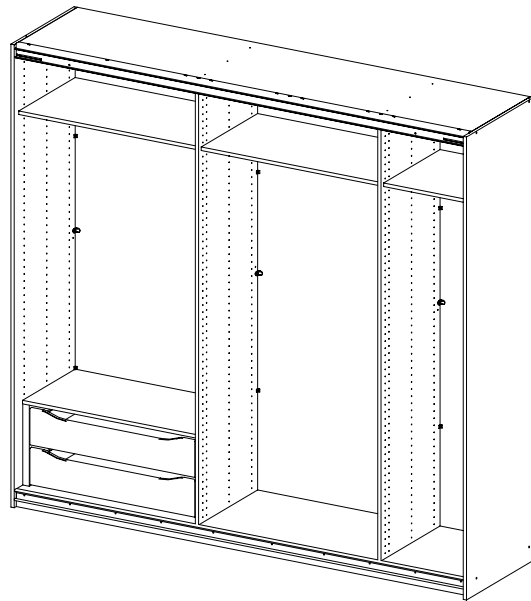
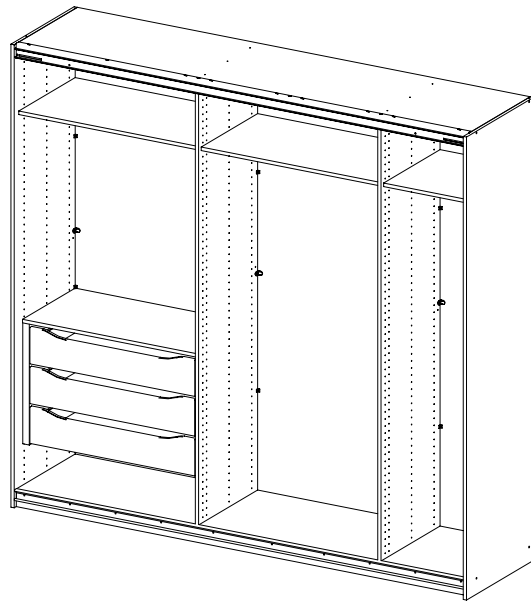
11

2x 45



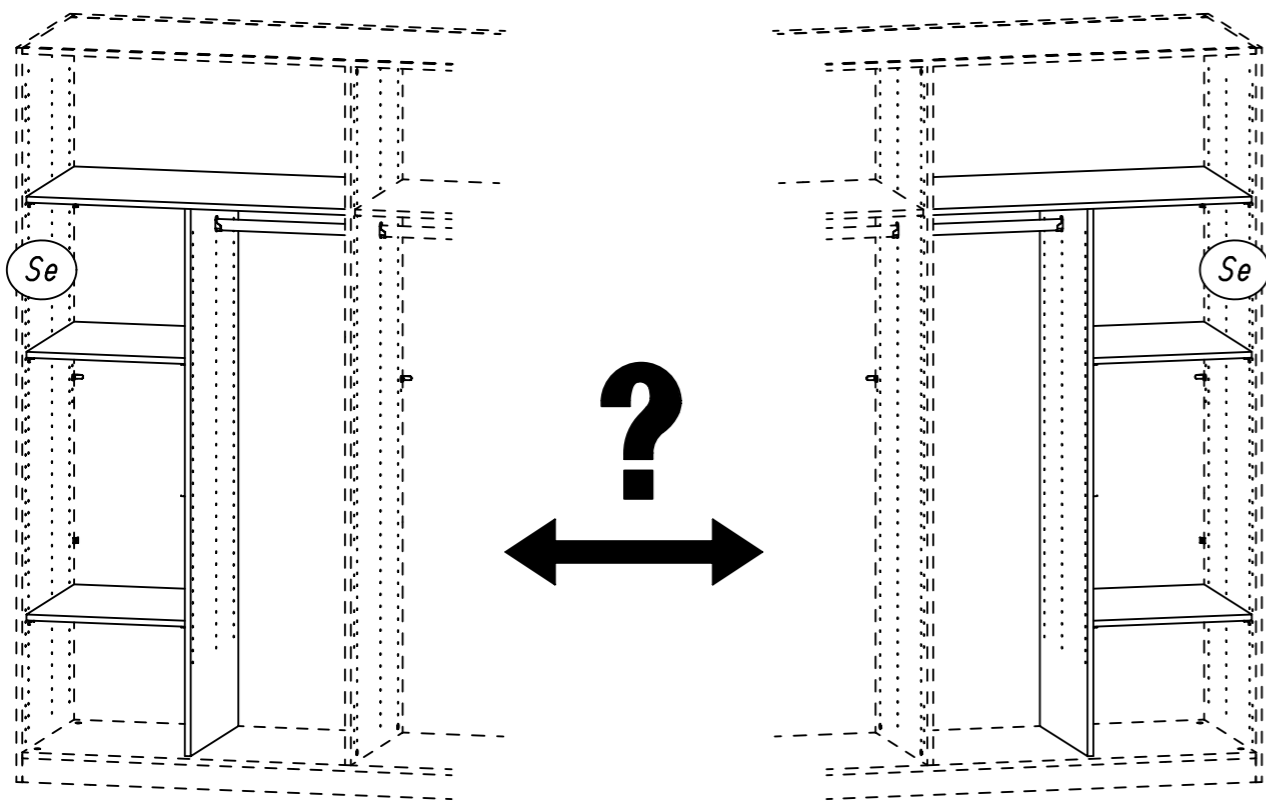
Typ 1  
Typ 2





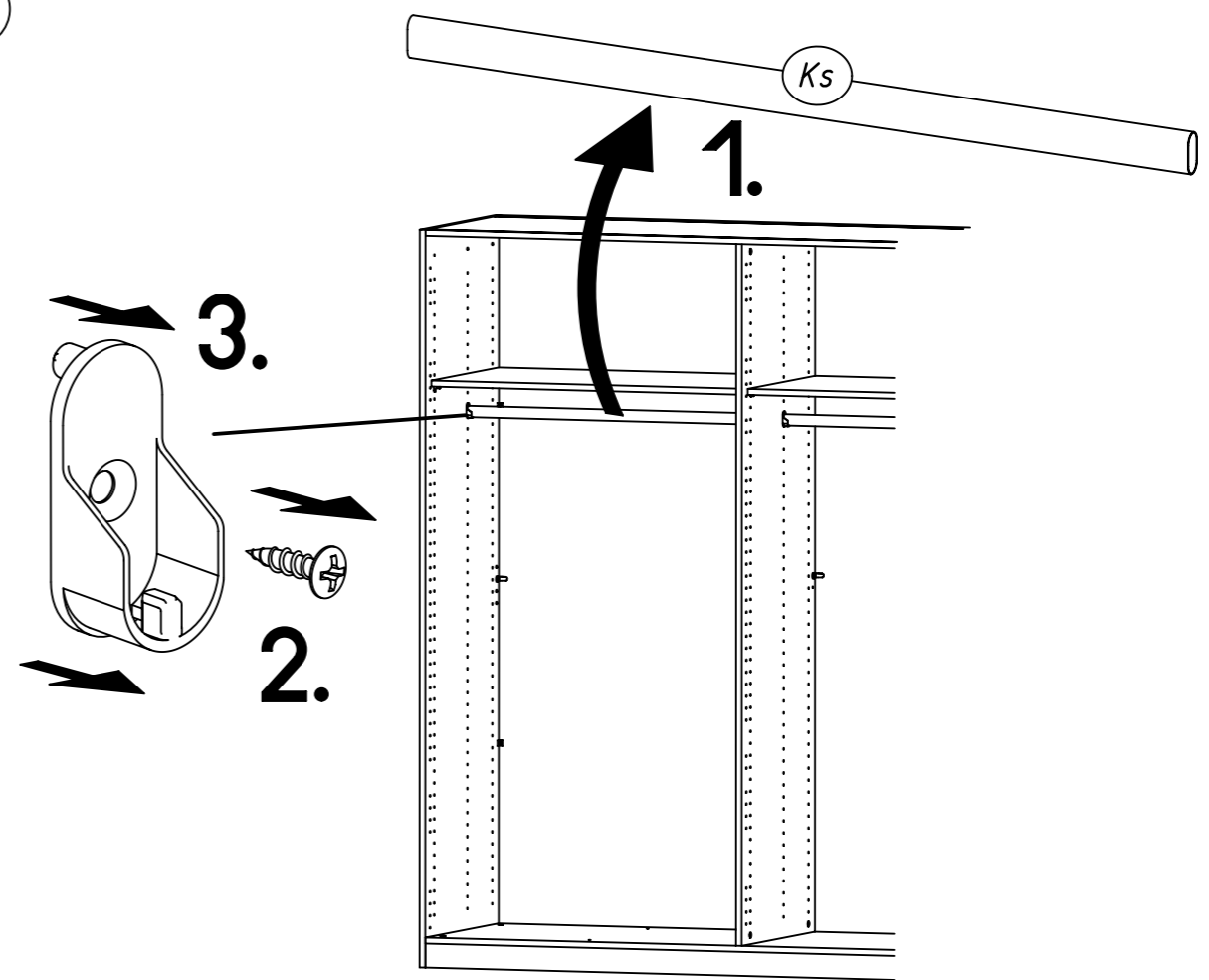
1.

ME204\_07

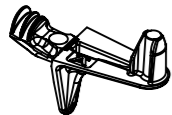


2.

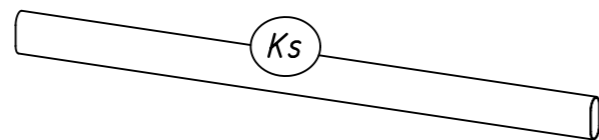
1



1105

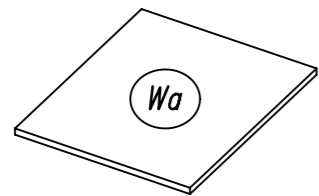
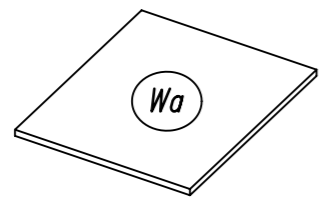
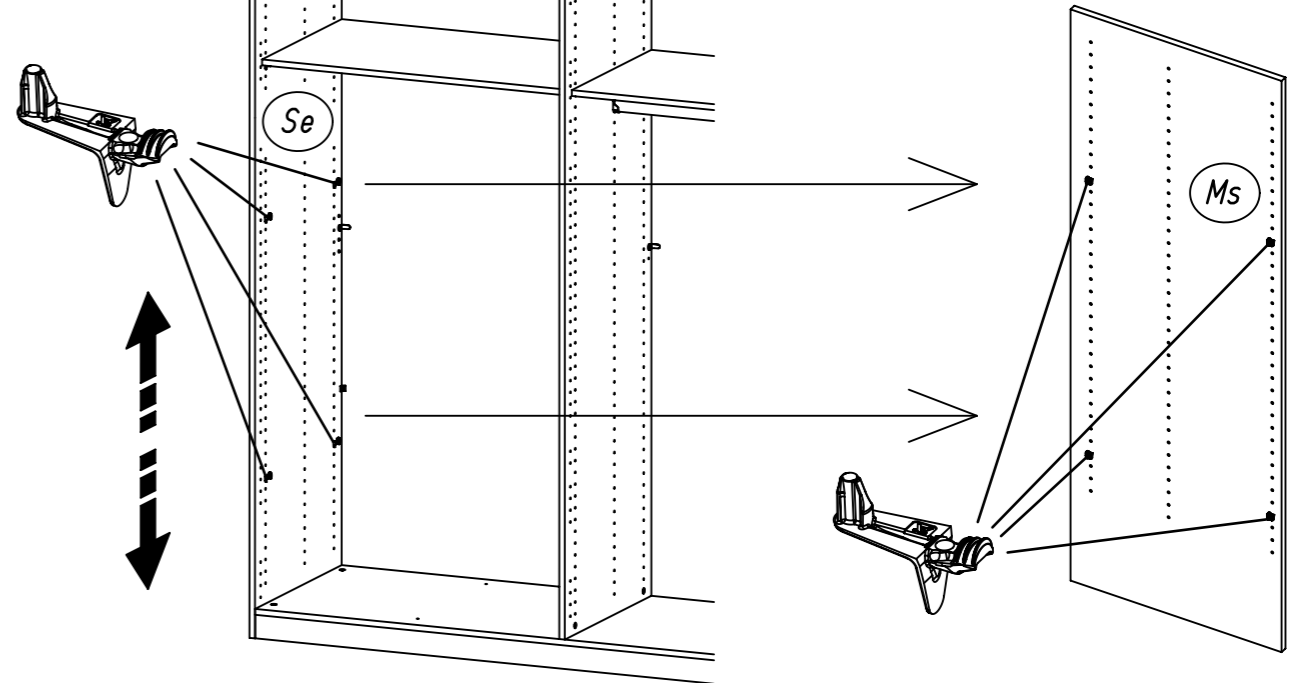


Ks

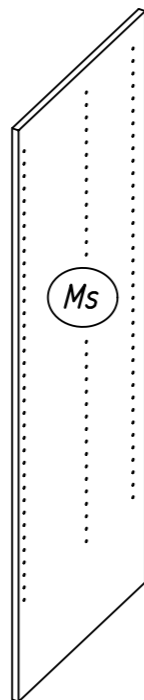


2

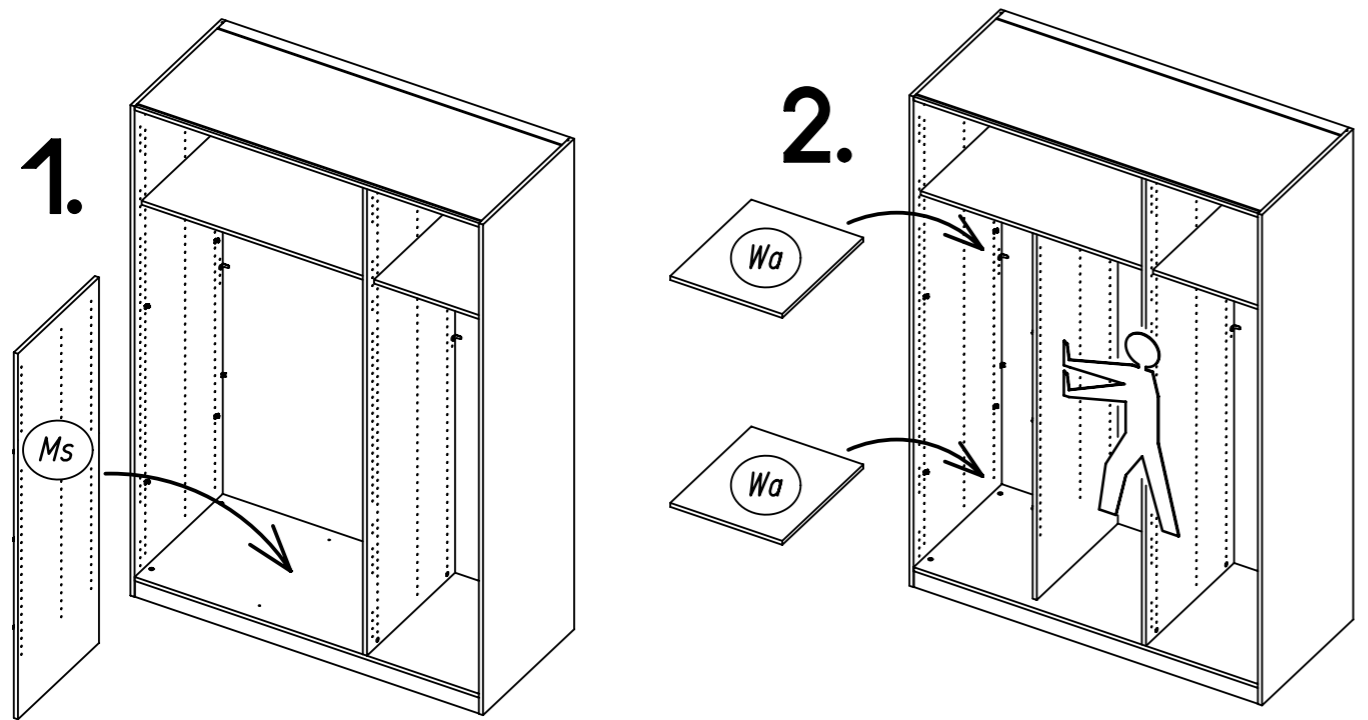
1105



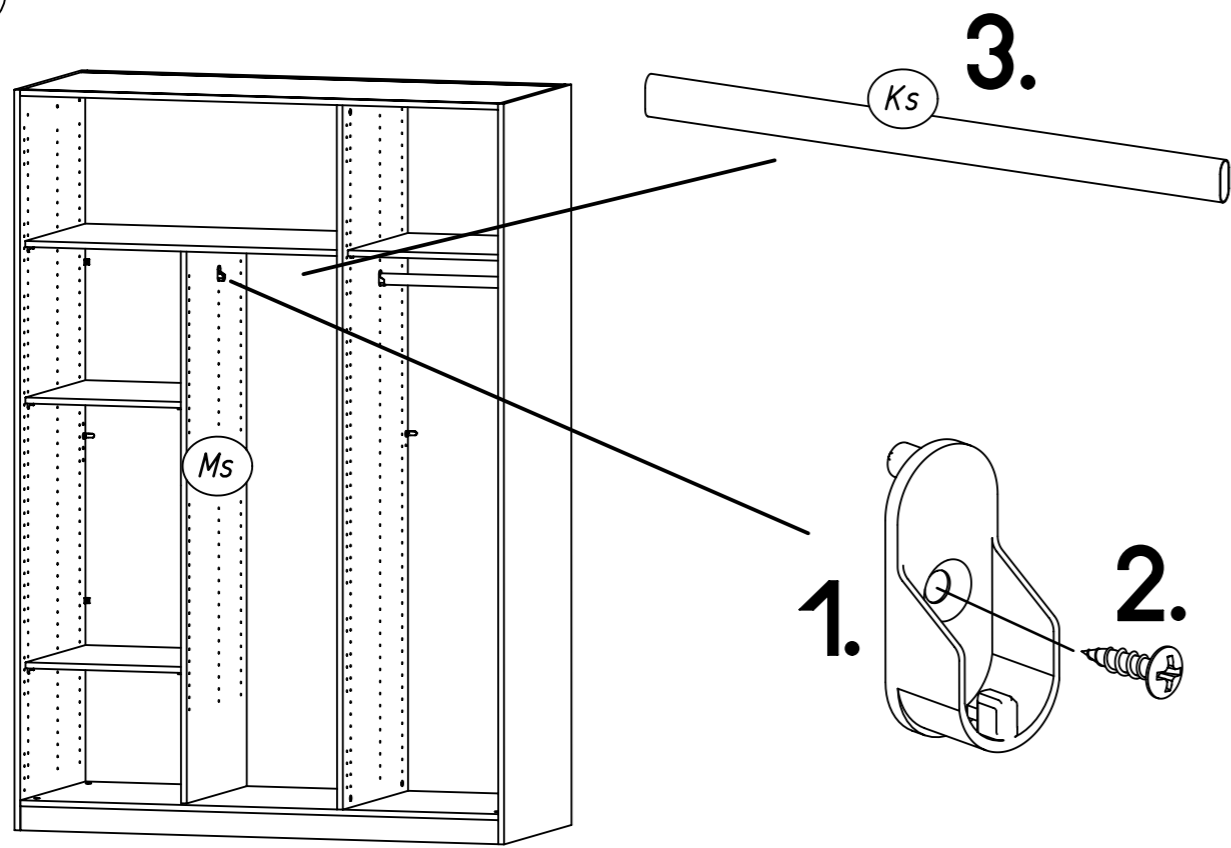
Ms



3

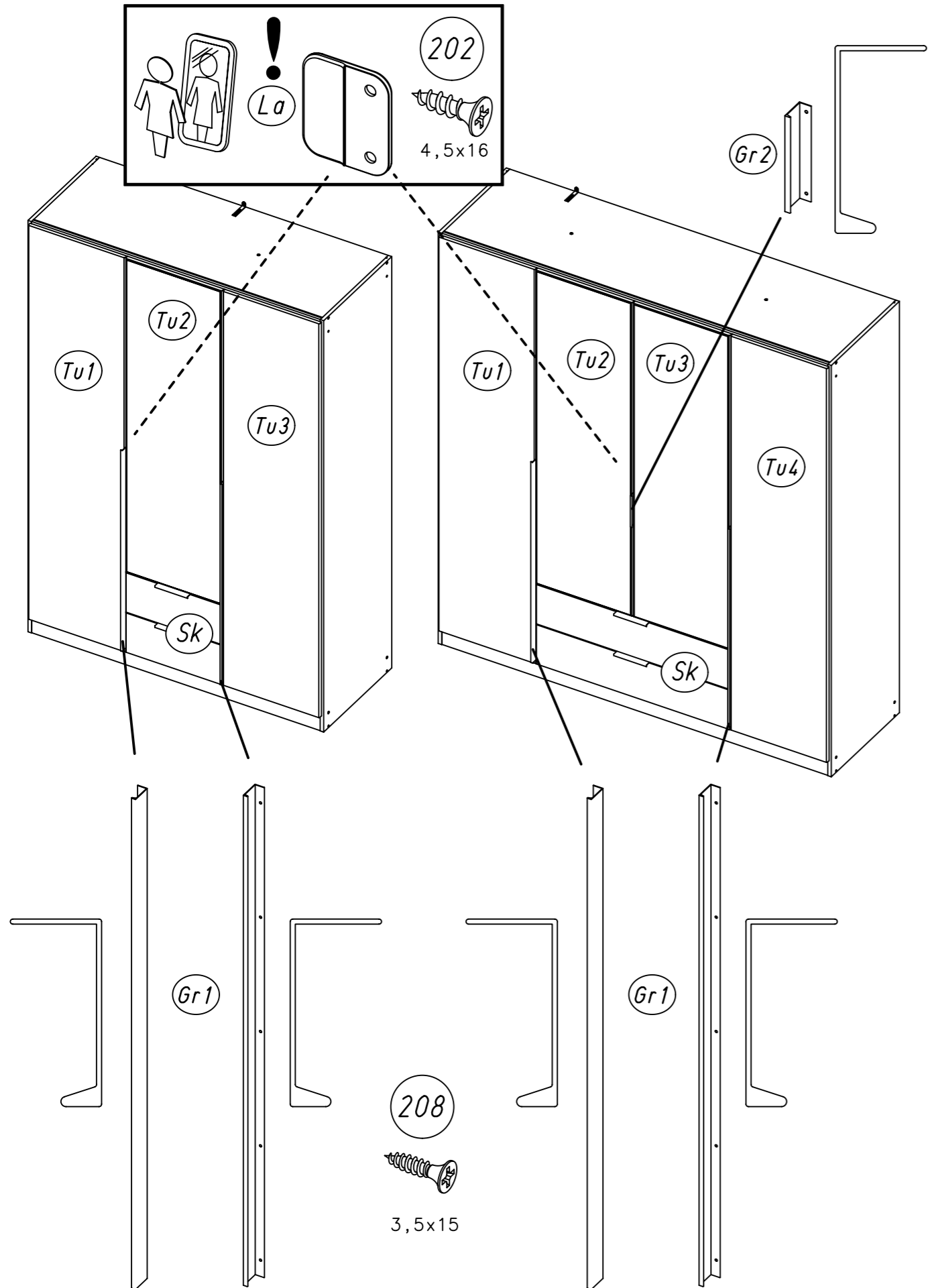


4

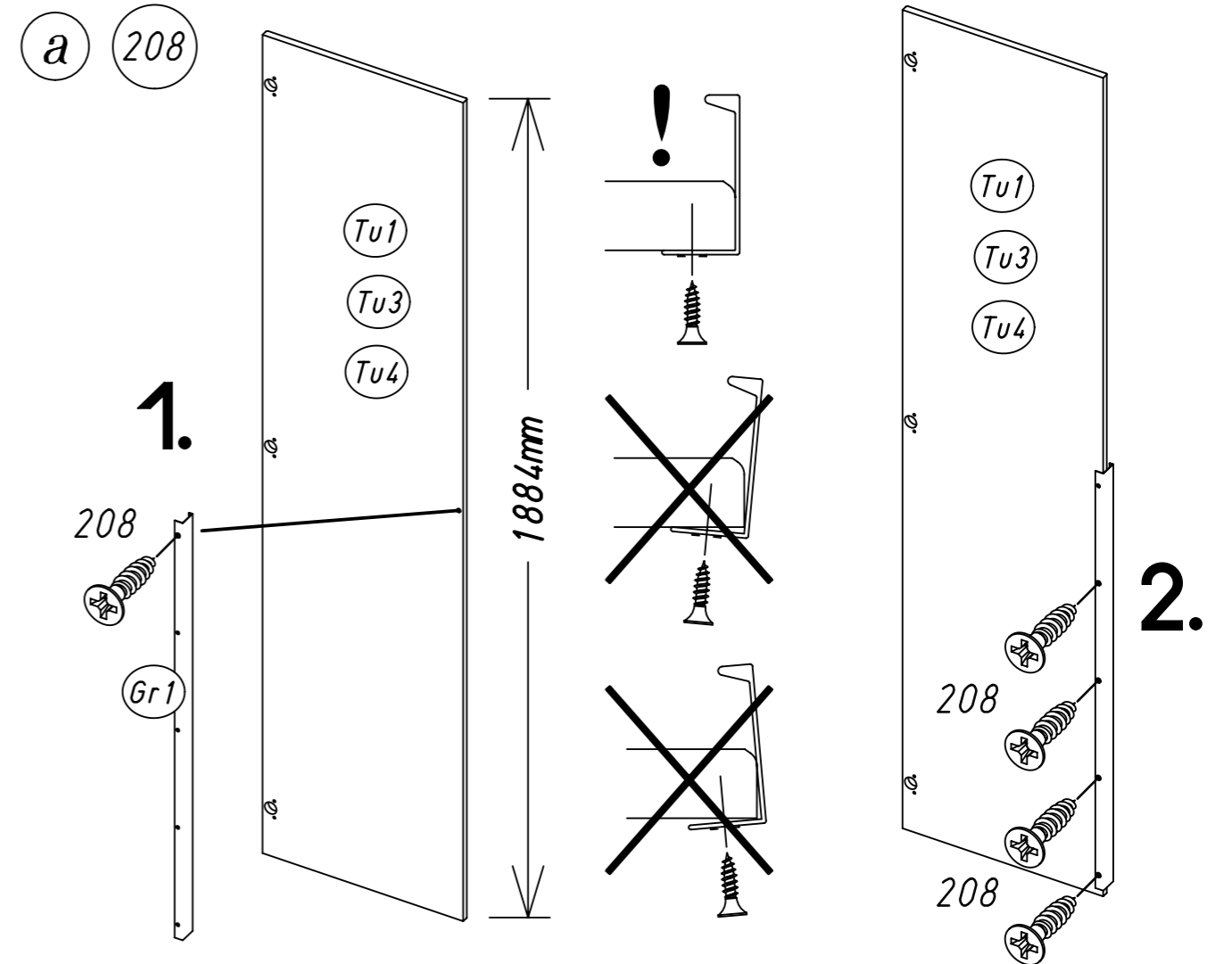
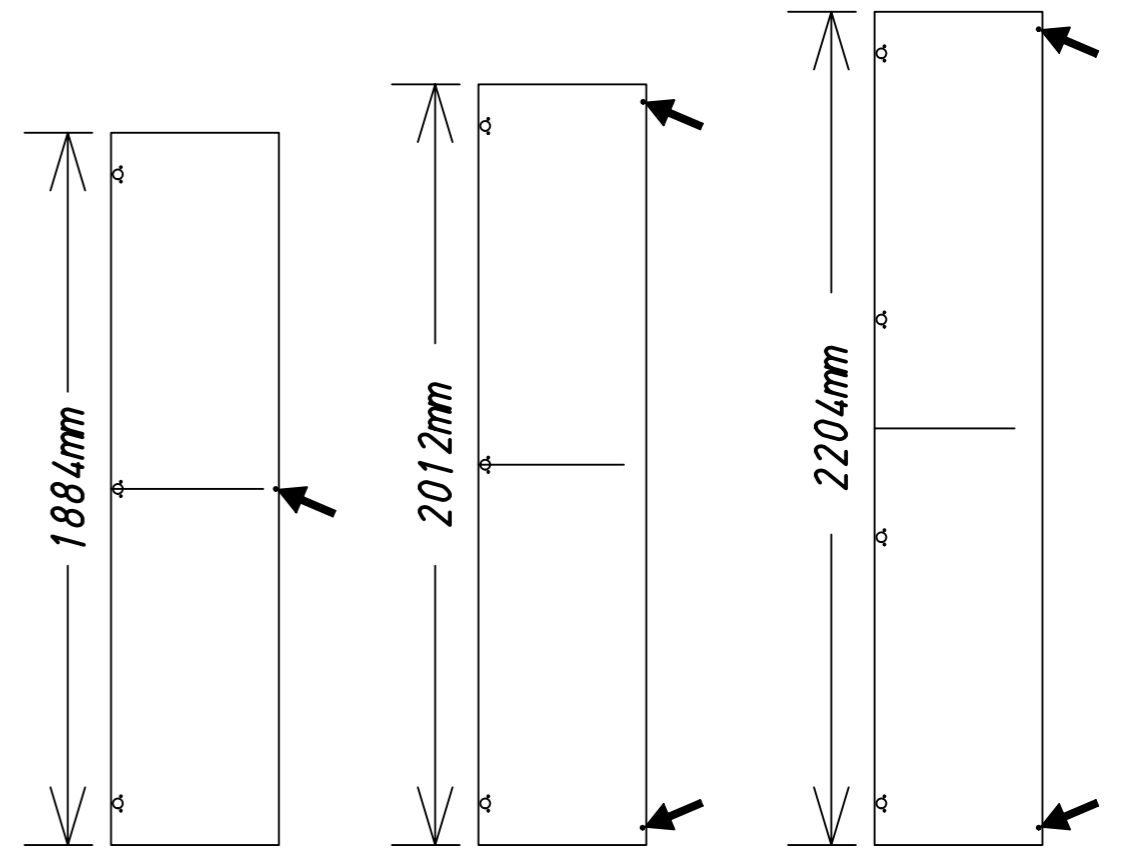


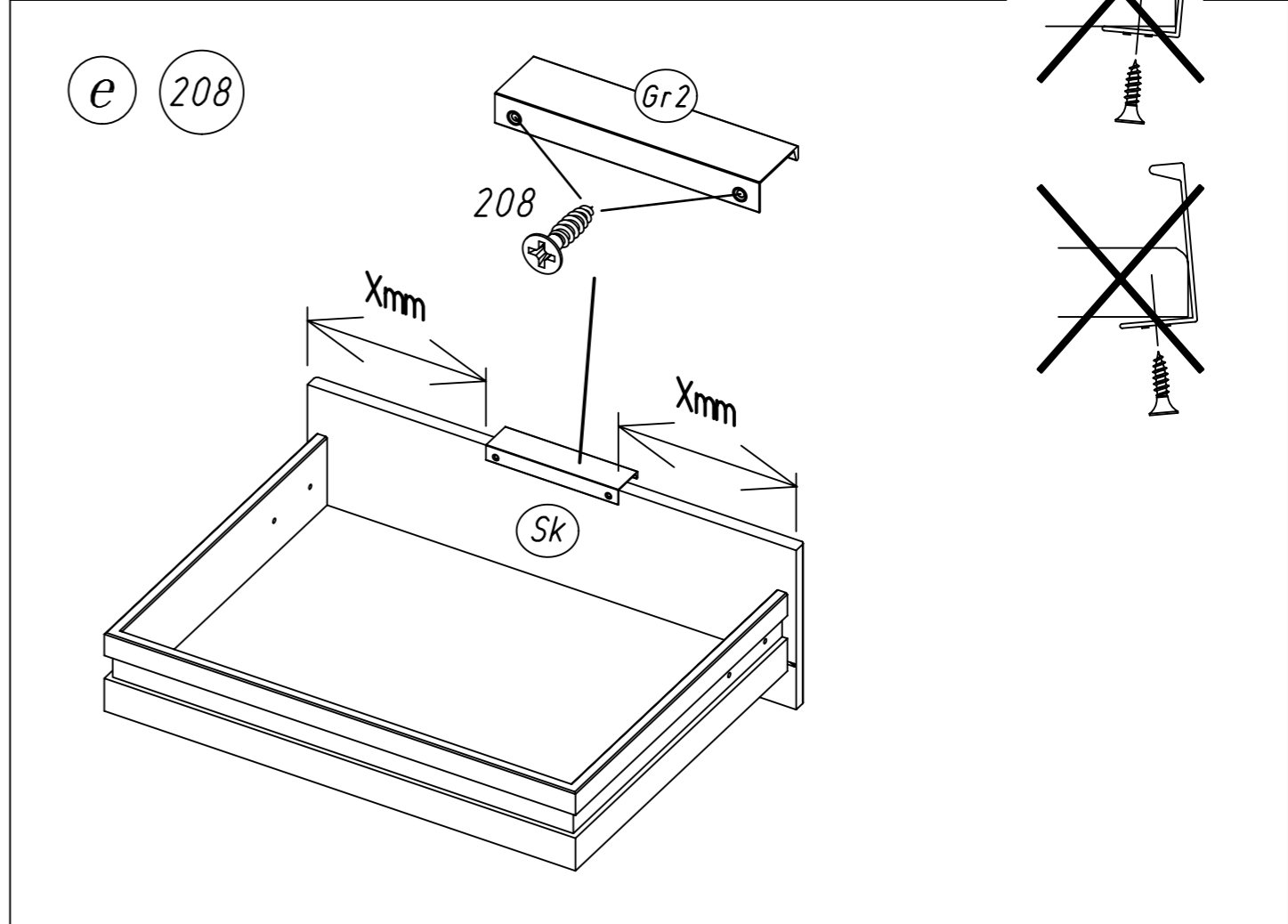
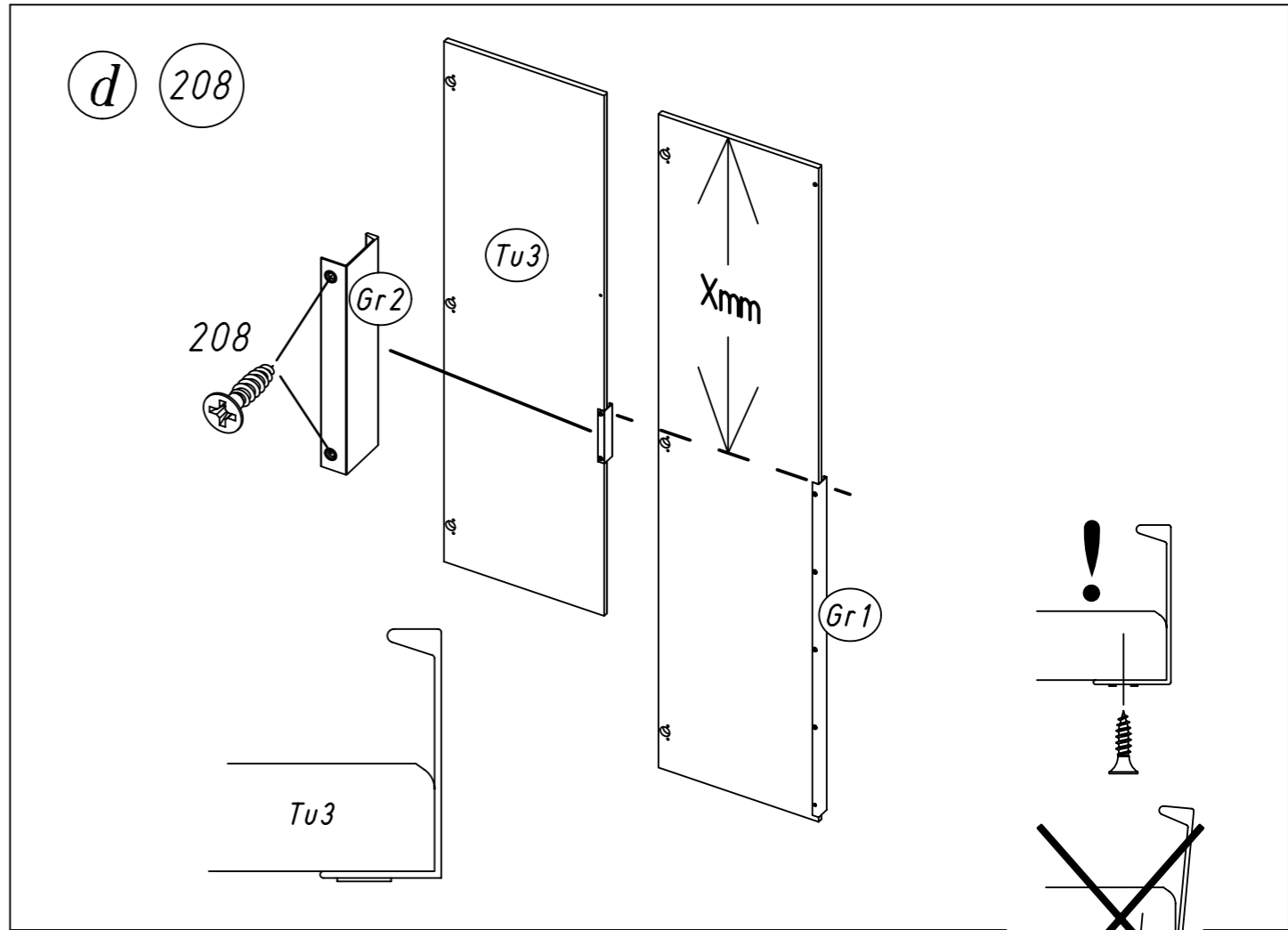
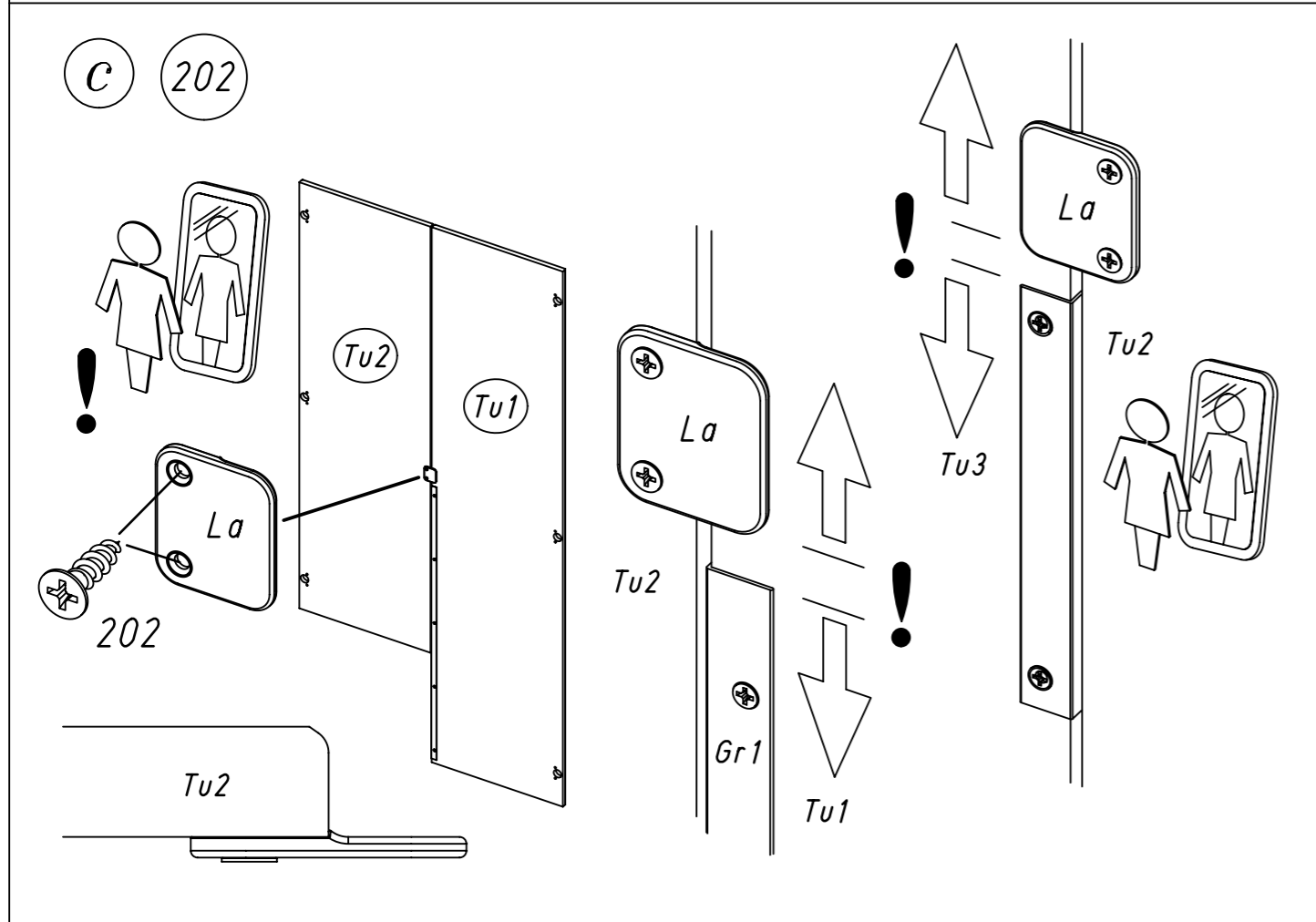
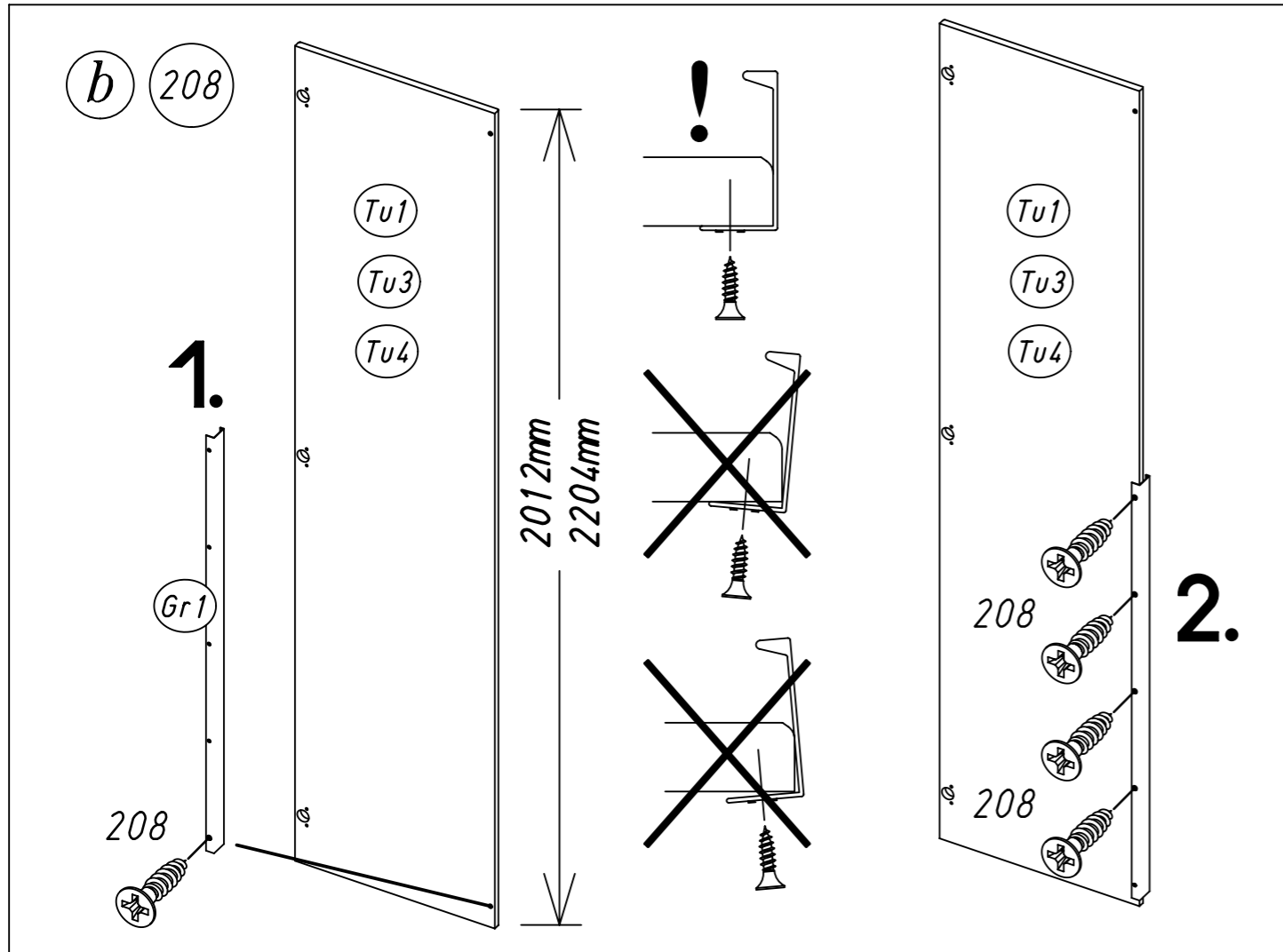
1.

MZ056\_01

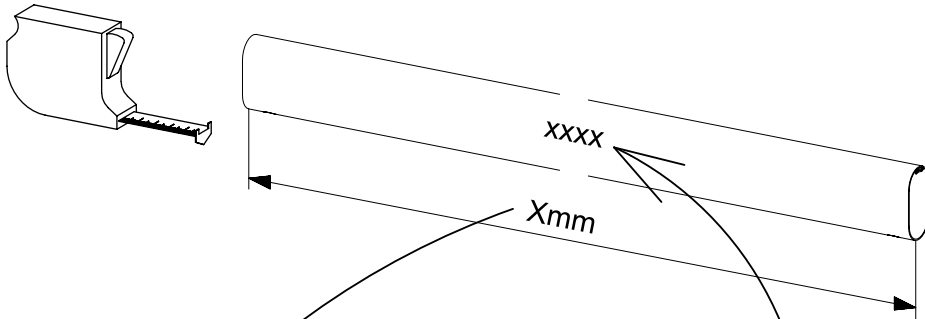
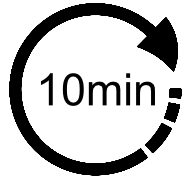
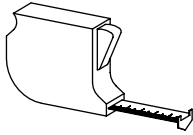
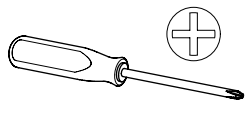


2.





# MZ110\_04




 Xmm	 	xxxx
393mm	max. 40kg	2000
426mm	max. 40kg	2001
538mm	max. 40kg	2011
563mm	max. 40kg	2002
650mm	max. 40kg	2003
809mm	max. 40kg	2004
873mm	max. 40kg	2006
890mm	max. 40kg	2010
1097mm	max. 40kg	2008

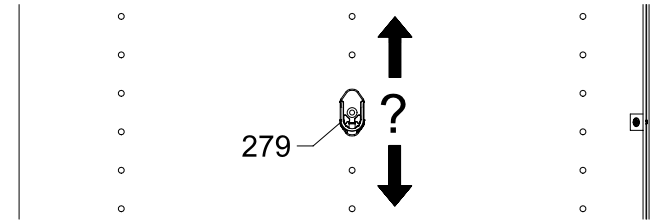
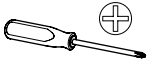
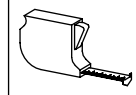


xxxx = 2000, 2001, 2002, 2003, 2004, 2006, 2008, 2010, 2011,

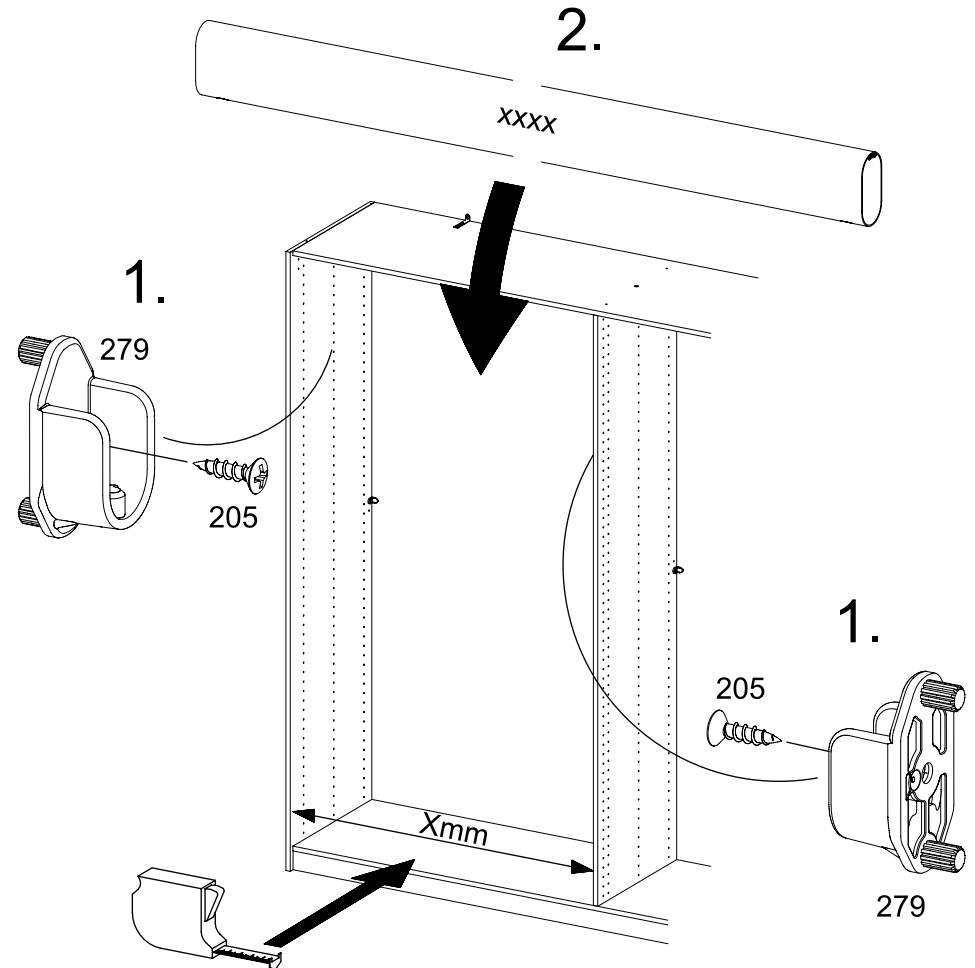
1

2x  3,5x15

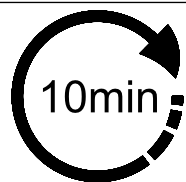
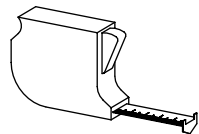
2x 


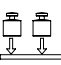


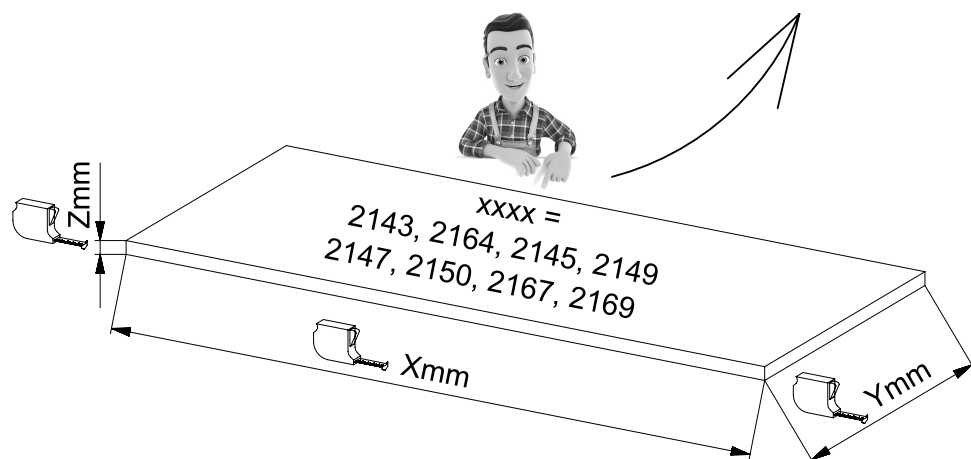
2.




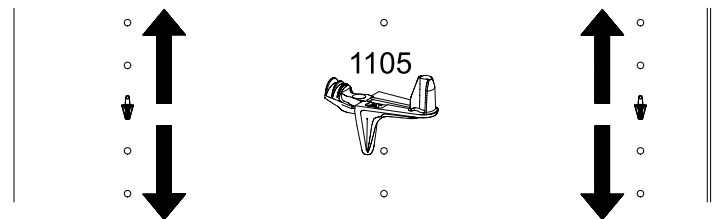
MZ112\_05



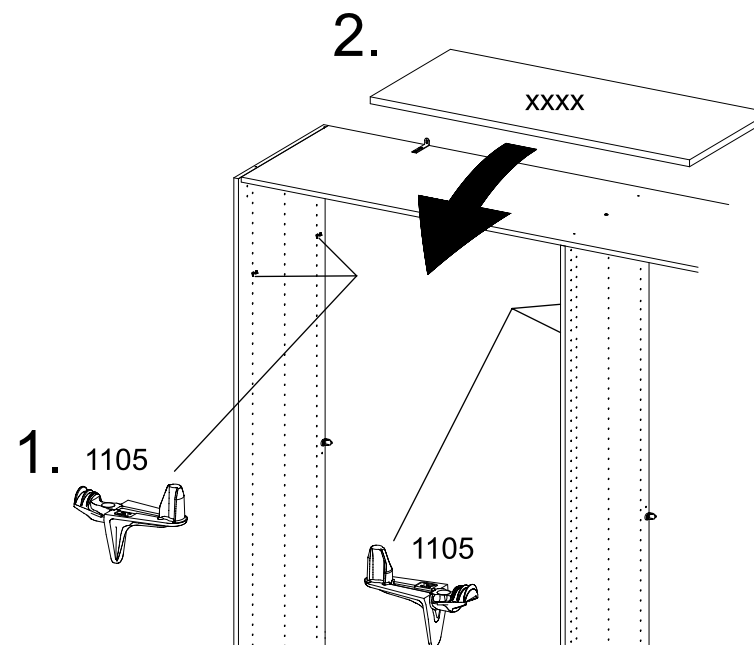
Xmm	Ymm	Zmm	 	XXXX
432mm	450mm	16mm	max. 10kg	2143
632mm	450mm	16mm	max. 10kg	2164
656mm	450mm	16mm	max. 10kg	2145
848mm	450mm	16mm	max. 10kg	2149
880mm	450mm	16mm	max. 10kg	2147
1064mm	450mm	22mm	max. 25kg	2150
848mm	395mm	16mm	max. 10kg	2167
632mm	395mm	16mm	max. 10kg	2169



1

4x  1105

2.



3.

