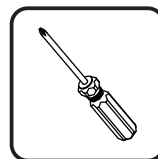
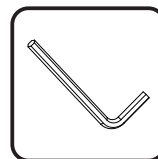
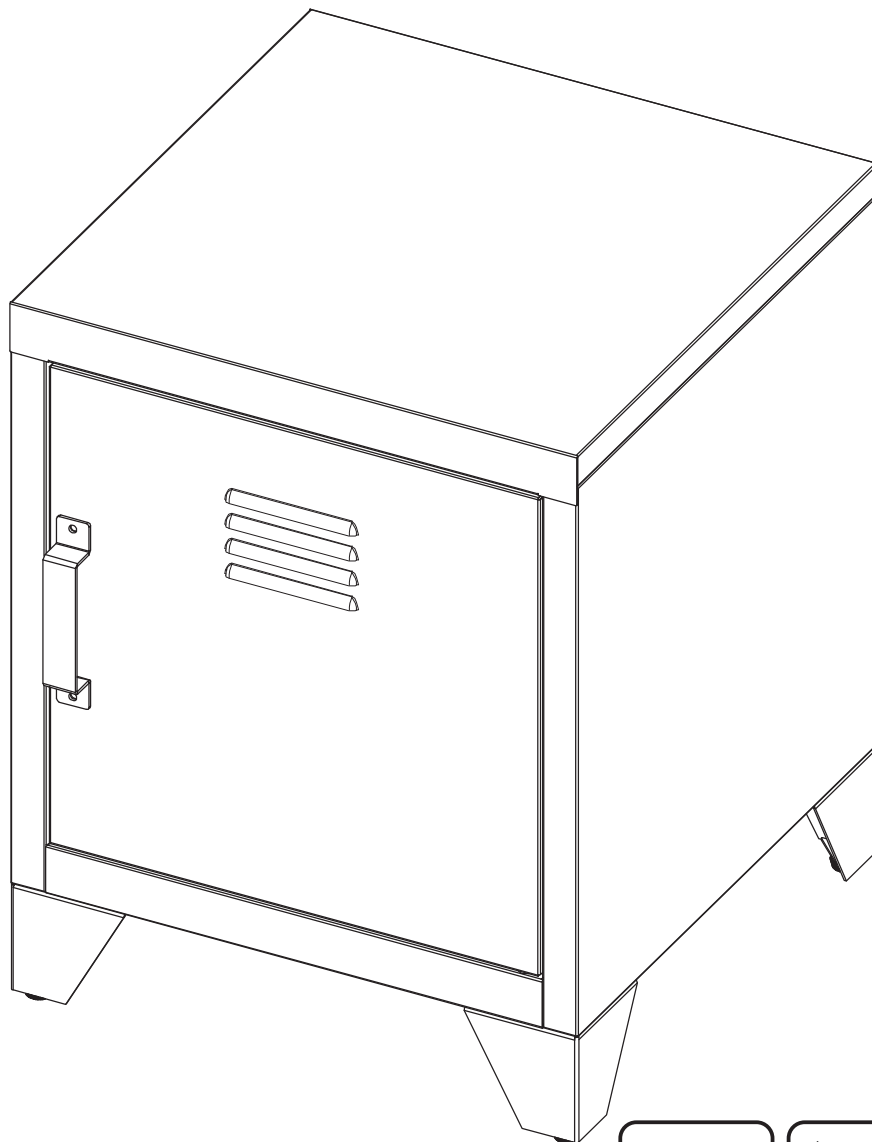


INcrf013_GL_

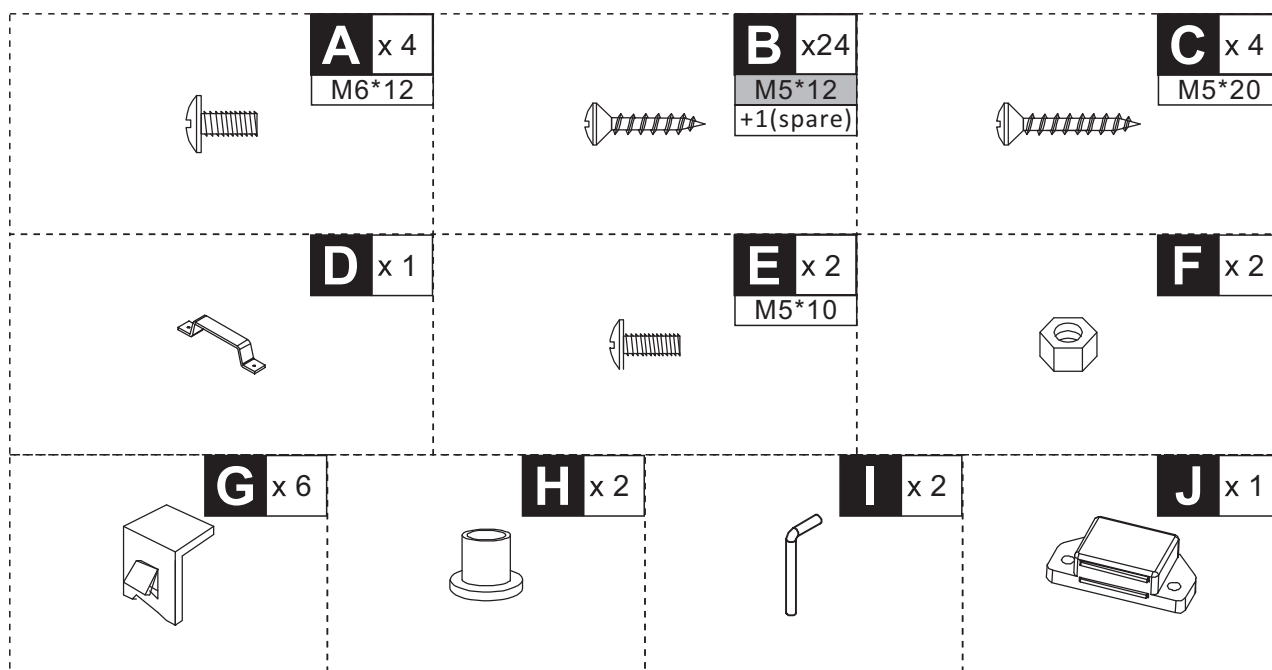
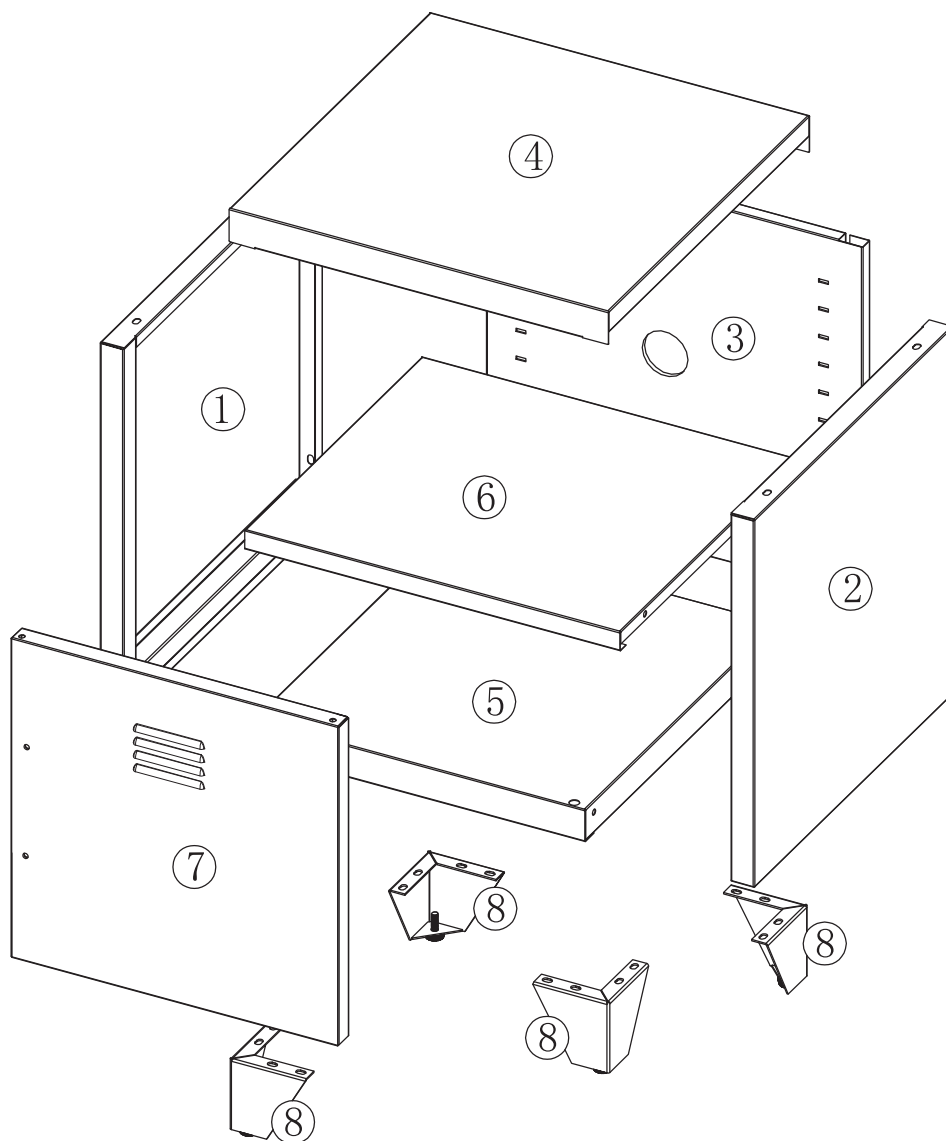
831-429

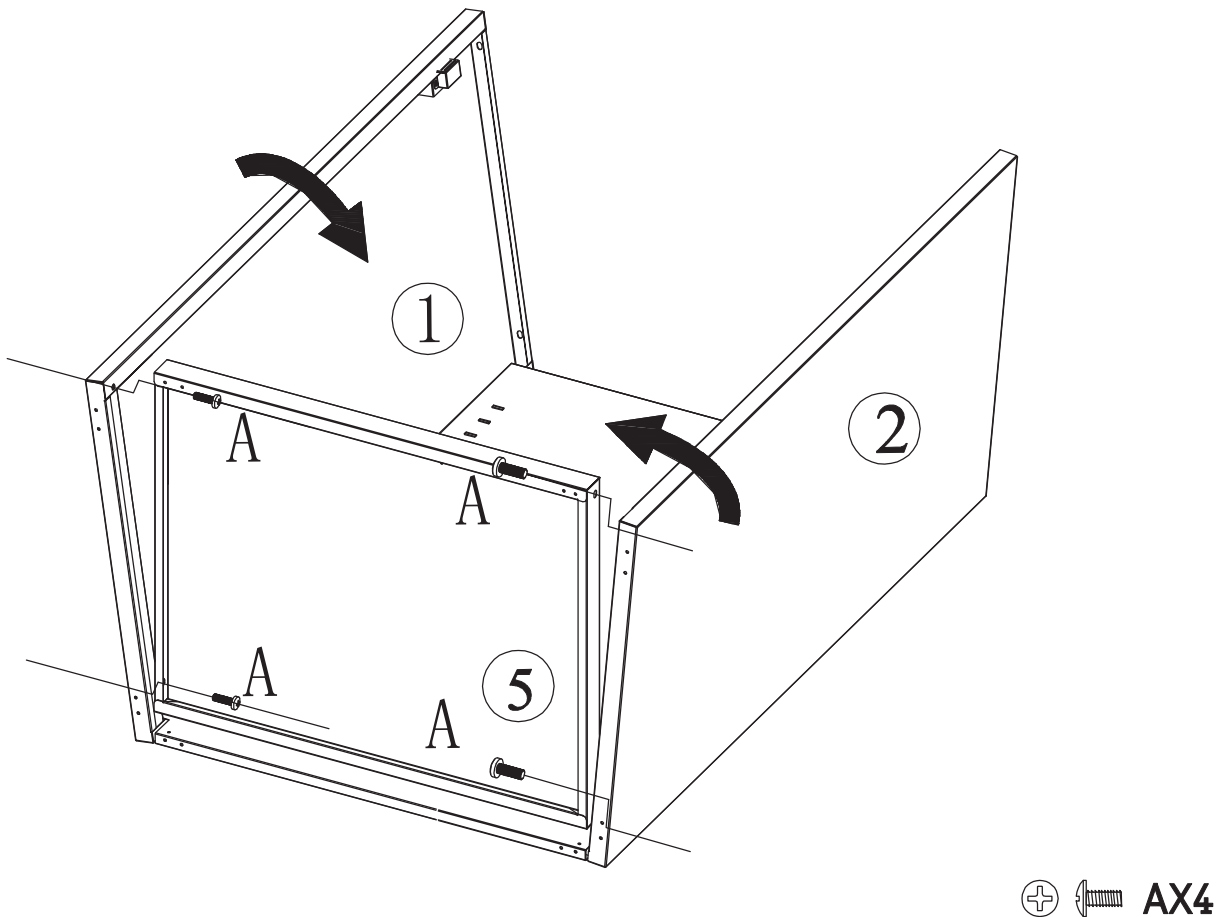
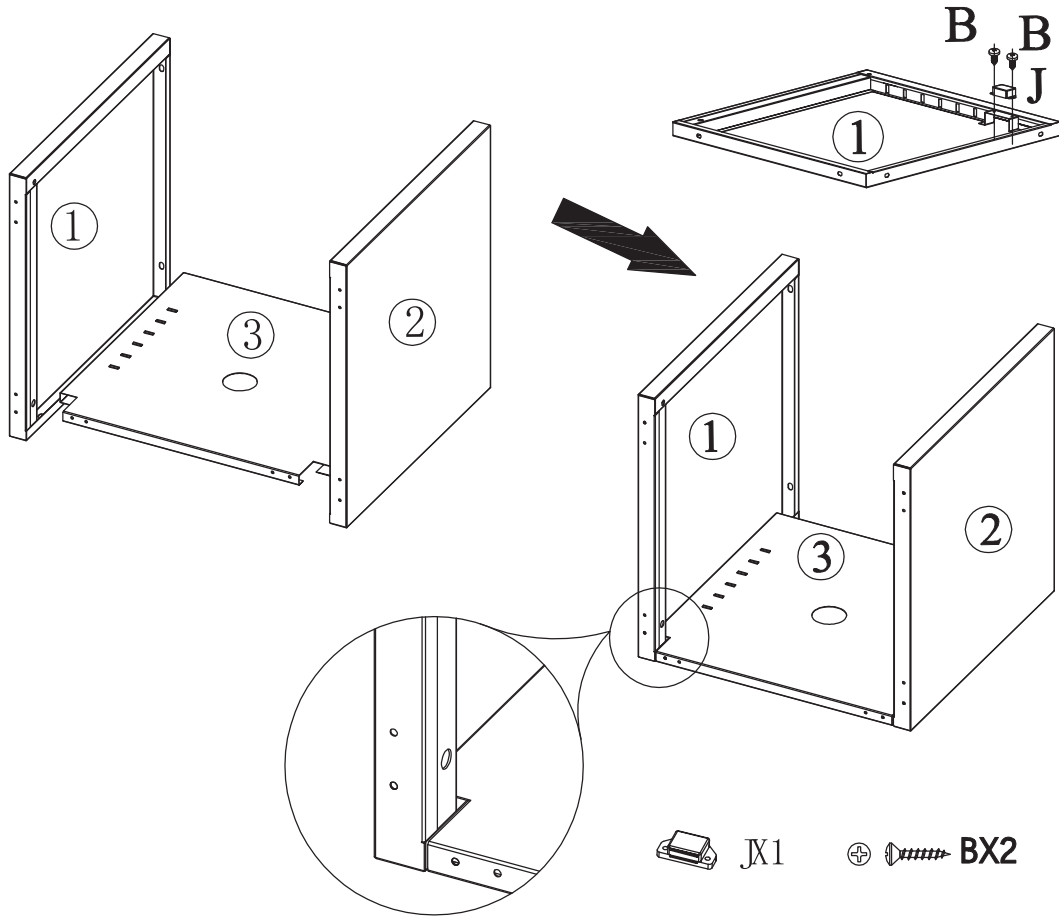


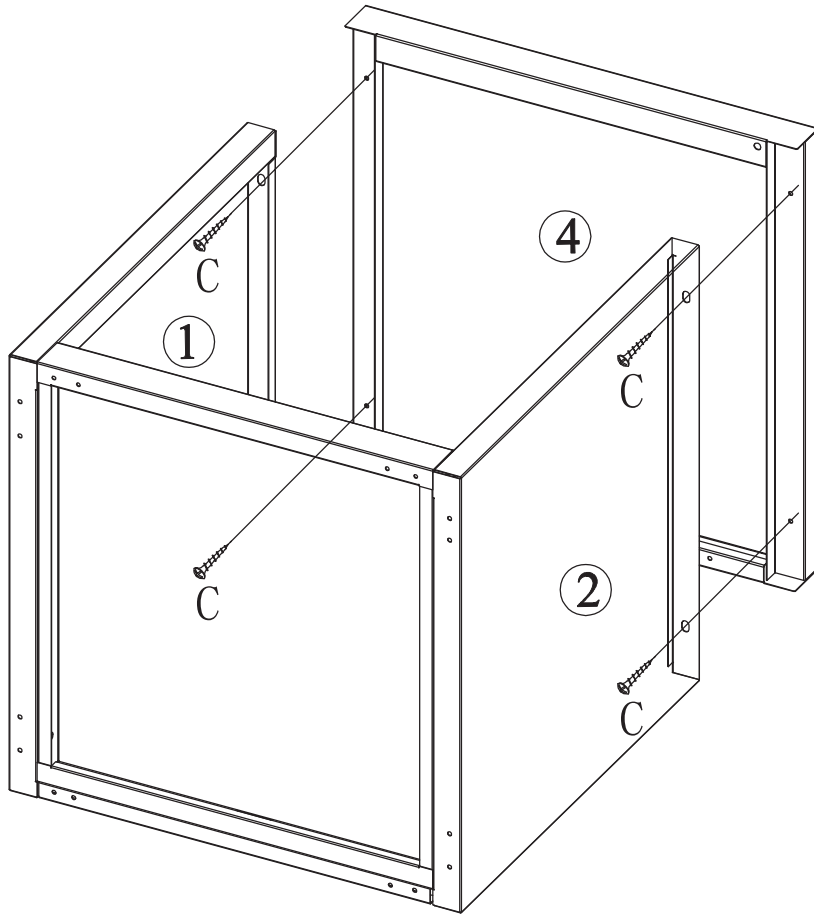
IMPORTANT, RETAIN FOR FUTURE REFERENCE: READ CAREFULLY

Tools Recommended

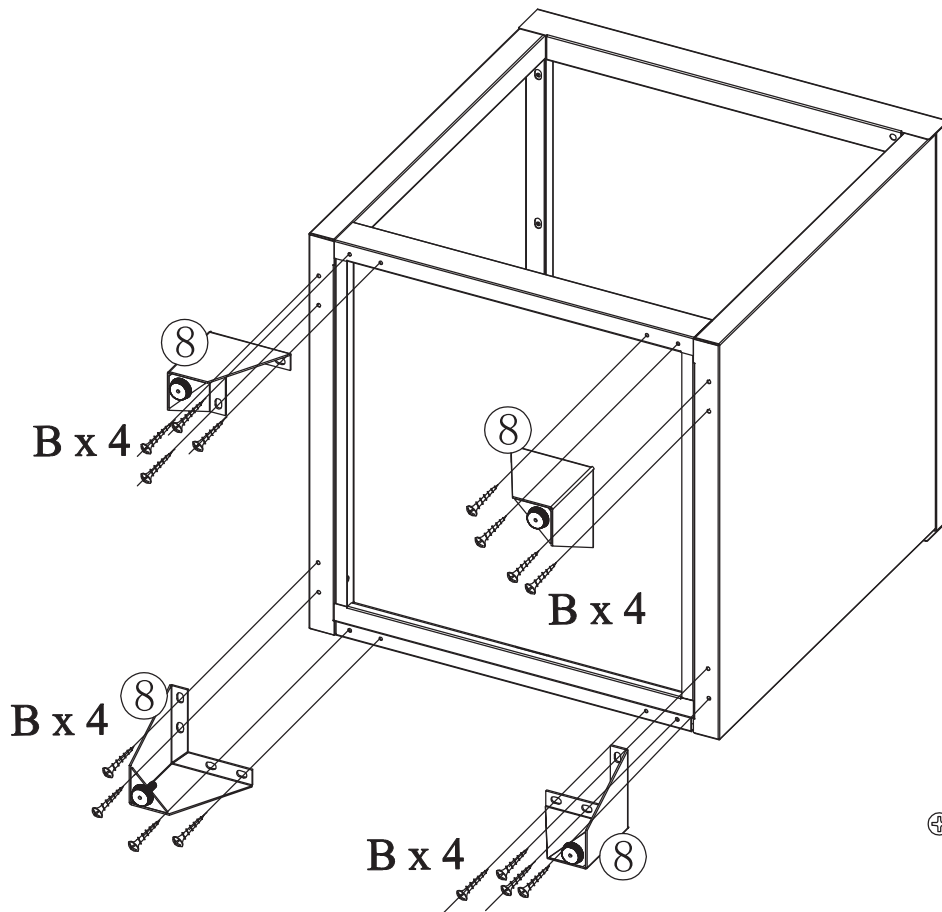
ASSEMBLY & INSTRUCTION MANUAL



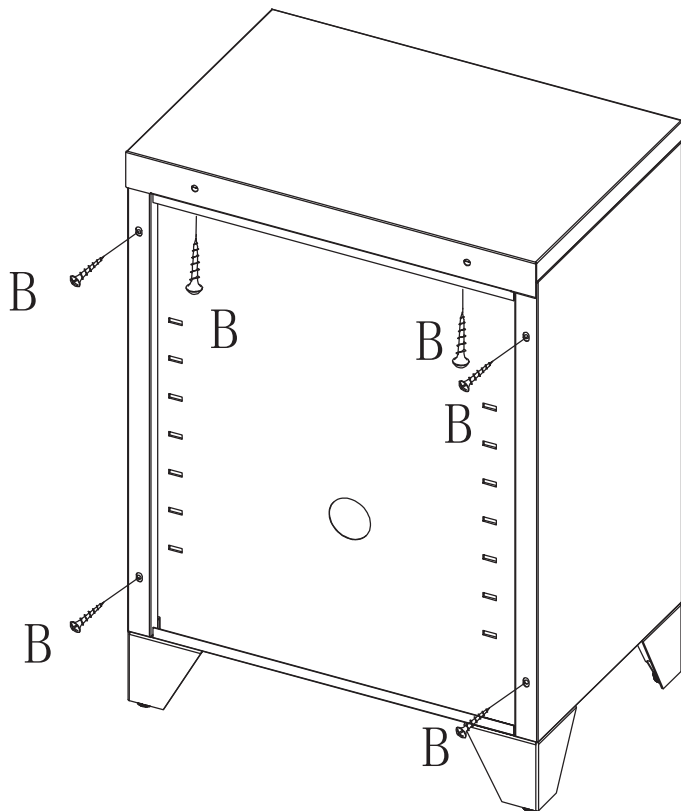
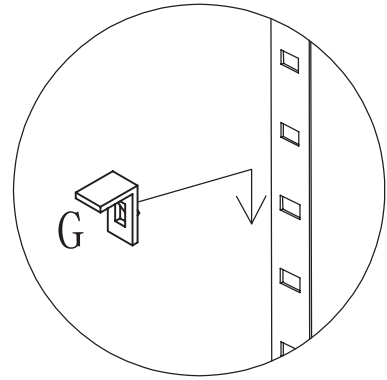
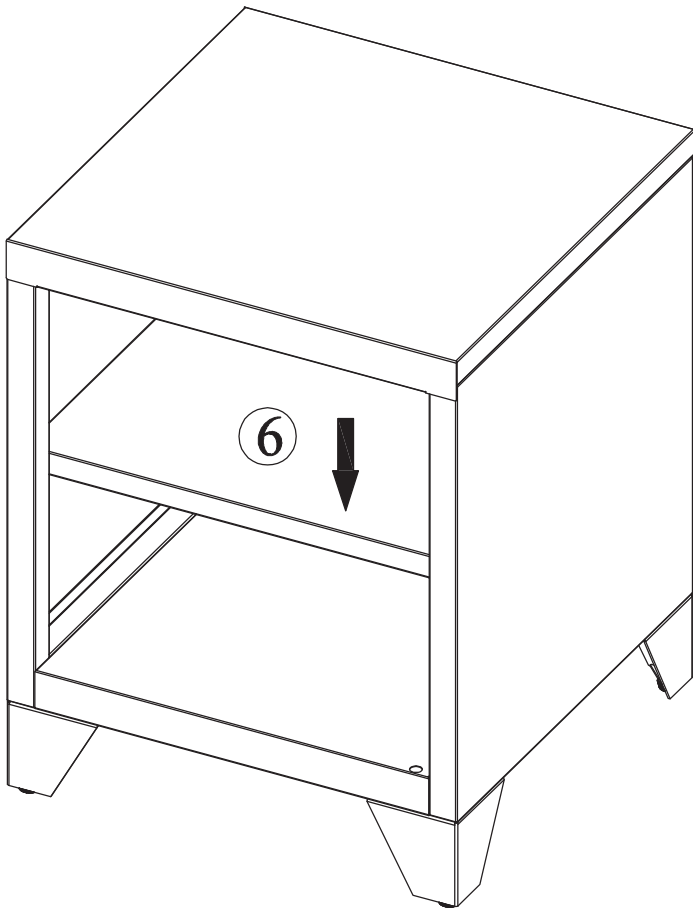


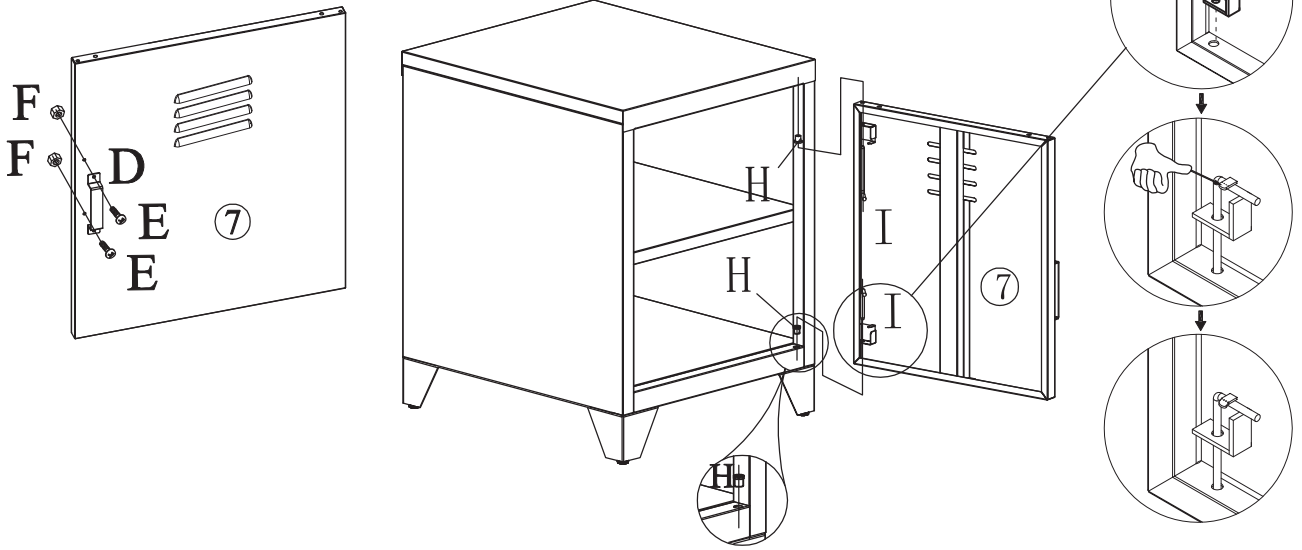


⊕  CX4



⊕  BX16





- IX2
- HX2
- FX2
- EX2
- DX1

