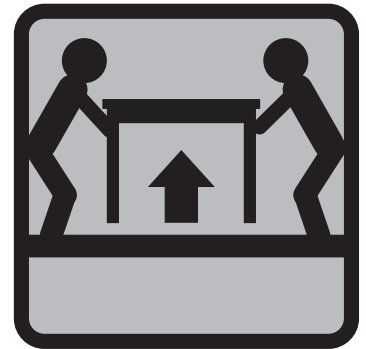
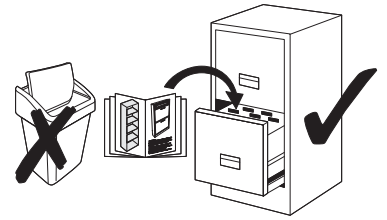
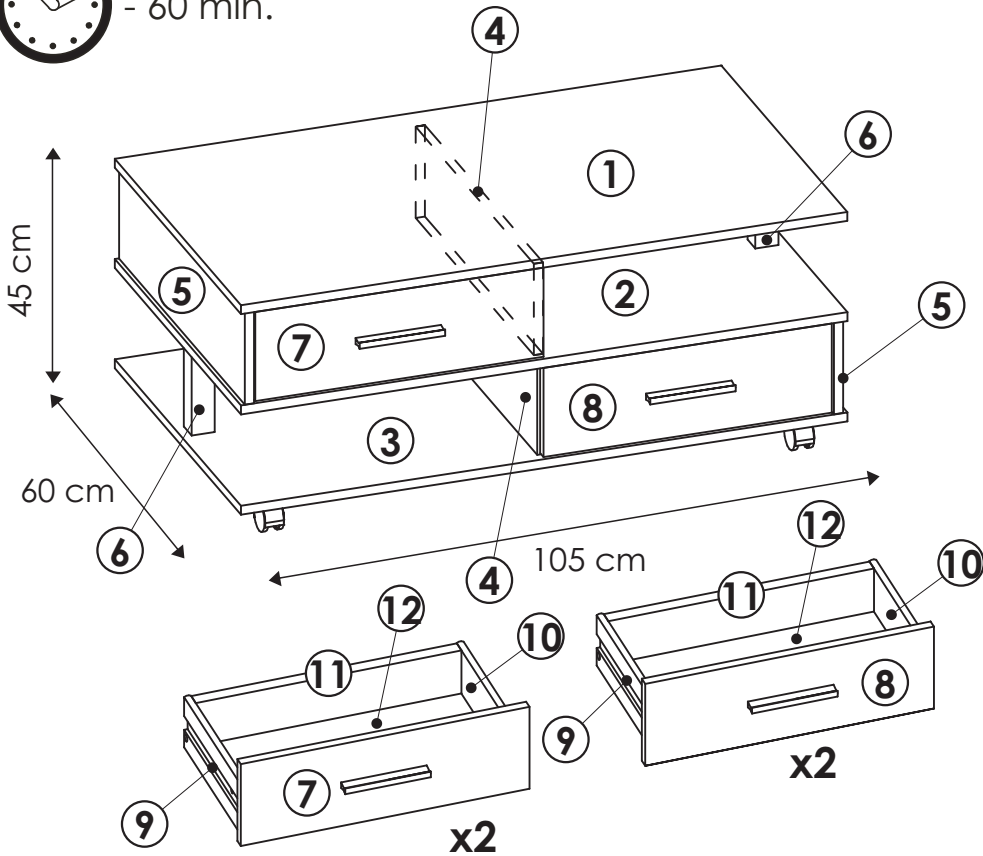


5087595/00



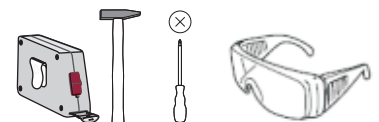
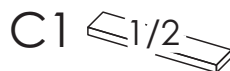
- 60 min.

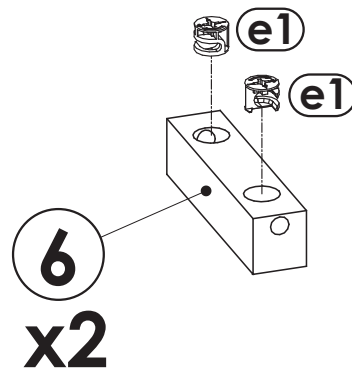
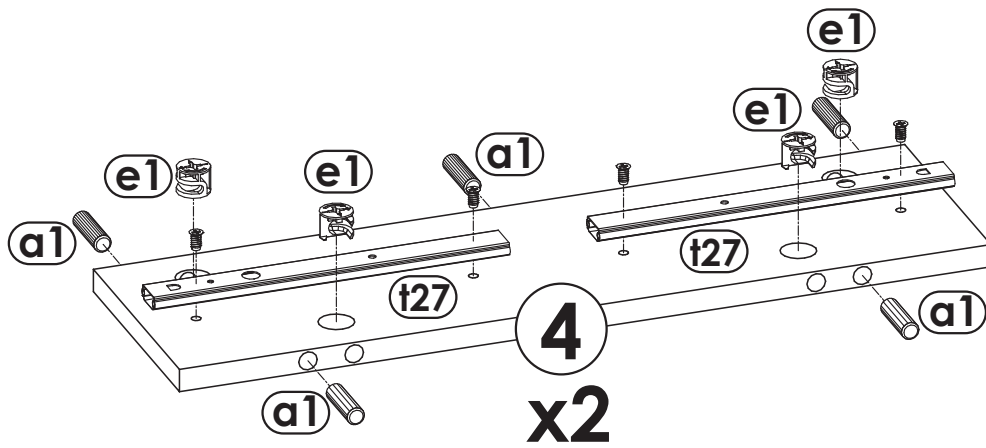
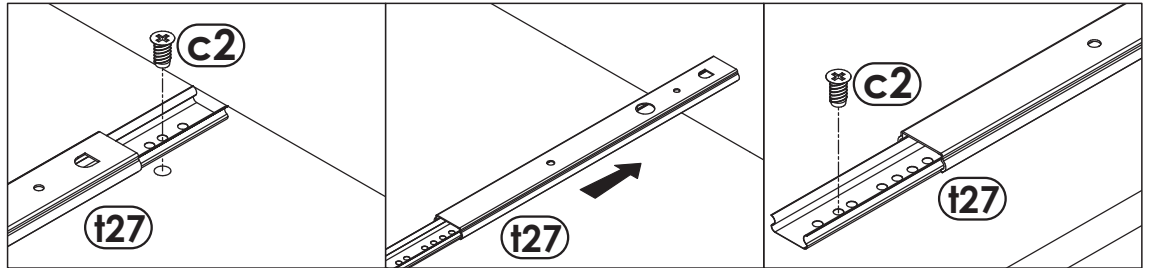
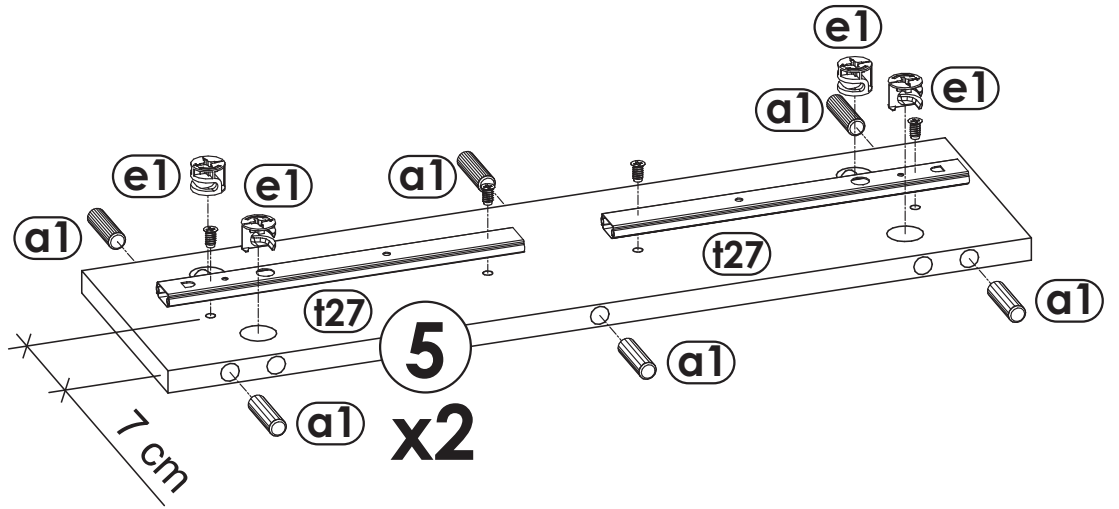
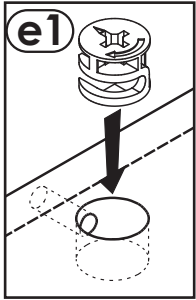
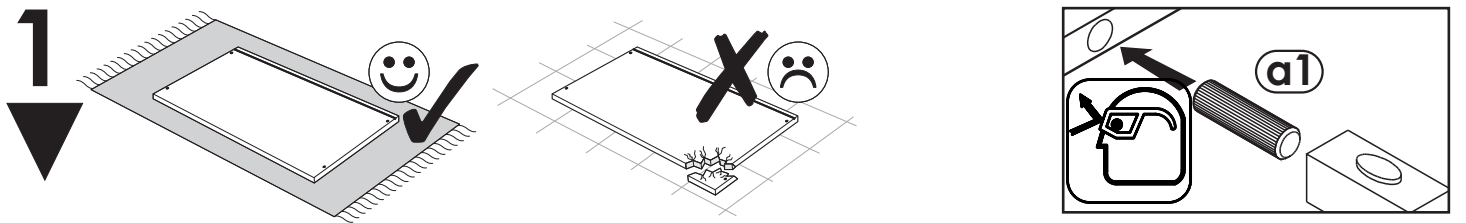


a1 8x35 x....(x30)	c2 Euro 5x13 x....(x16)	e0 x....(x20)	e1 x....(x20)	e3 x....(x16)	f1 x..(x36)	g0 x....(x8)
g1 7x50 x....(x8)	h1 x....(x4)	i2 4x16 x....(x16)	i4 3.5x27 x....(x8)	k1 4x9 x....(x8)		
m x....(x1)	n1 3x16 x....(x20)	o14 x....(x2)	o16 x....(x2)	r4 x....(x4)	t27 x....(x8)	

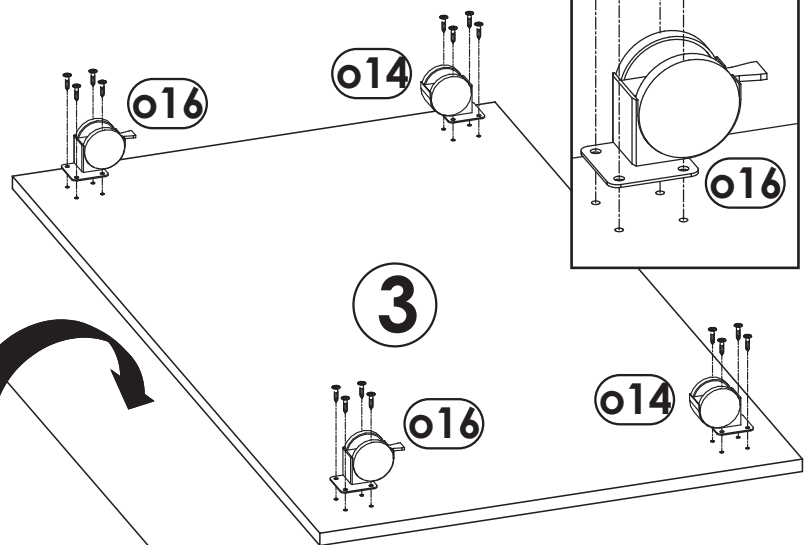
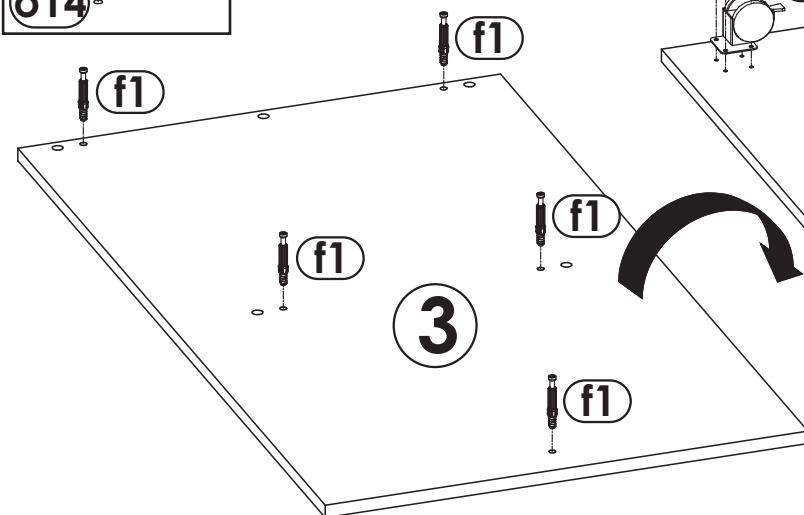
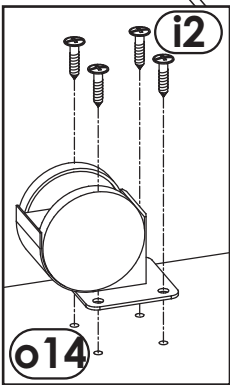
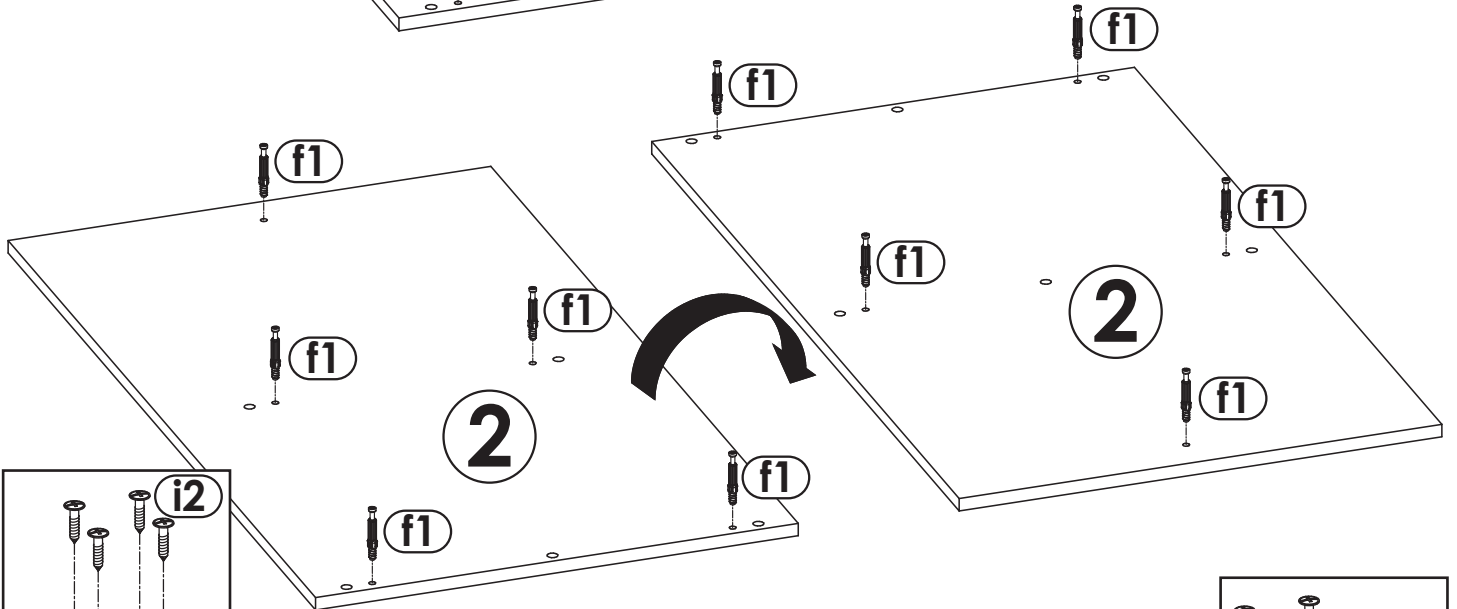
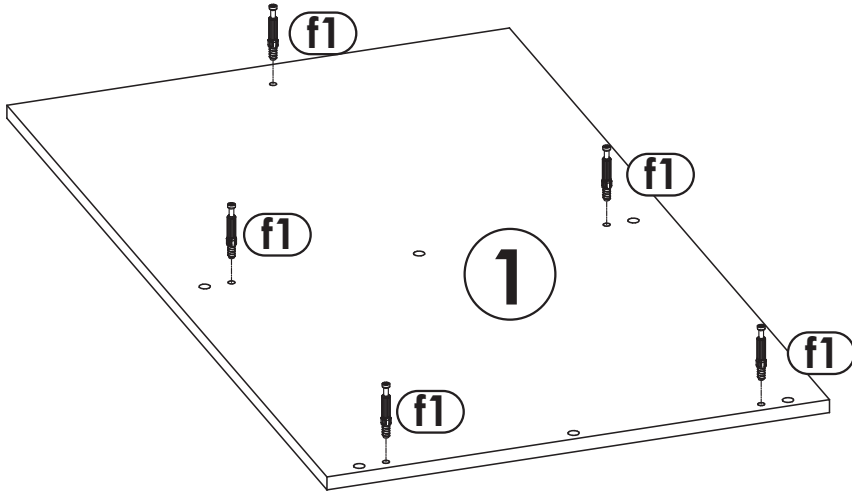
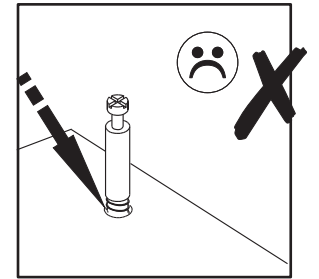
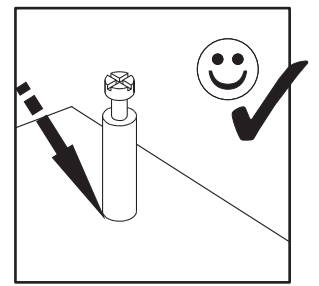
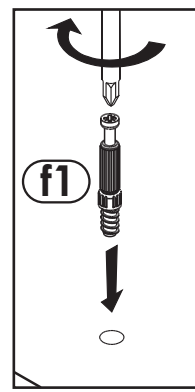
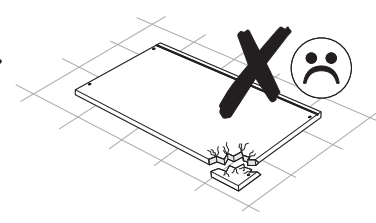
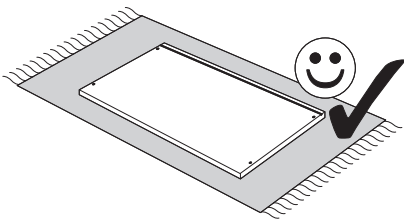


- ① -C2 ⑤ -C1 ⑨ -C1
- ② -C1 ⑥ -C1 ⑩ -C1
- ③ -C2 ⑦ -C1 ⑪ -C1
- ④ -C1 ⑧ -C1 ⑫ -C1

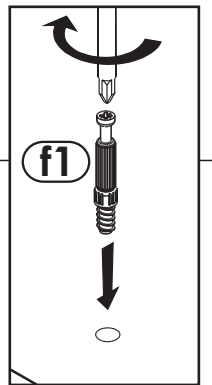
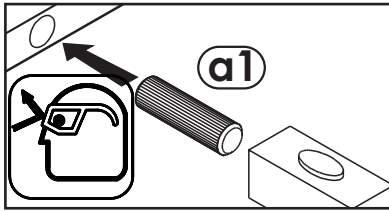
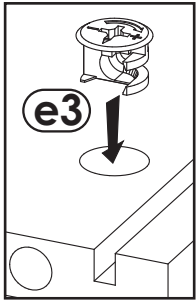
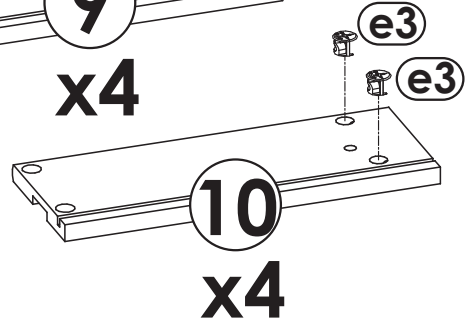
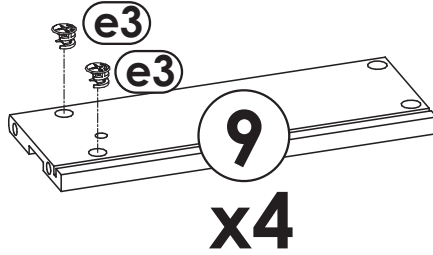
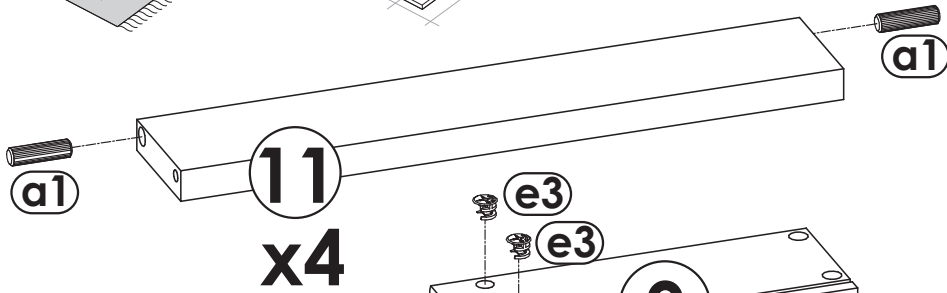
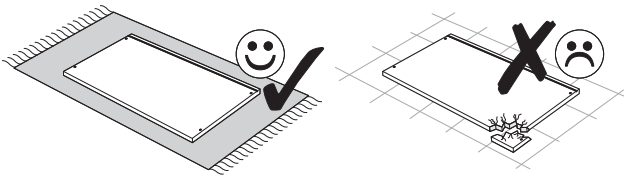




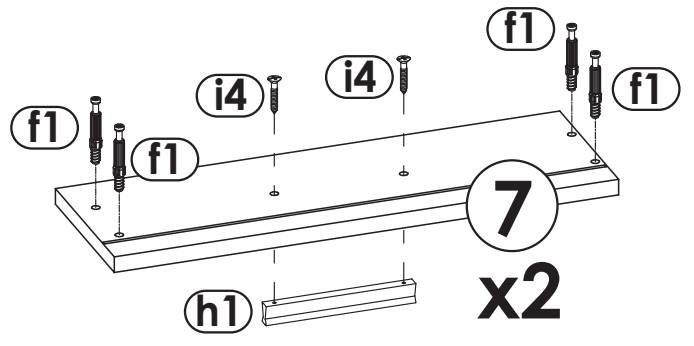
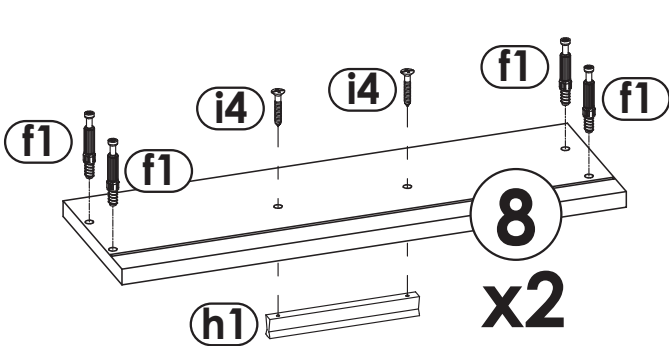
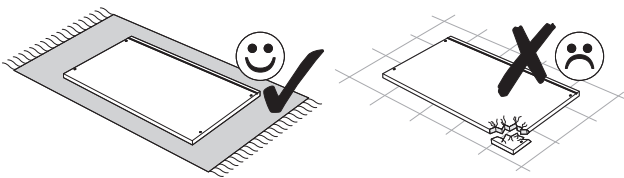
2



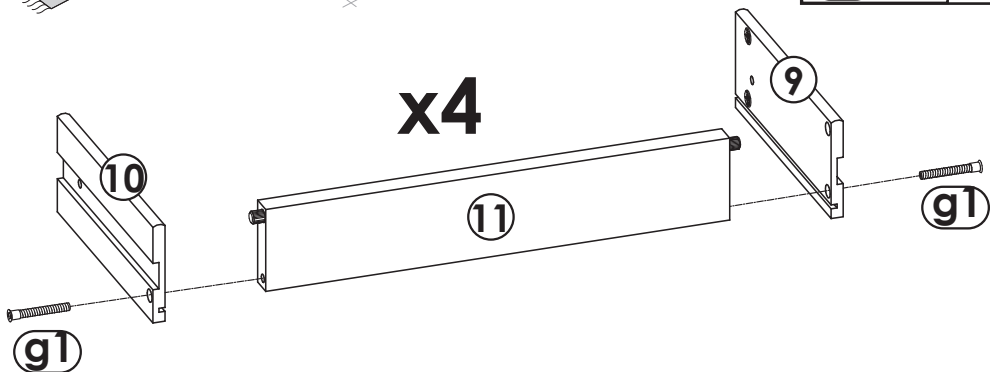
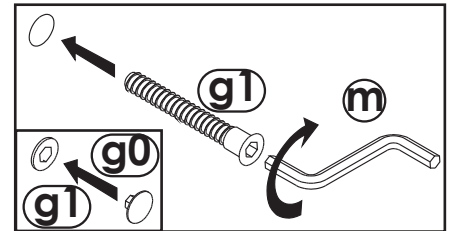
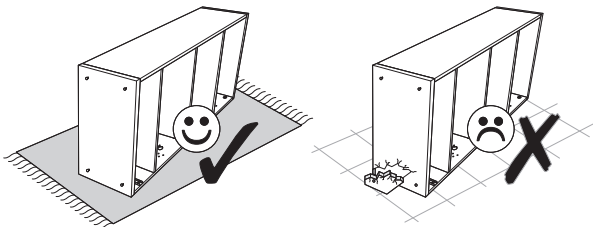
3
▼

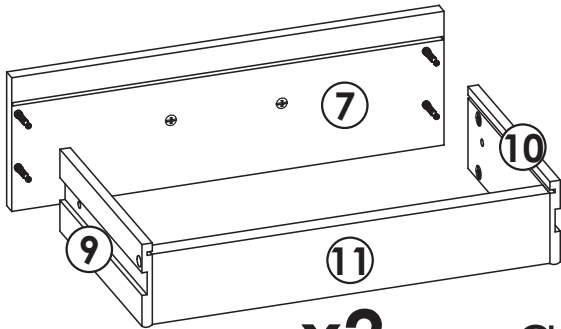
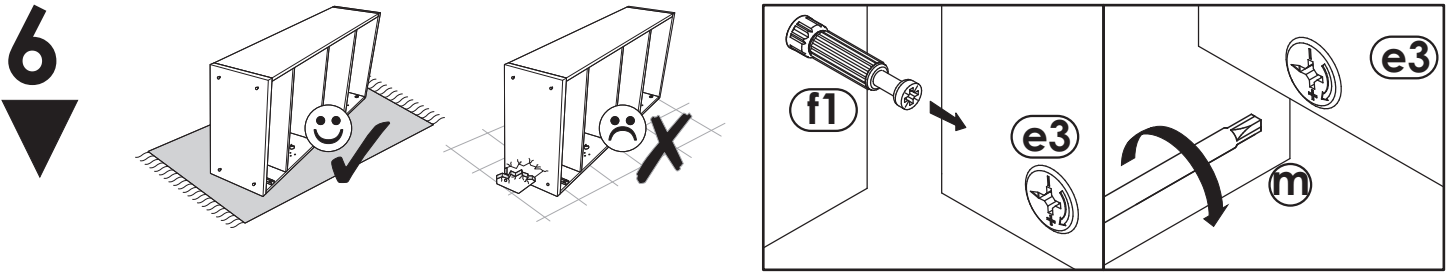


4
▼



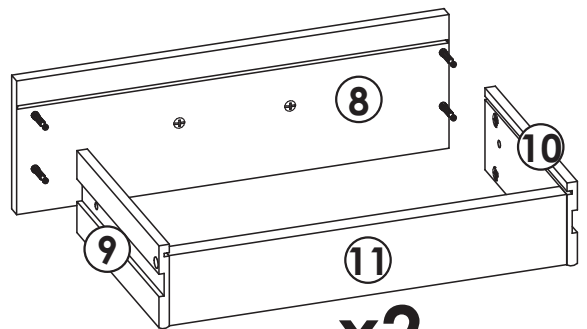
5
▼



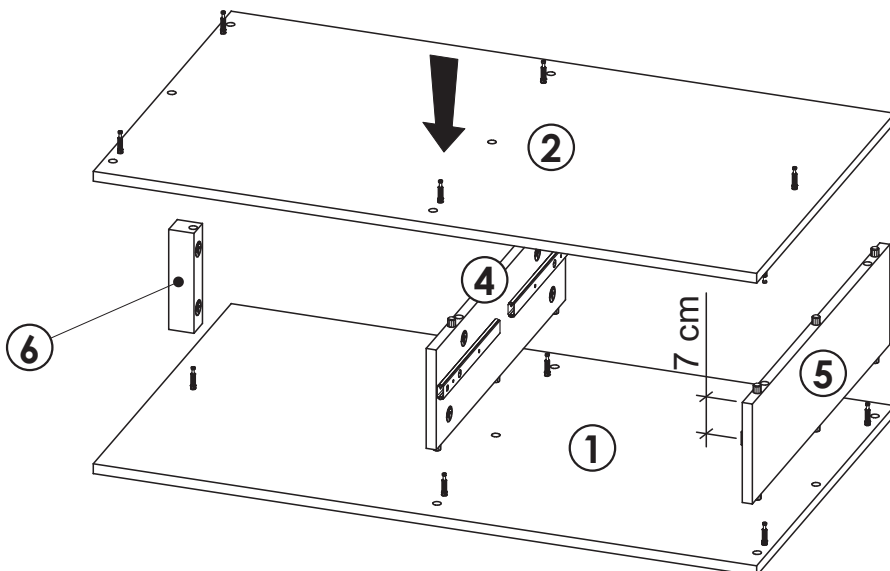
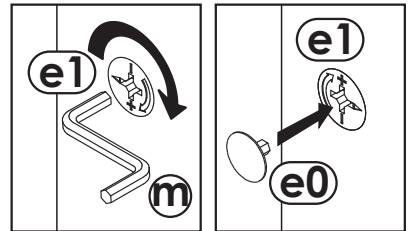
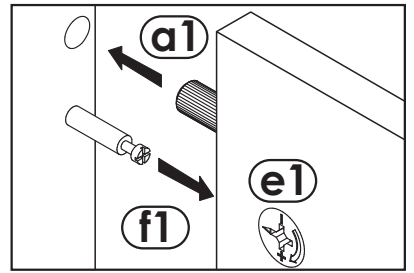
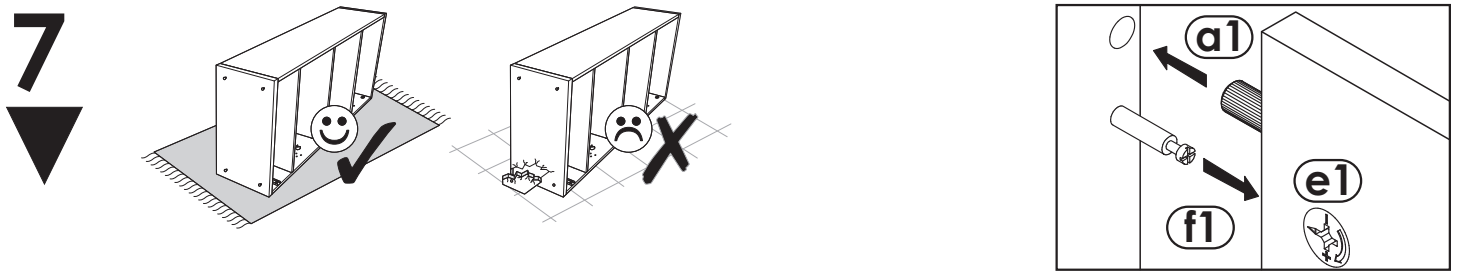
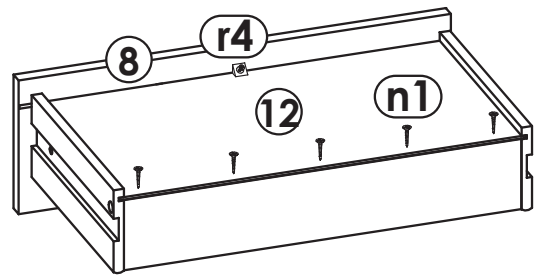
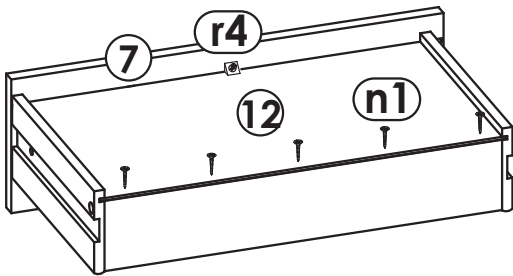
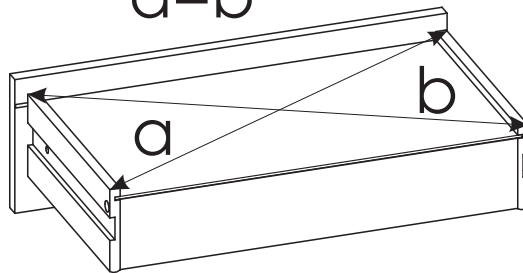
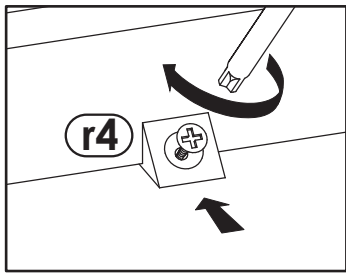


x2

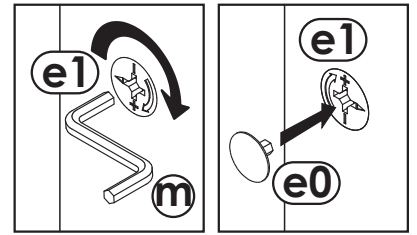
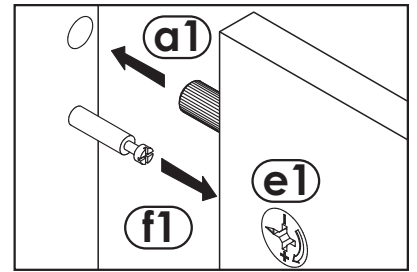
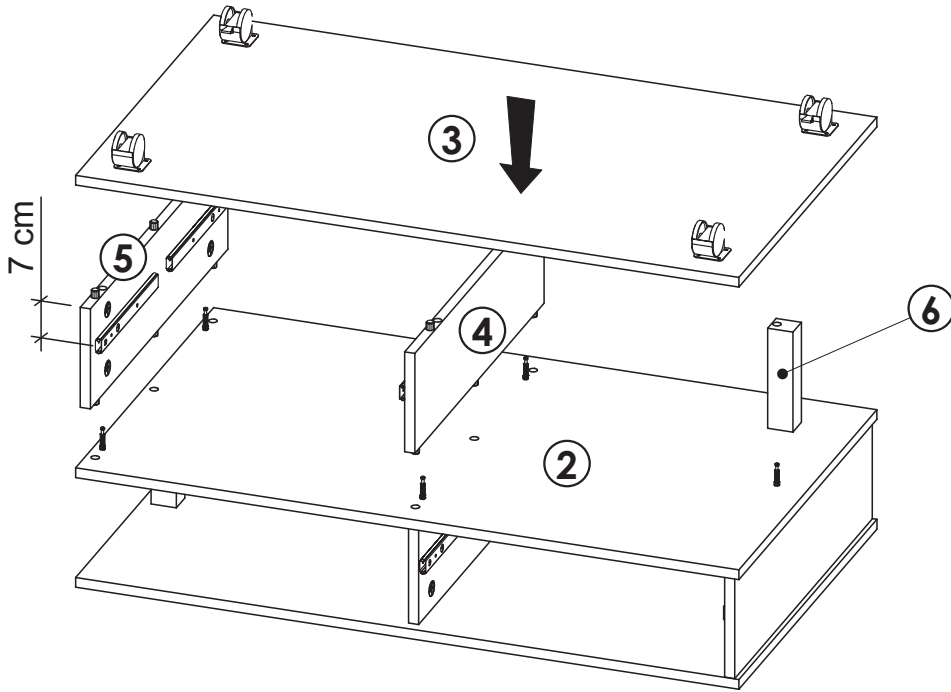
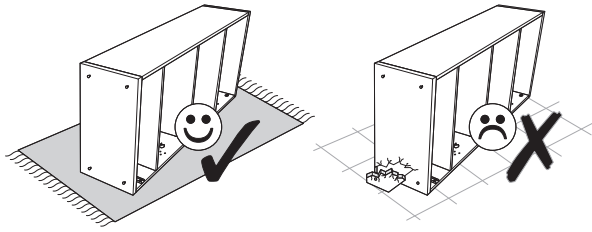
$a=b$



x2



8



9

