

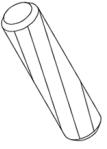


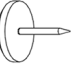


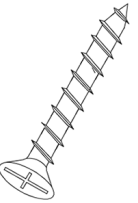


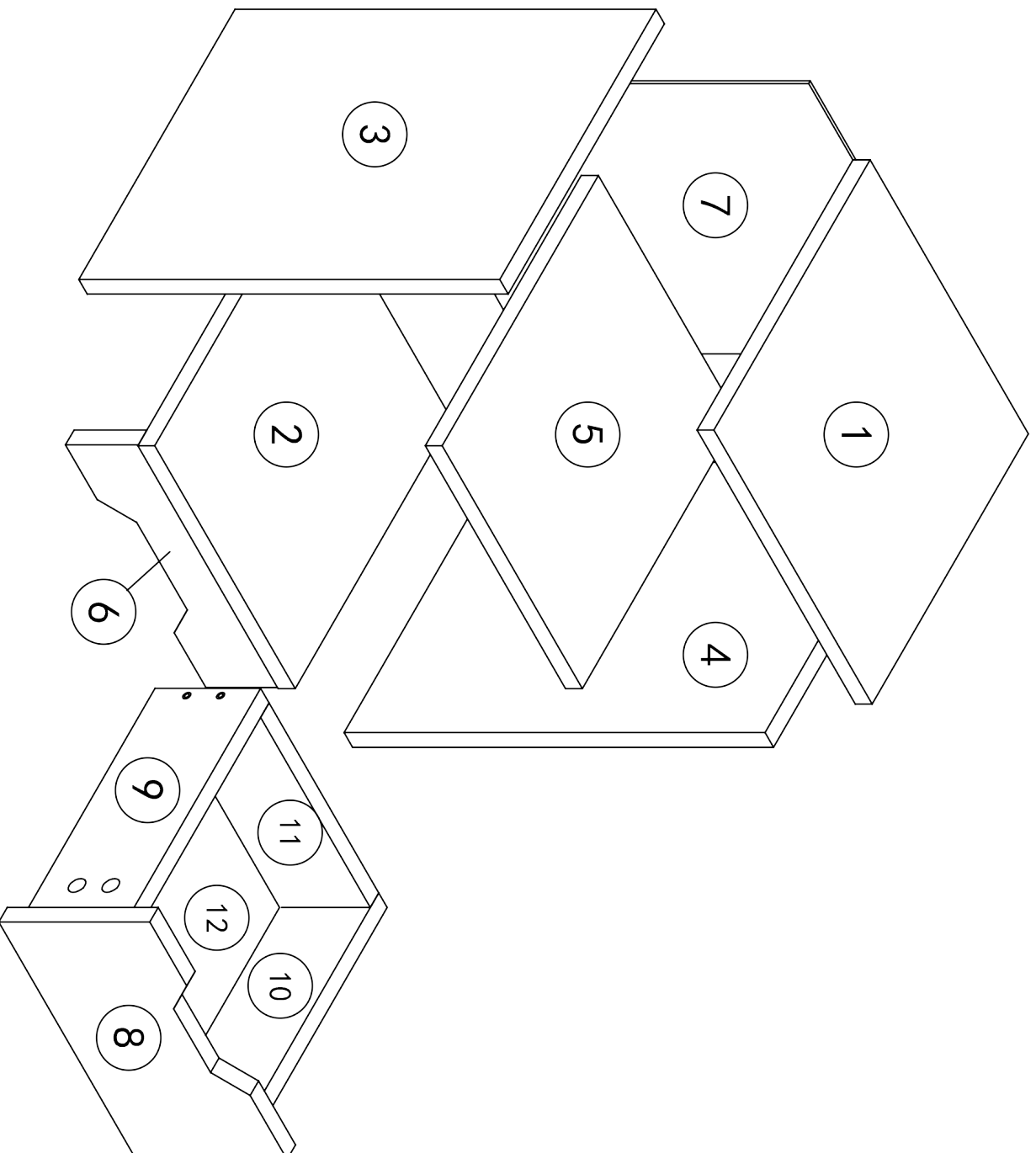
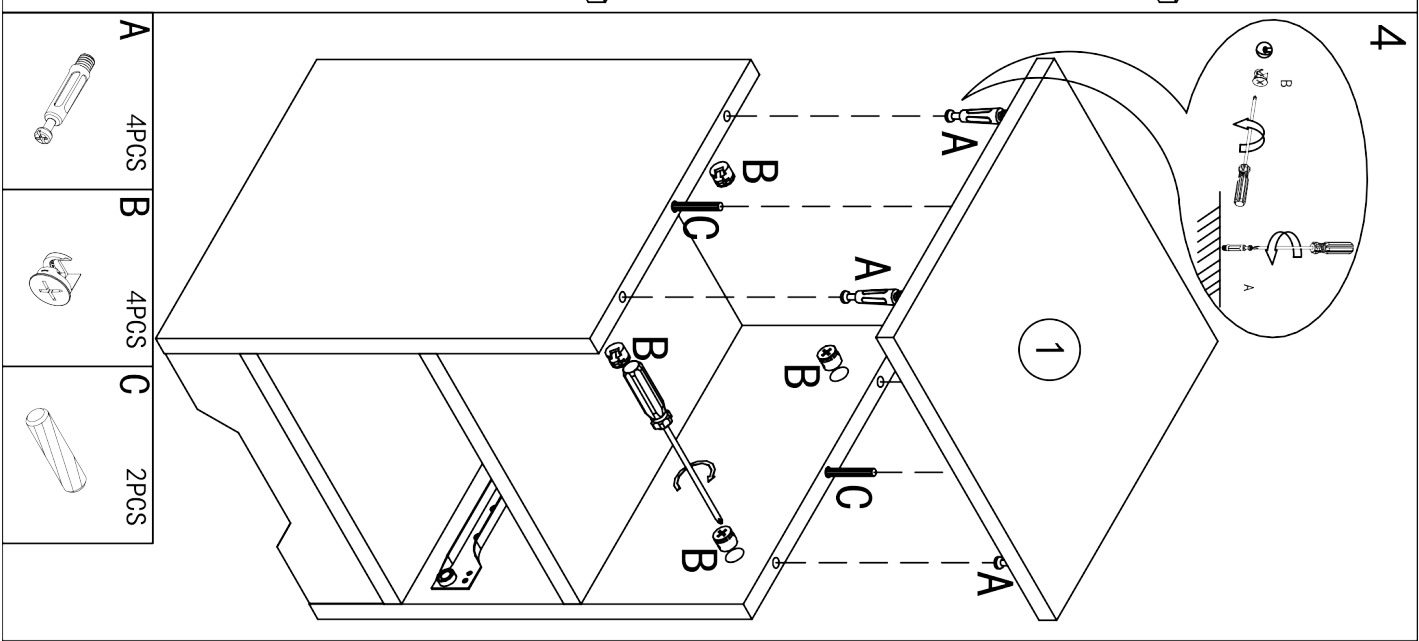
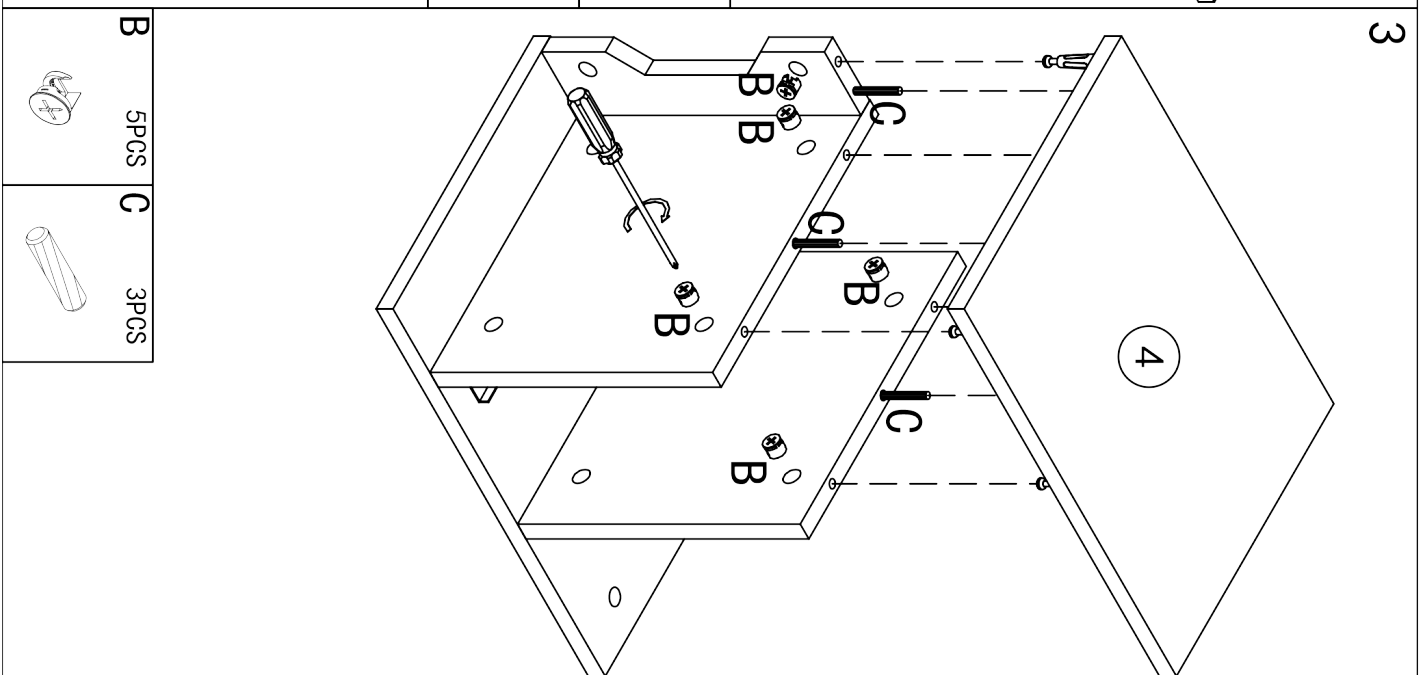
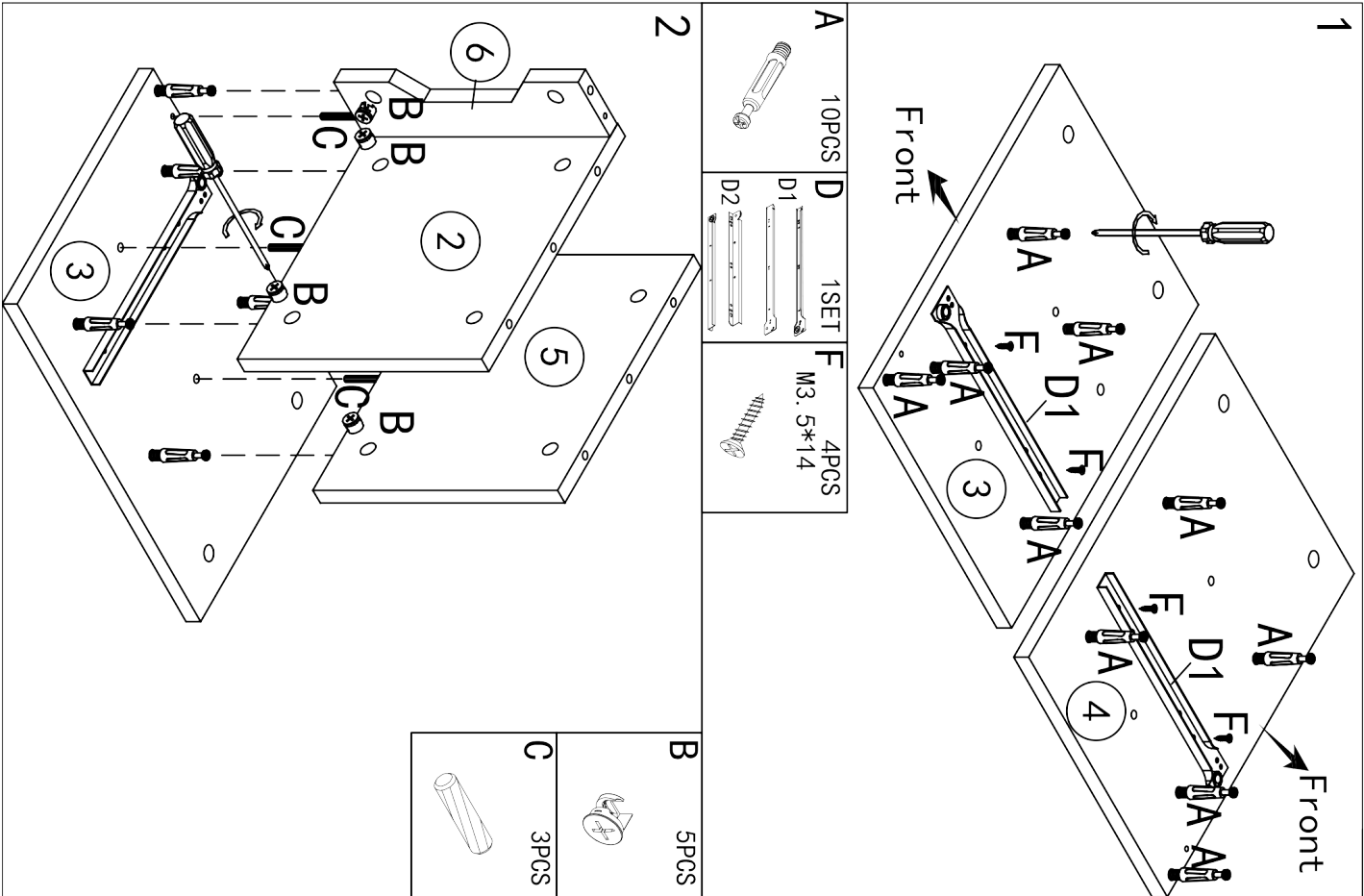
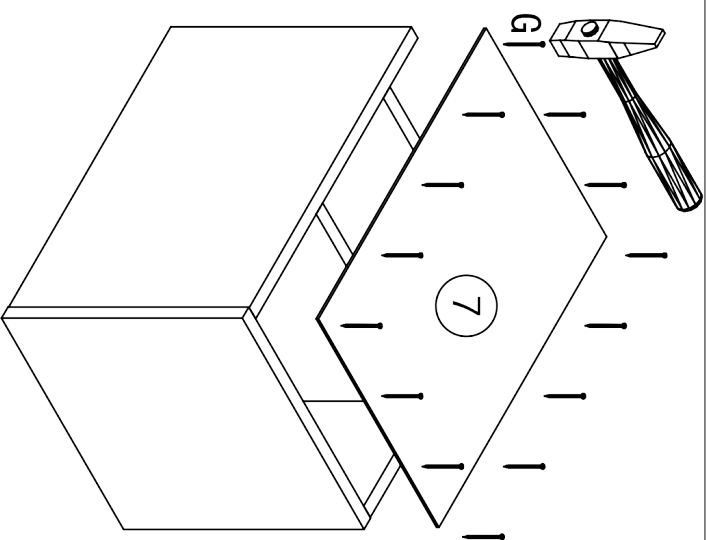
	<p>A 18PCS</p> 	<p>B 18PCS</p> 	
<p>C 8PCS</p> 	<p>D 1SET</p> <p>D1</p>  <p>D2</p> 	<p>E 4PCS</p> 	<p>F 8PCS</p> <p>M3. 5*14</p> 
<p>G 15PCS</p> 	<p>H 4PCS</p> <p>M3. 5*30</p> 	<p>J 2PCS</p> 	



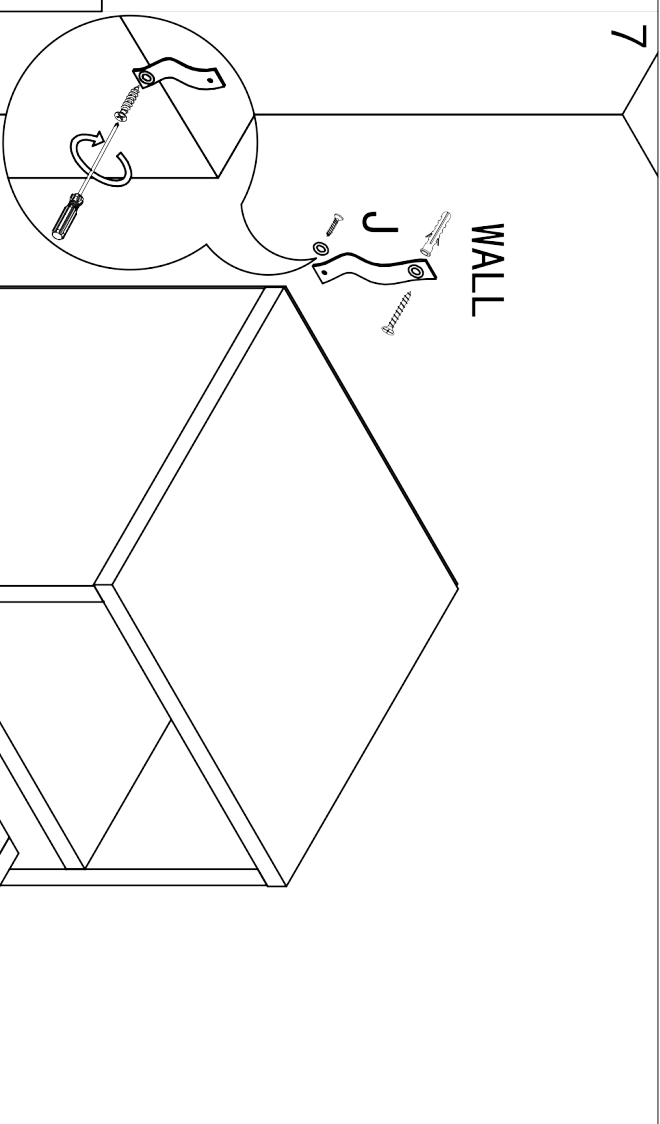
1	300 × 296 × 16	1pcs
2	266 × 296 × 16	1pcs
3	399 × 296 × 16	1pcs
4	399 × 296 × 16	1pcs
5	266 × 296 × 16	1pcs
6	266 × 69 × 16	1pcs
7	413 × 296 × 3	1pcs
8	260 × 143 × 16	1pcs
9	250 × 100 × 16	1pcs
10	250 × 100 × 16	1pcs
11	208 × 99 × 16	1pcs
12	243 × 218 × 3	1pcs



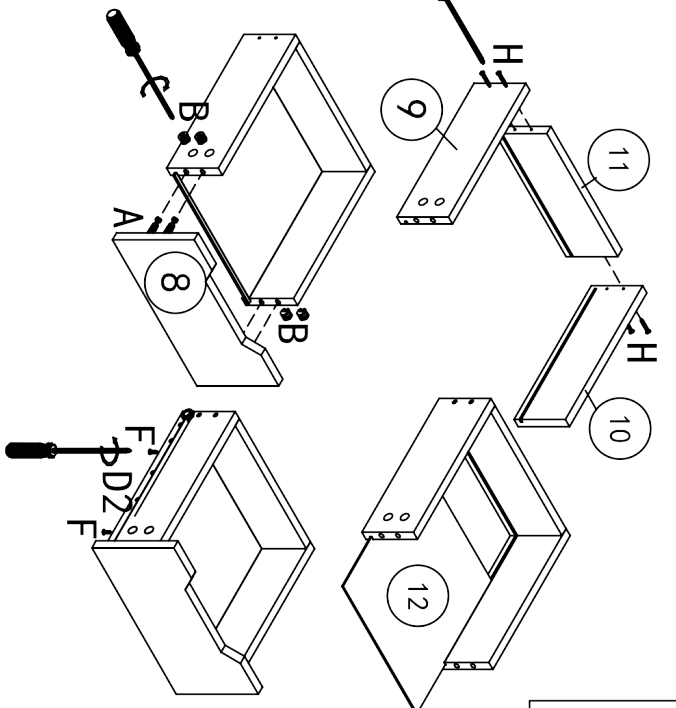
5



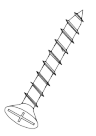
7



6




H
4PCS
M3, 5*30




G	15PCS	A	4PCS
		B	4PCS
		D	1SET
		D1	
		D2	
		F	4PCS
			M3, 5*14


D1



D2




F



E

4PCS



J

2PCS

