







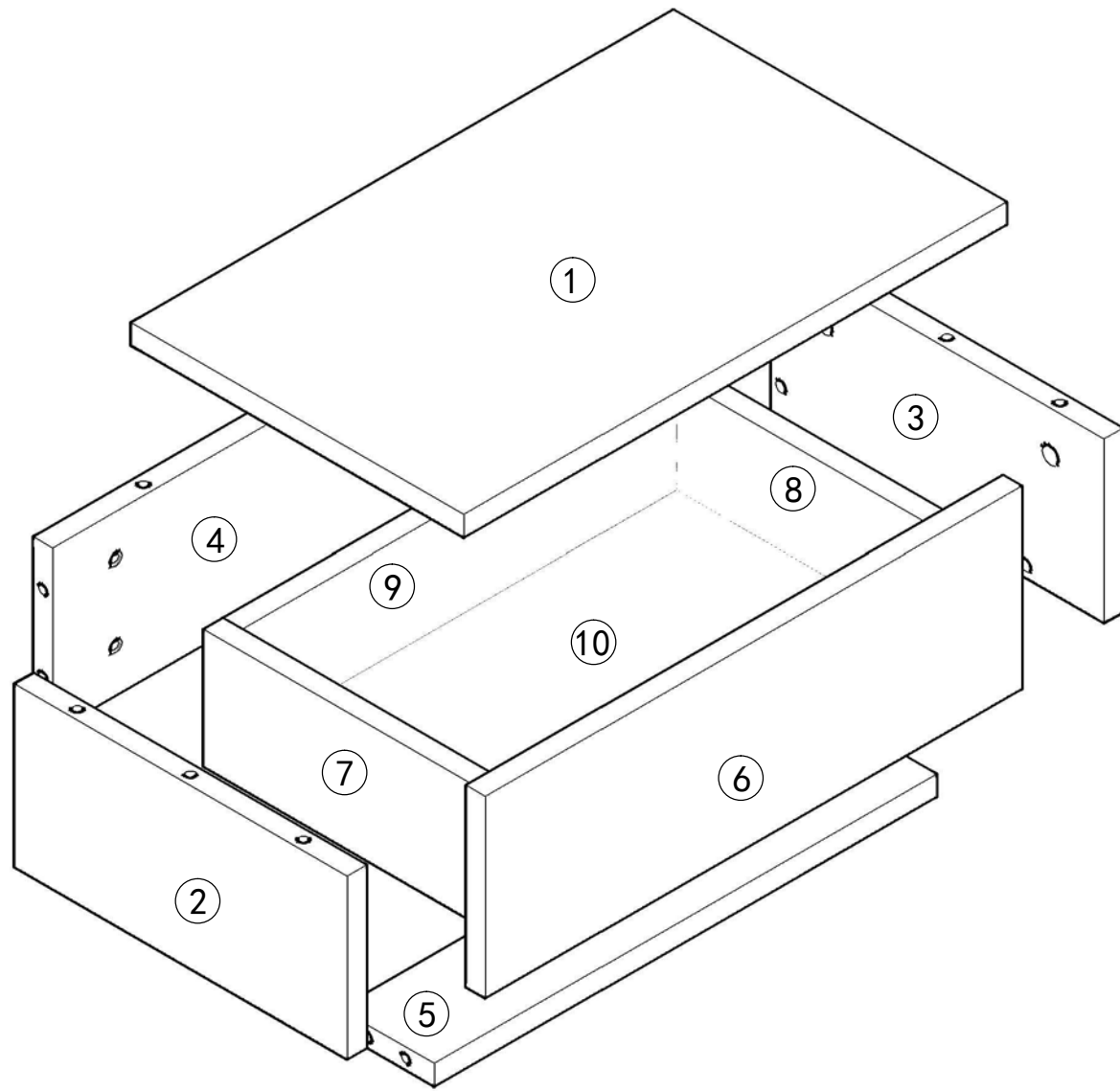
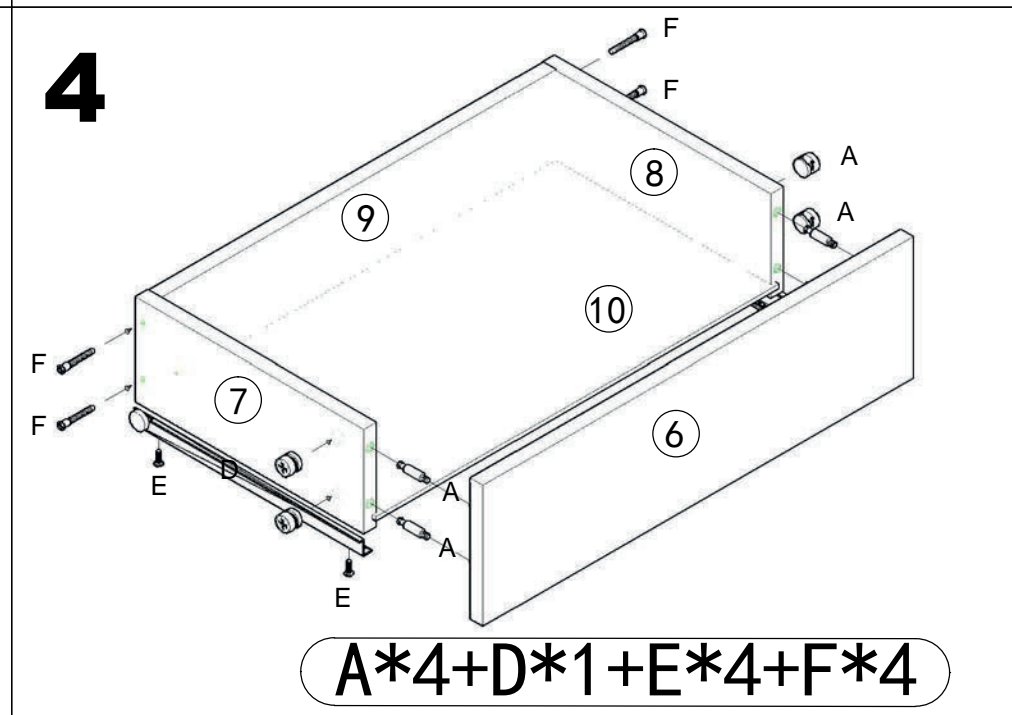
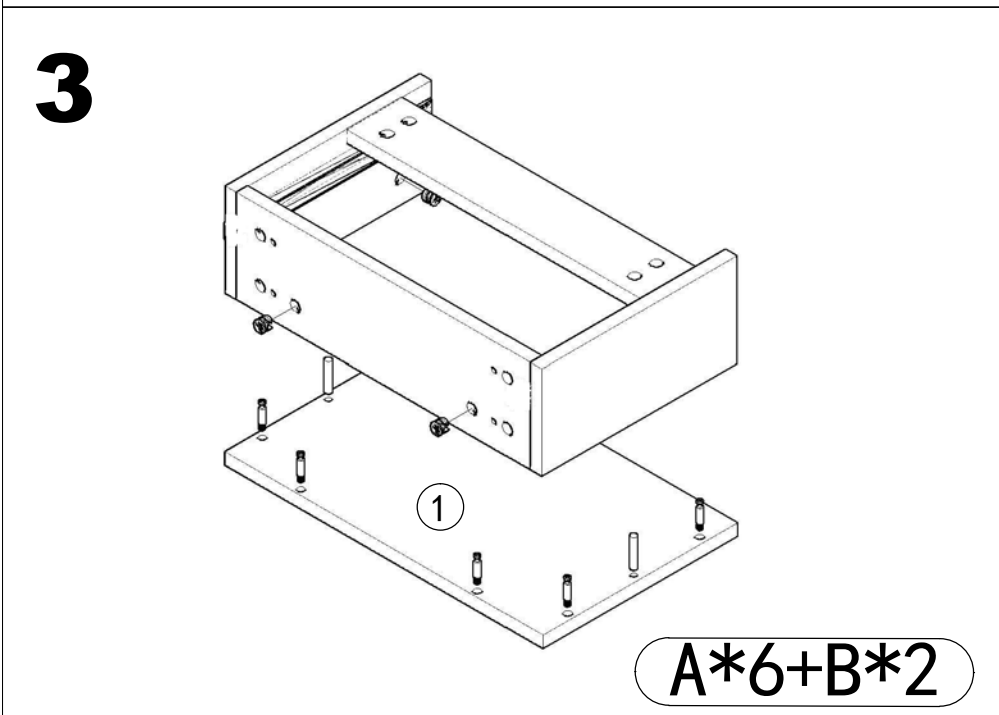
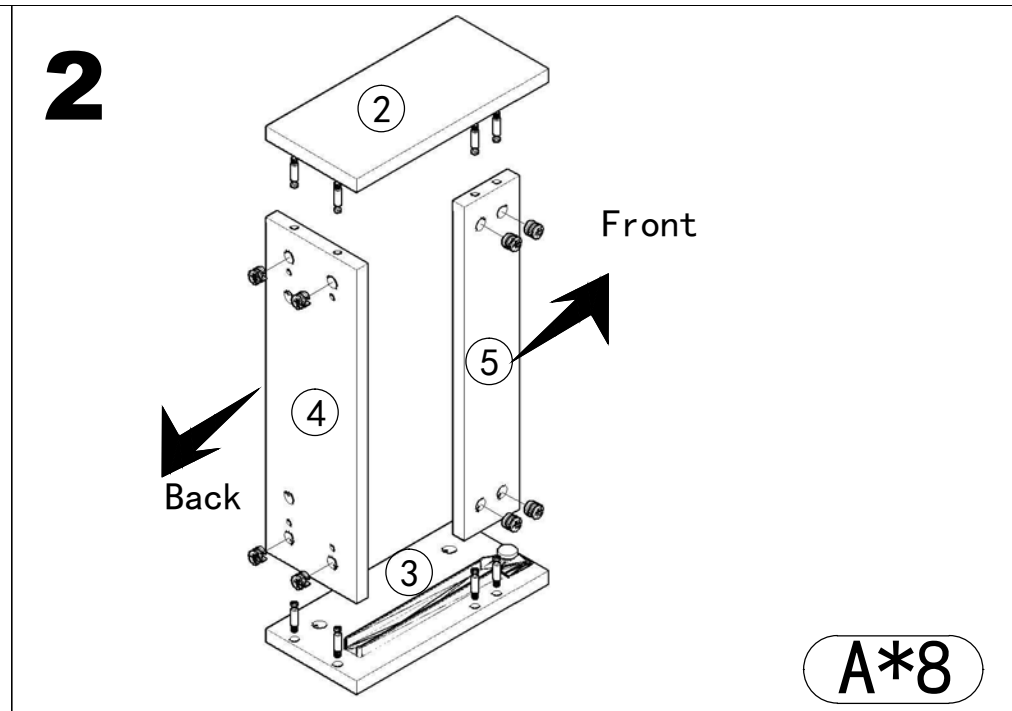
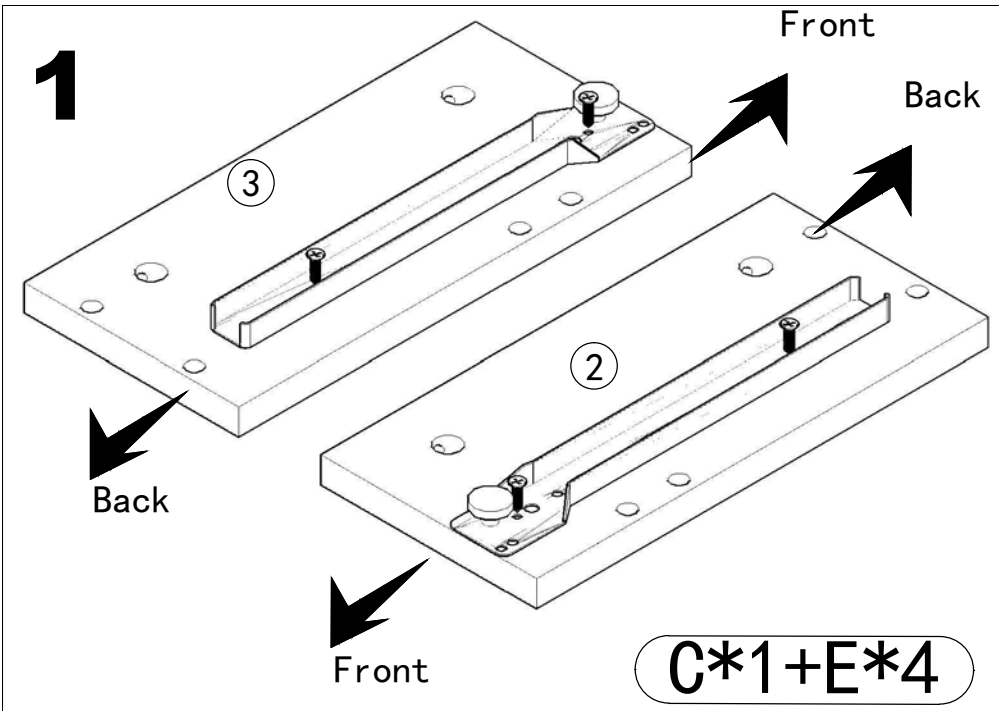


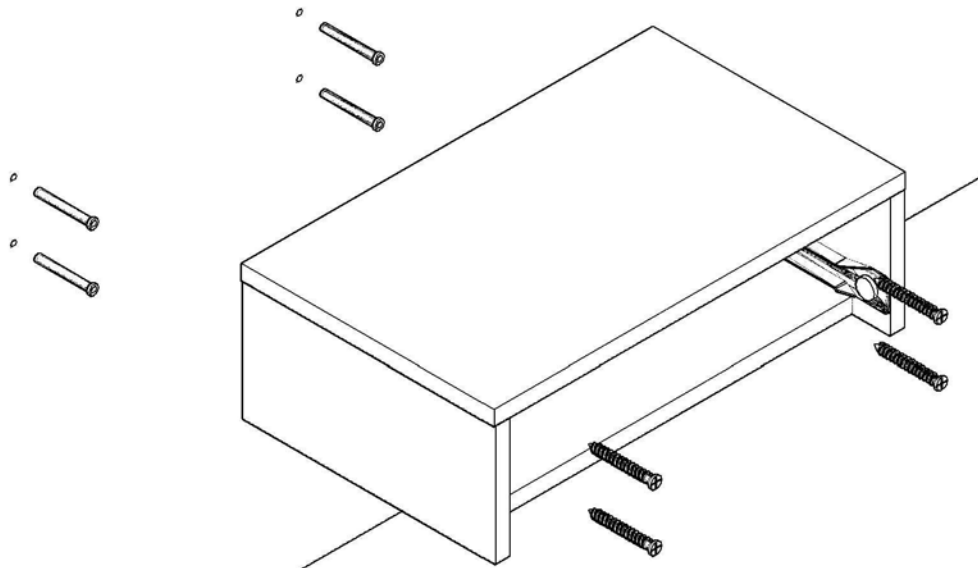
| | | | |
|----------|-----|---|--|
| A | 18x |  | |
| B | 2x |  | |
| C | 1x |  | |
| D | 1x |  | |
| E | 8x |  3.5*14 | |
| F | 4x |  3.5*35 | |
| G | 4x |  6*60 | |
| H | 4x |  | |



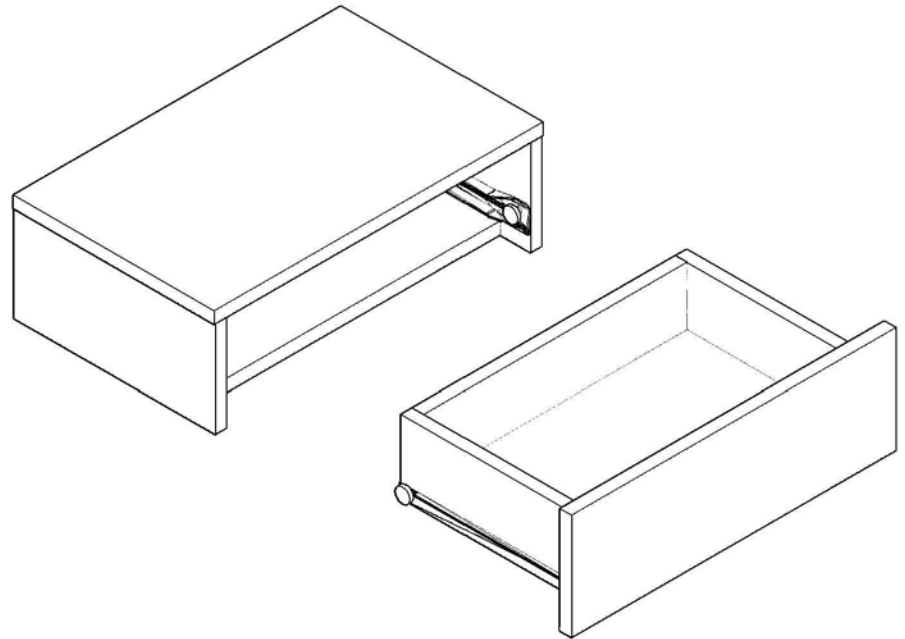




5



6



G*4+H*4