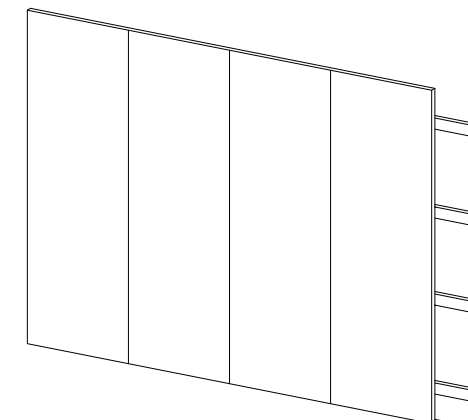
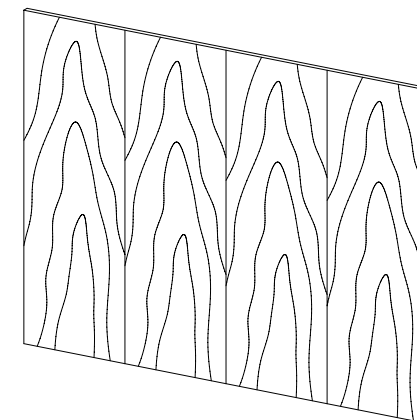
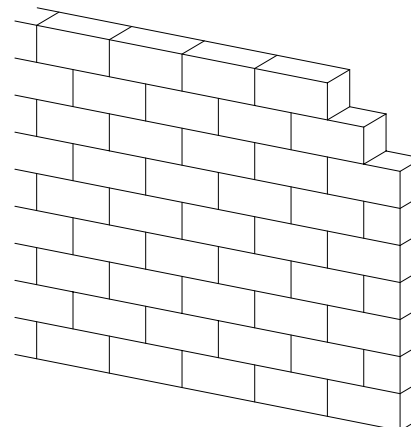
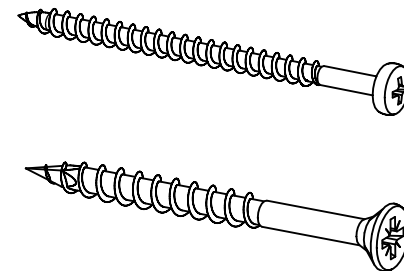
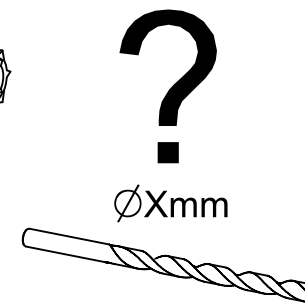
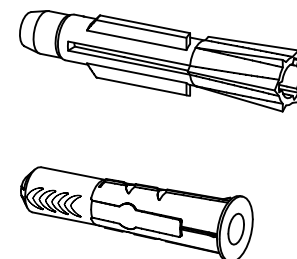
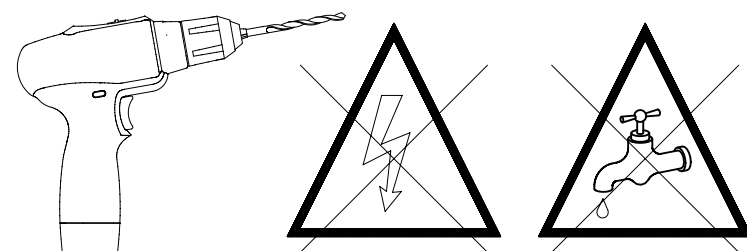
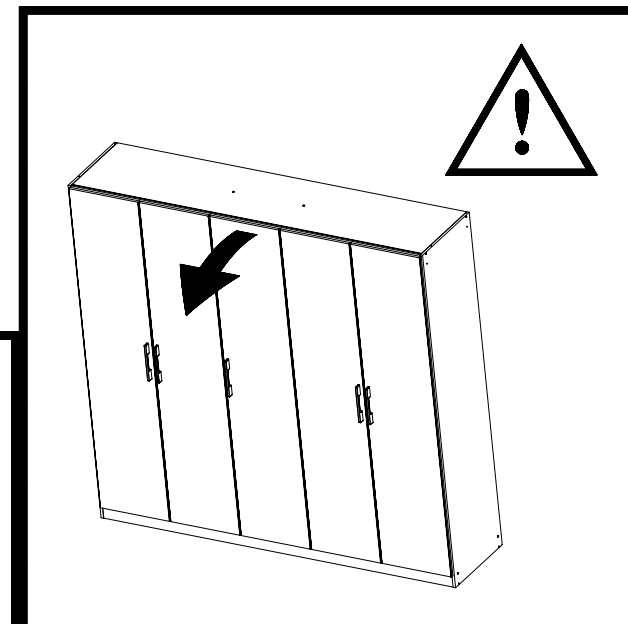
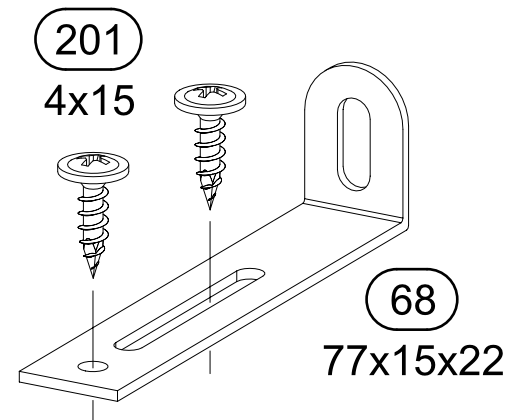
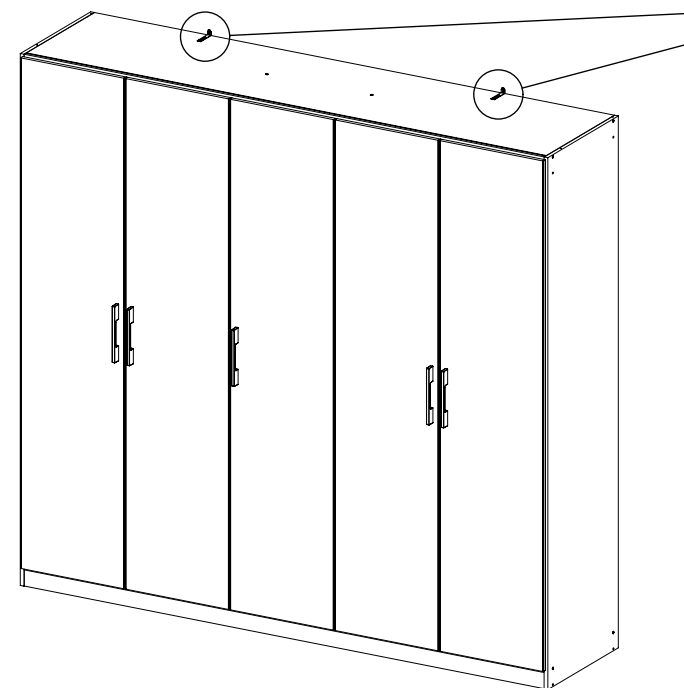
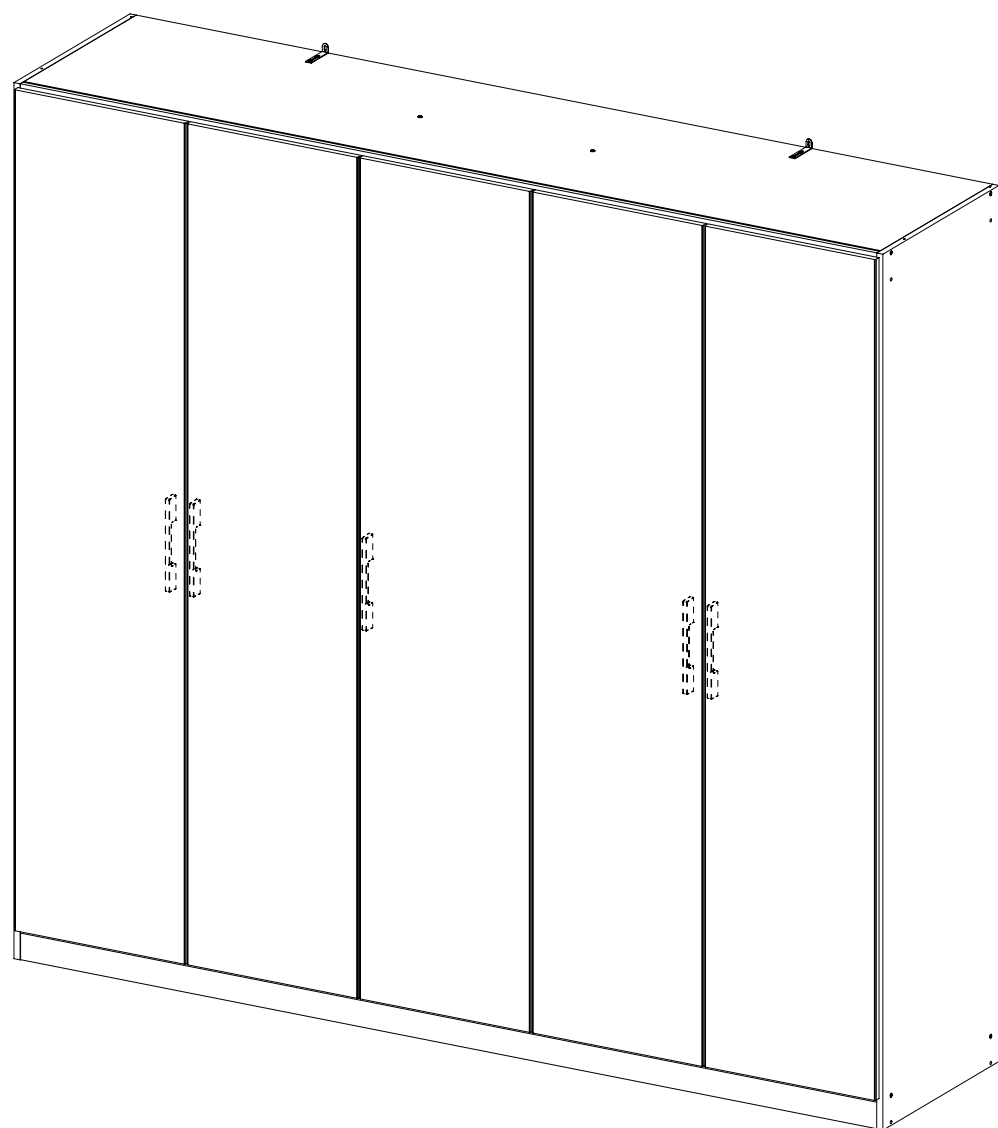
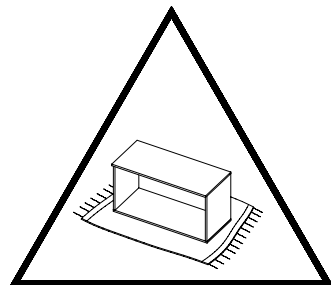
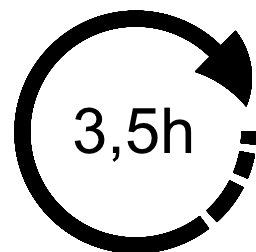
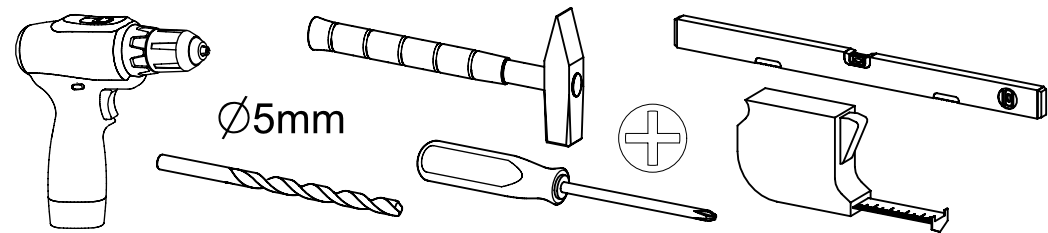
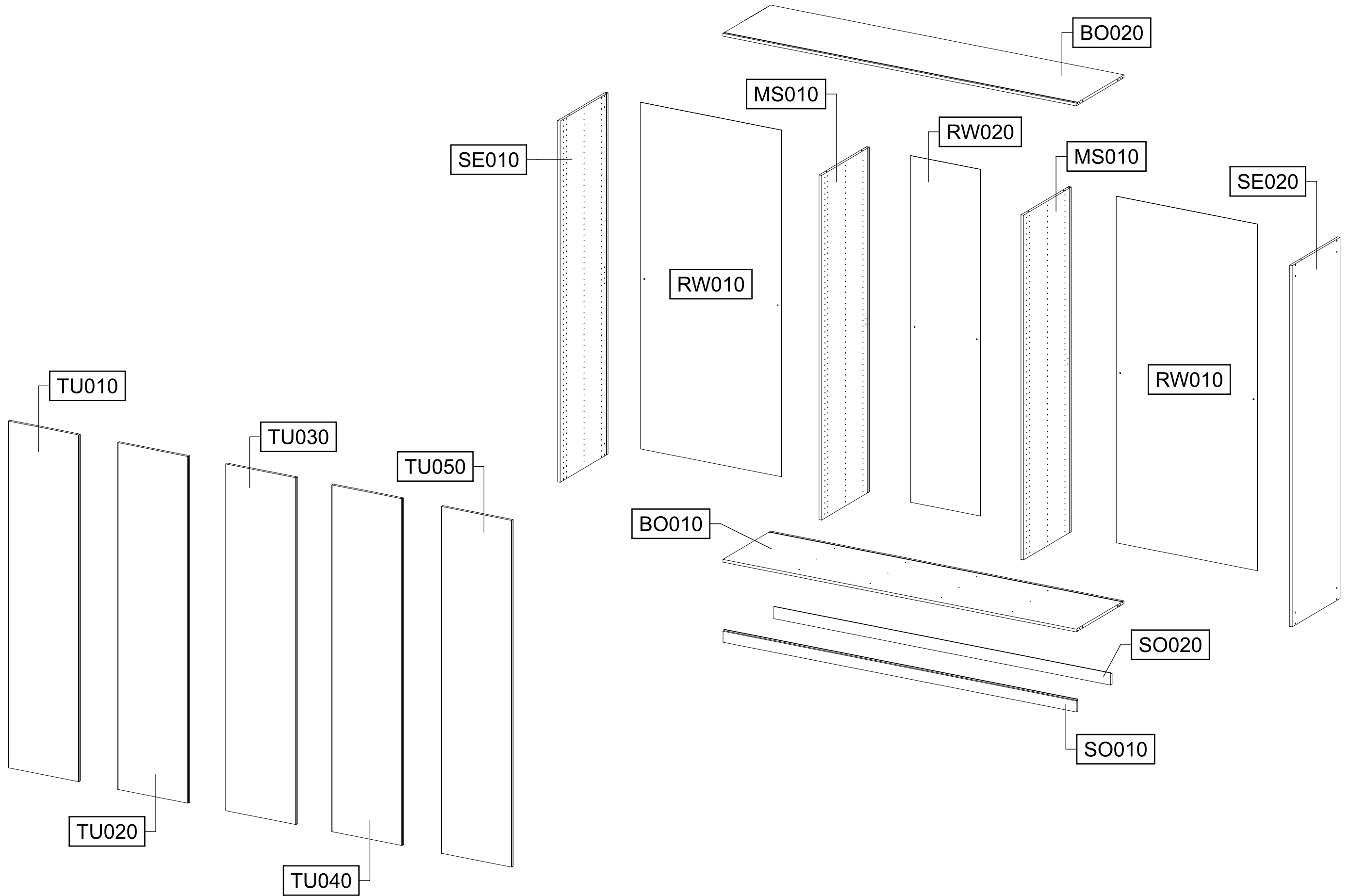
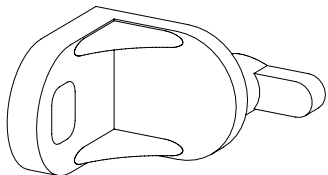
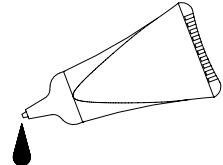
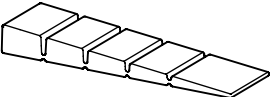

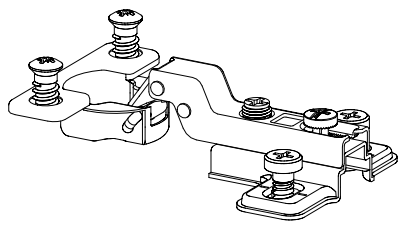
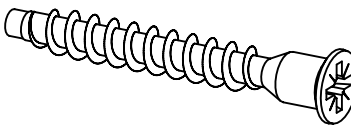
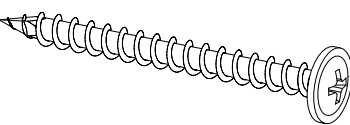
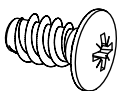
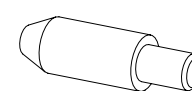
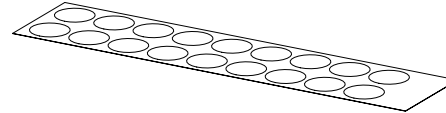
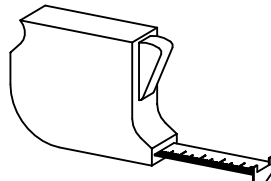


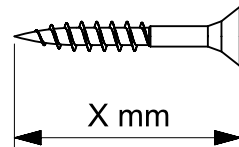
M1793_05

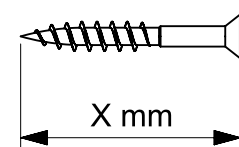


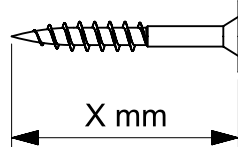


<p>6x</p> <p>1</p> 	<p>11</p> 	<p>2x</p> <p>55x16x6,2</p> <p>12</p> 
<p>8x</p> <p>8x30</p> <p>18</p> 	<p>15x</p> <p>116</p> 	
<p>8x</p> <p>6,3x50</p> <p>233</p> 	<p>2x</p> <p>4,5x50</p> <p>296</p> 	
<p>6x</p> <p>6,5x12</p> <p>779</p> 	<p>8x</p> <p>807</p> 	<p>1x</p> <p>RE010</p> 






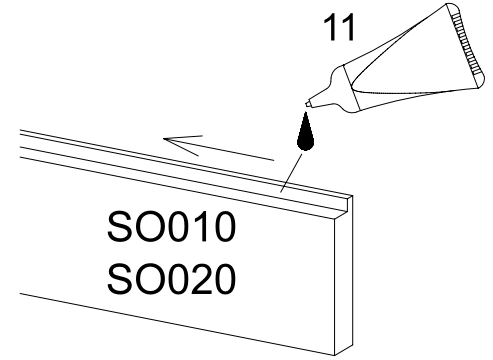


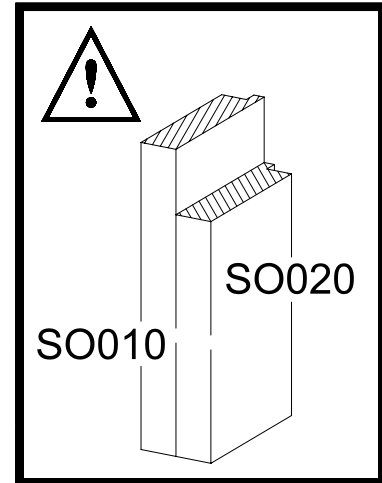


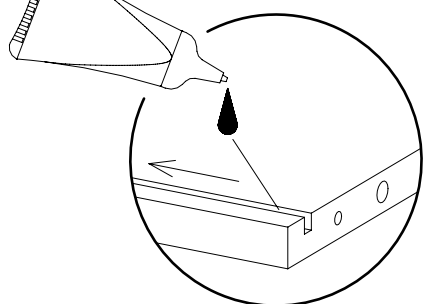
1

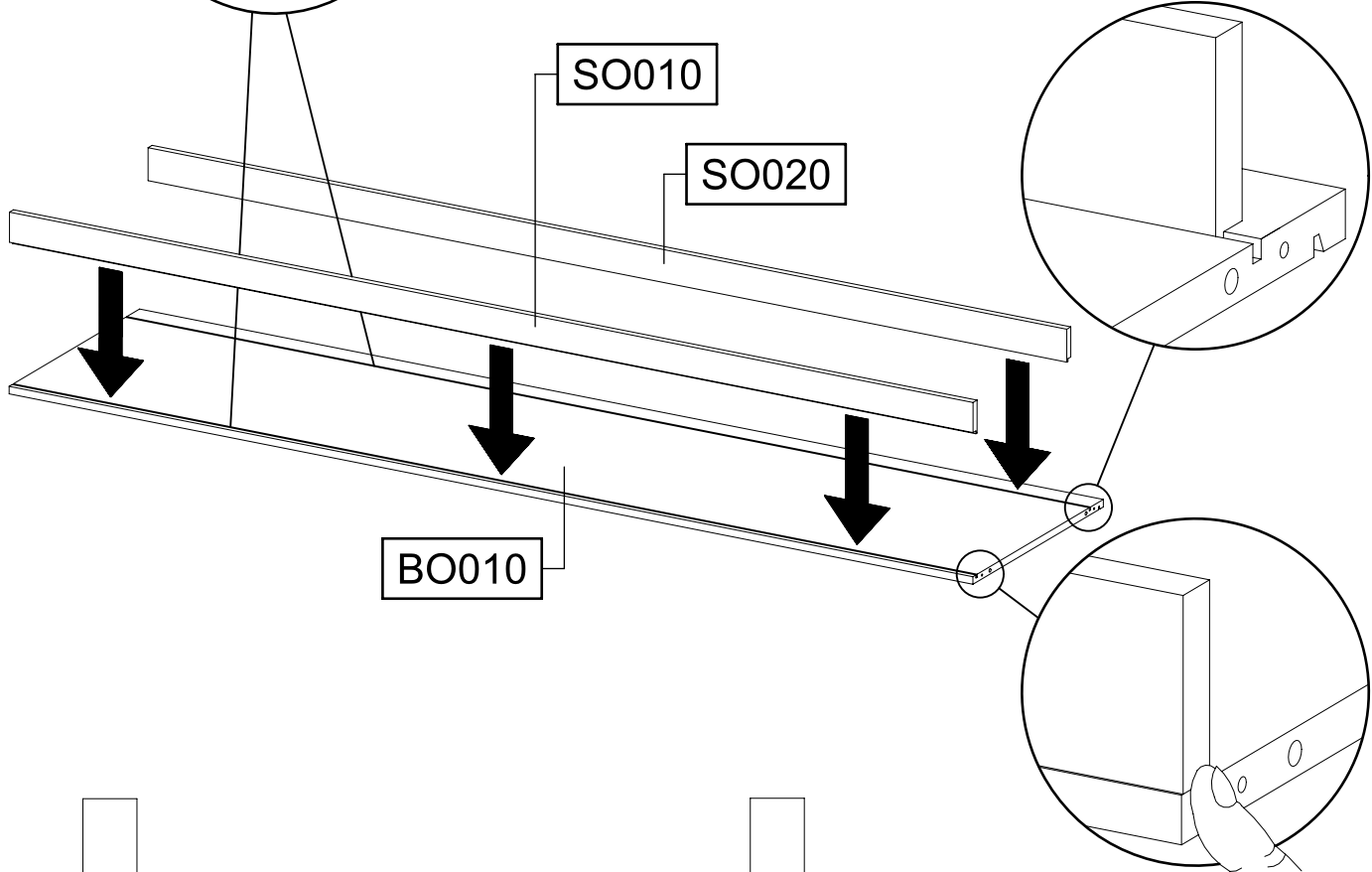
11

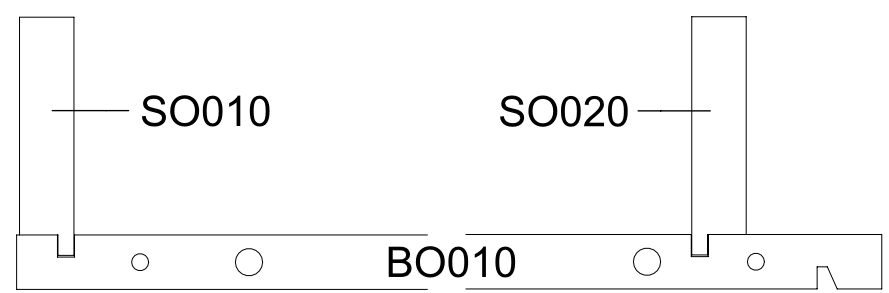


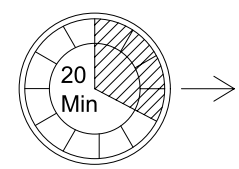


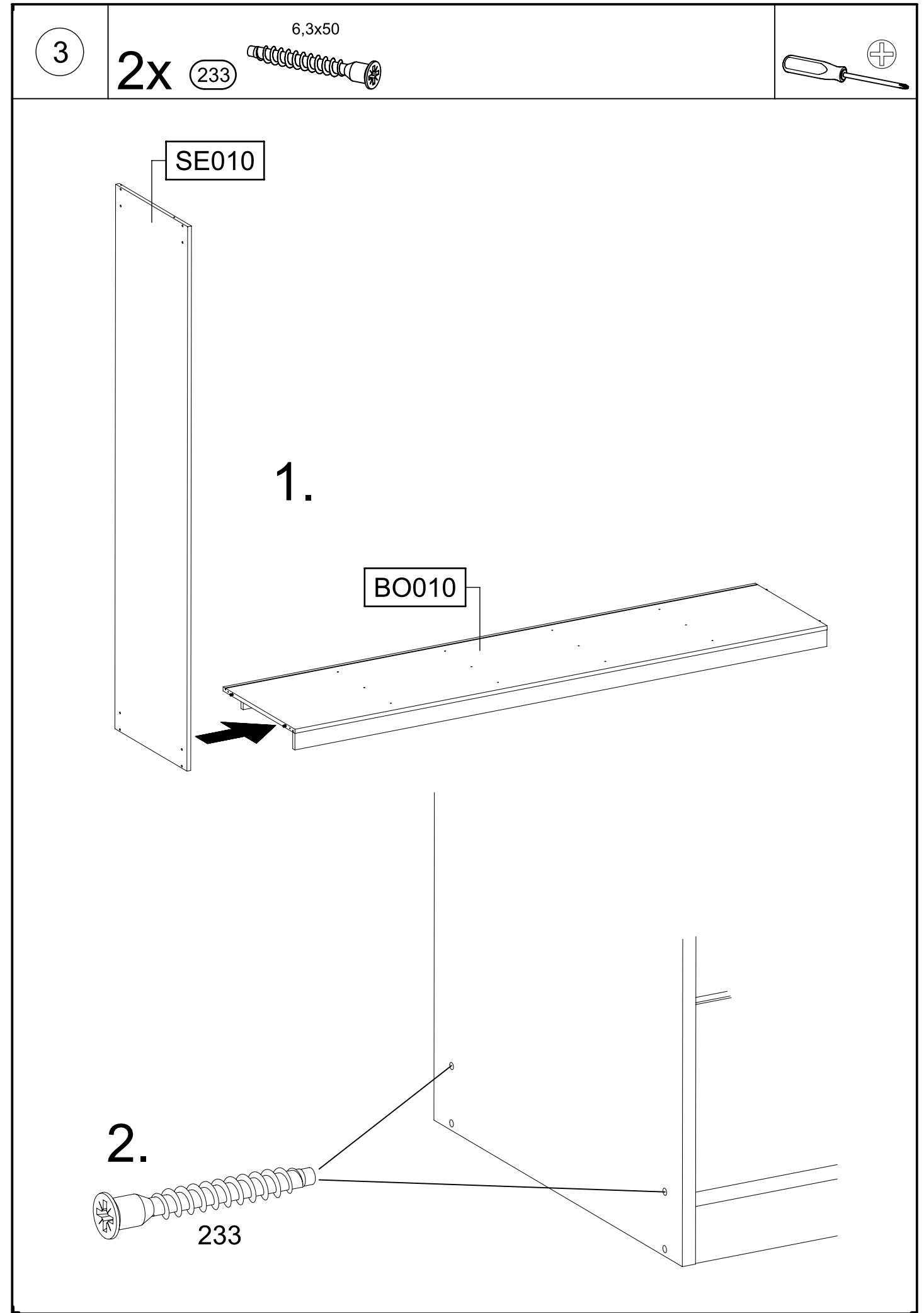
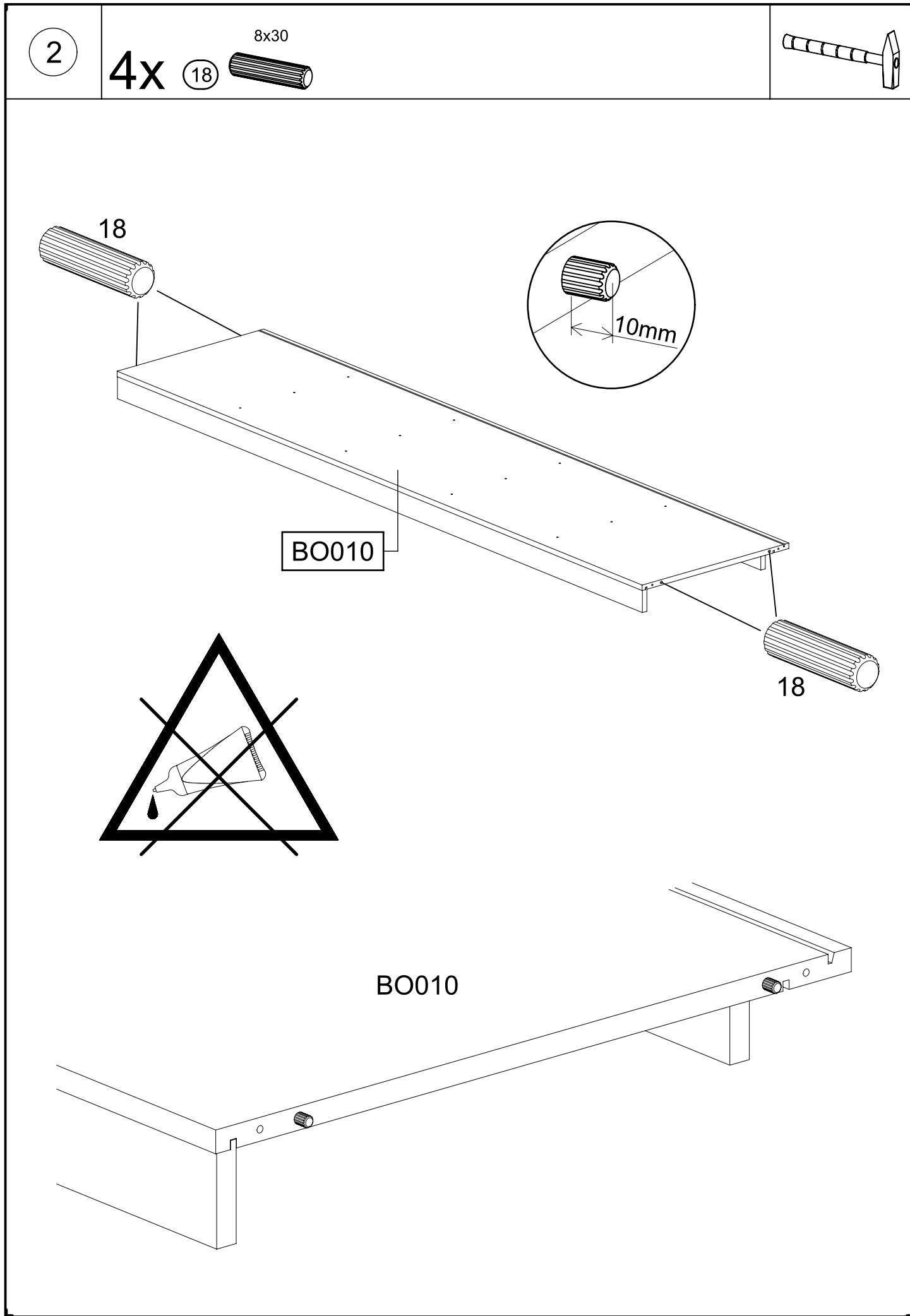






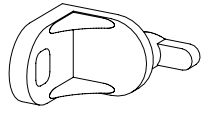






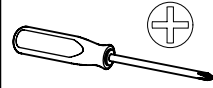
4

1x 1



1x 779

6,5x12

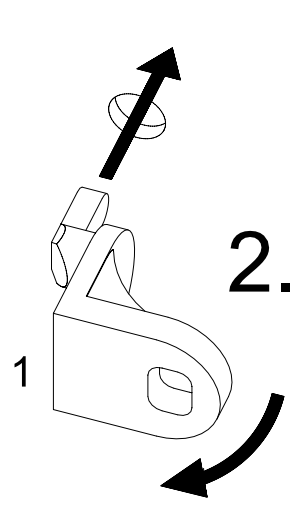


SE010

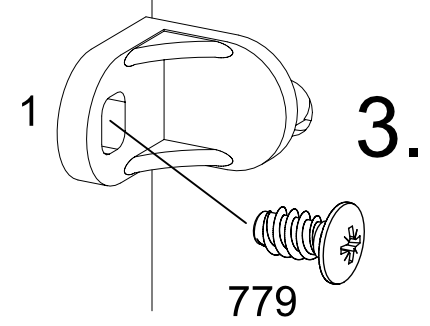
RW010

1.

BO010



2.

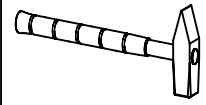
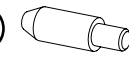


3.

779

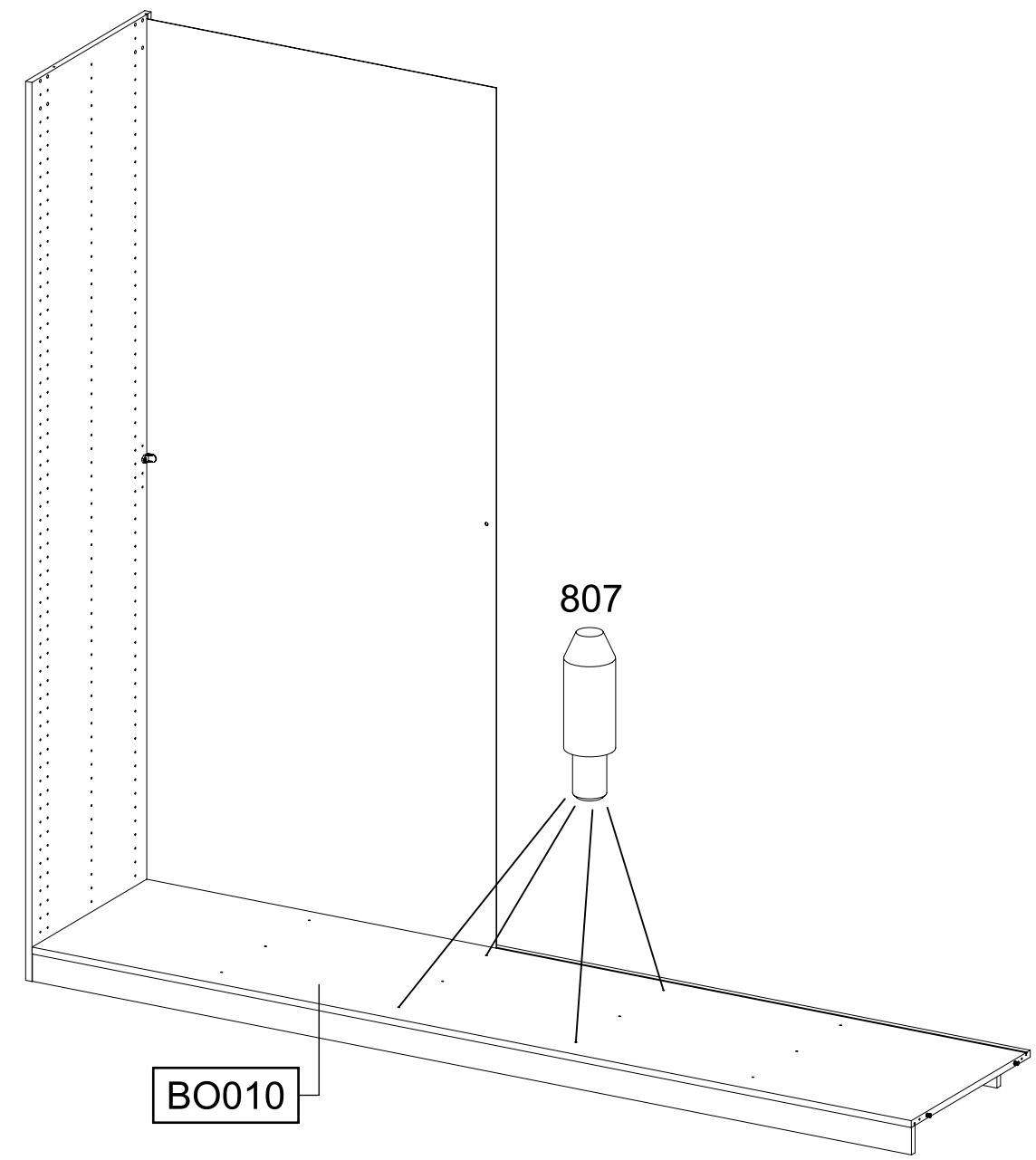
5

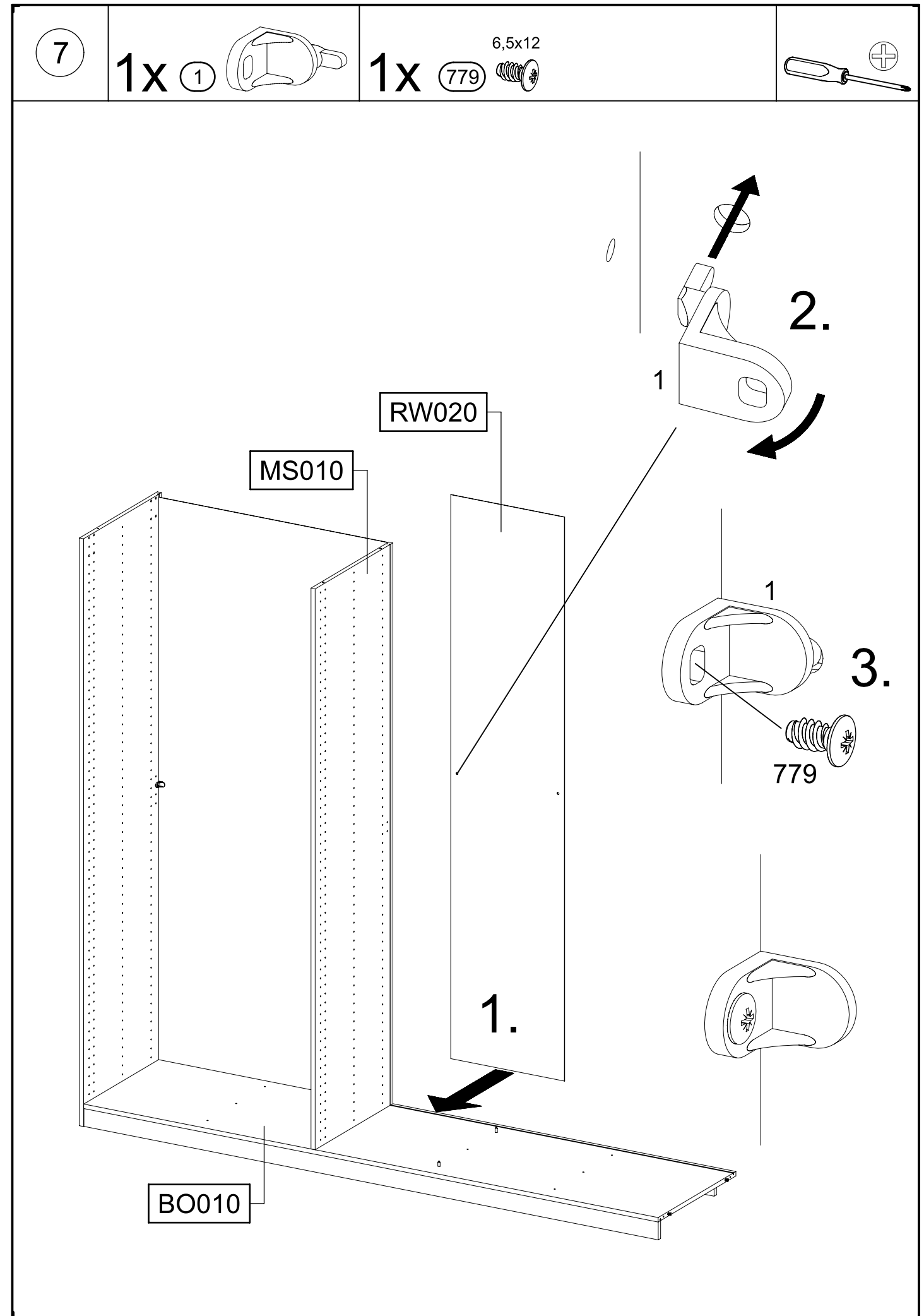
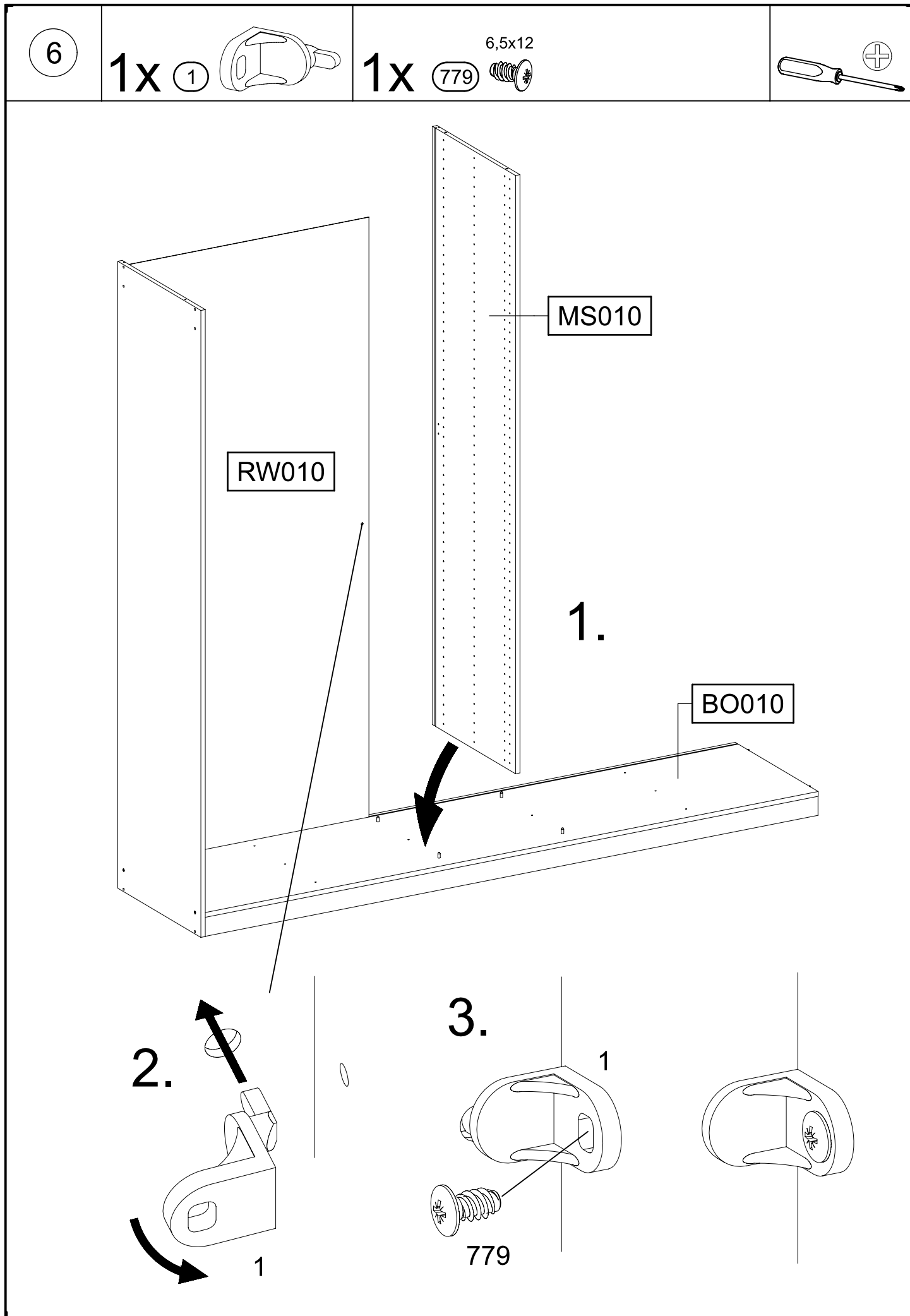
4x 807



BO010

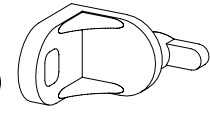
807





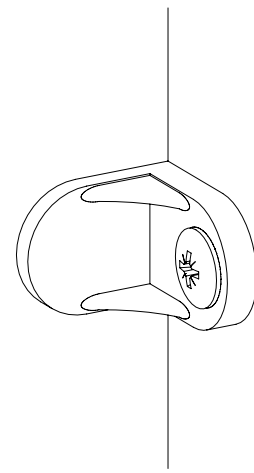
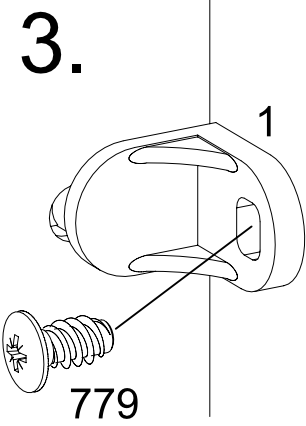
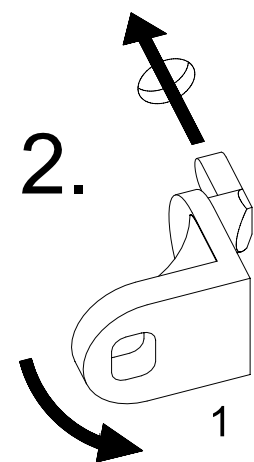
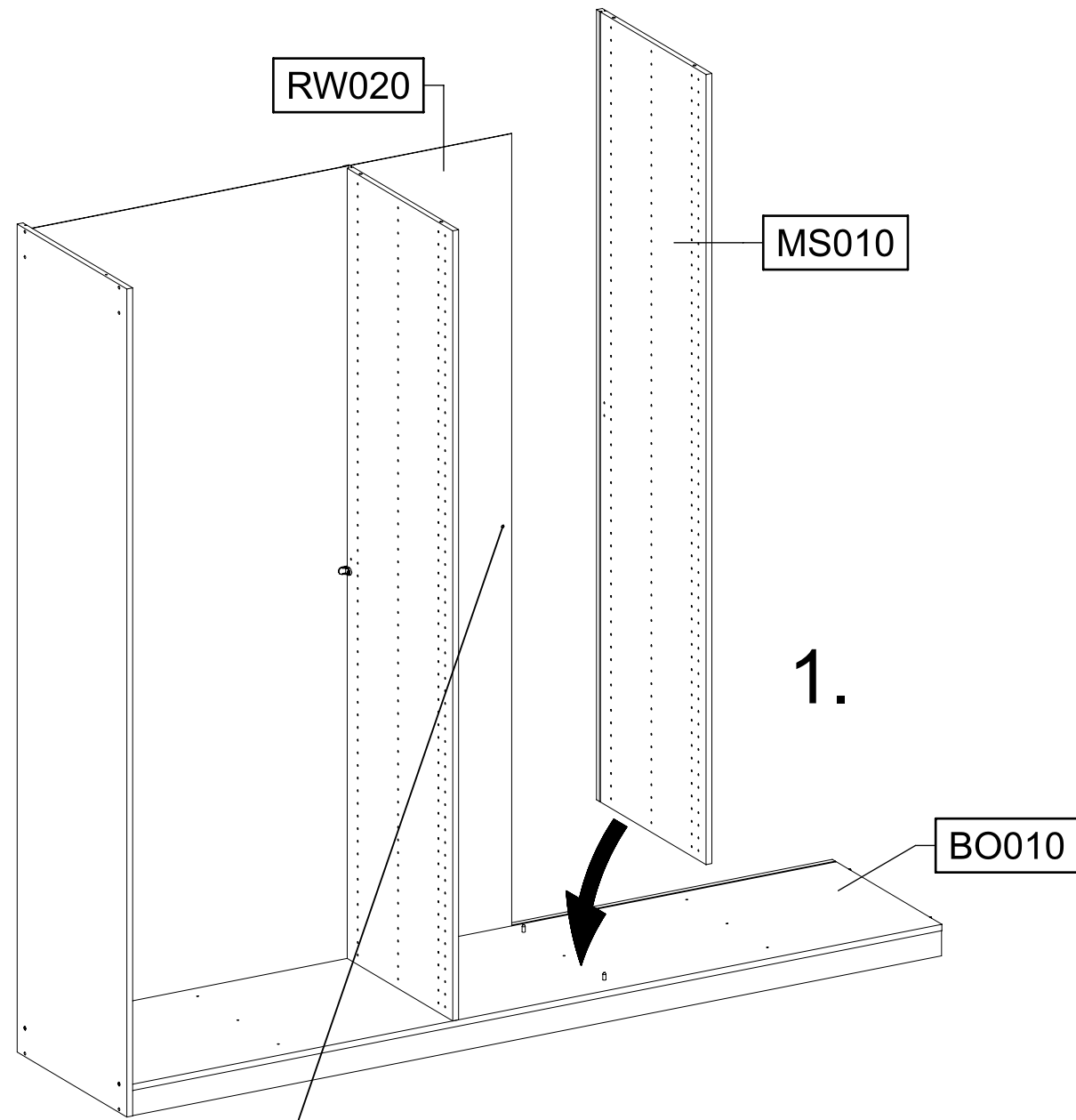
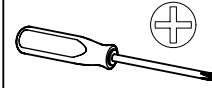
8

1x 1



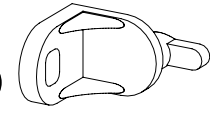
1x 779

6,5x12



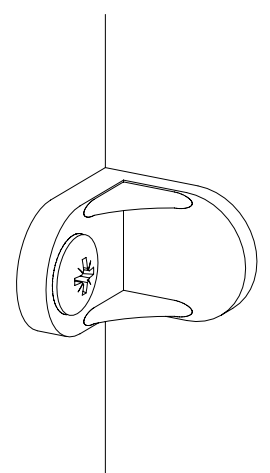
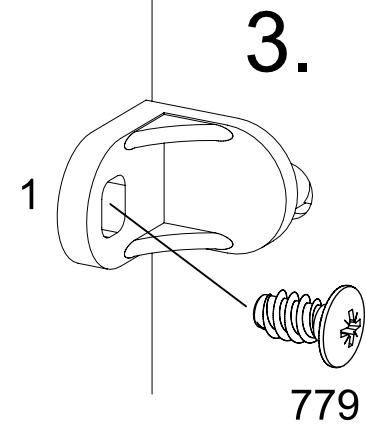
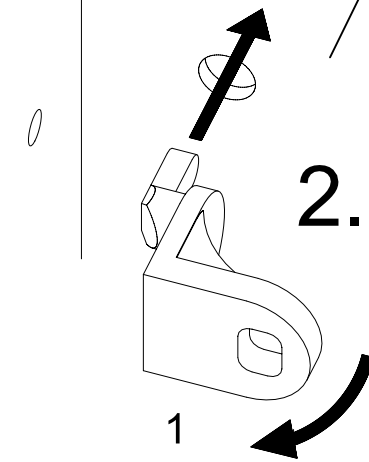
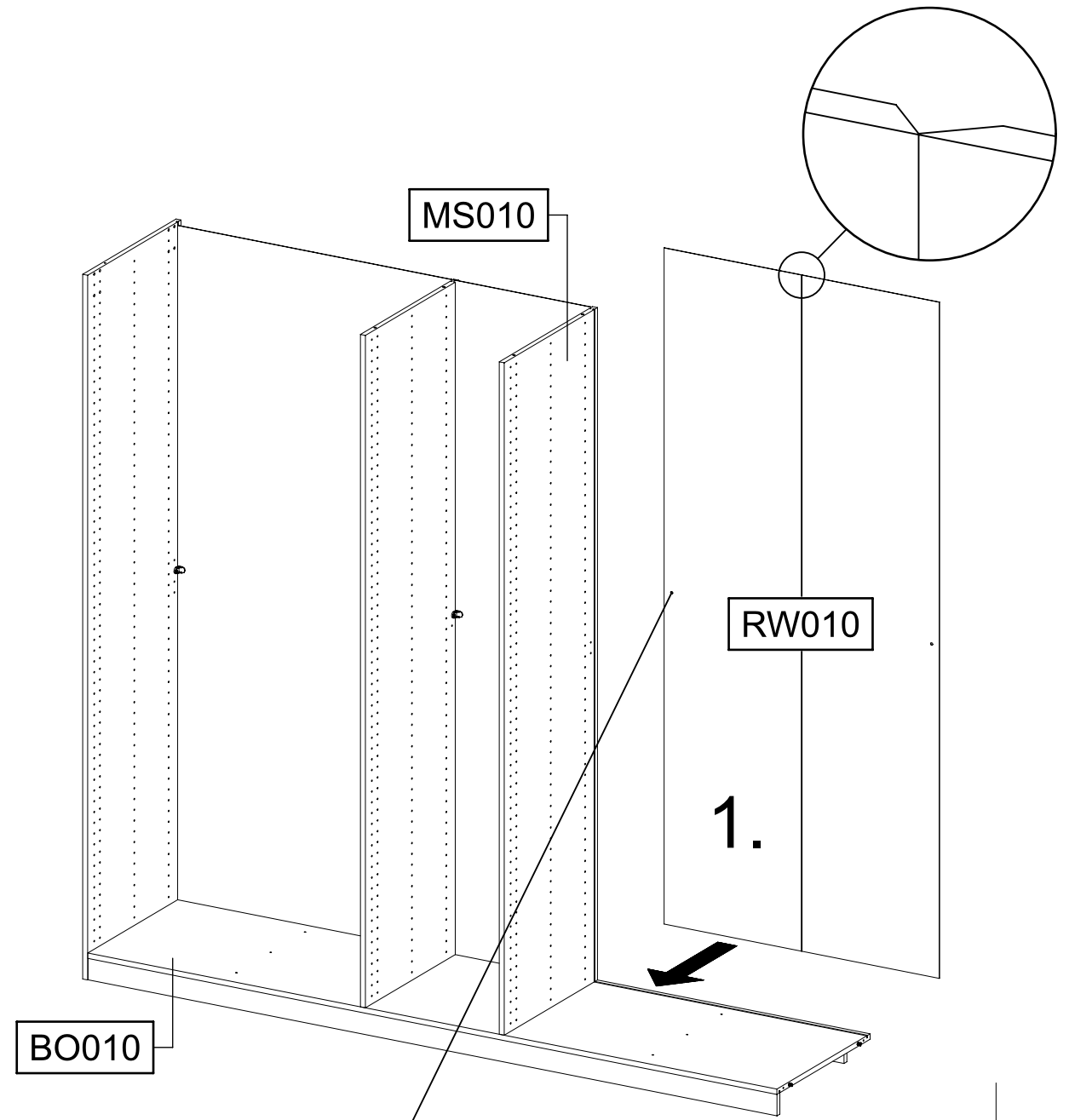
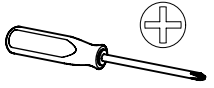
9

1x 1



1x 779

6,5x12

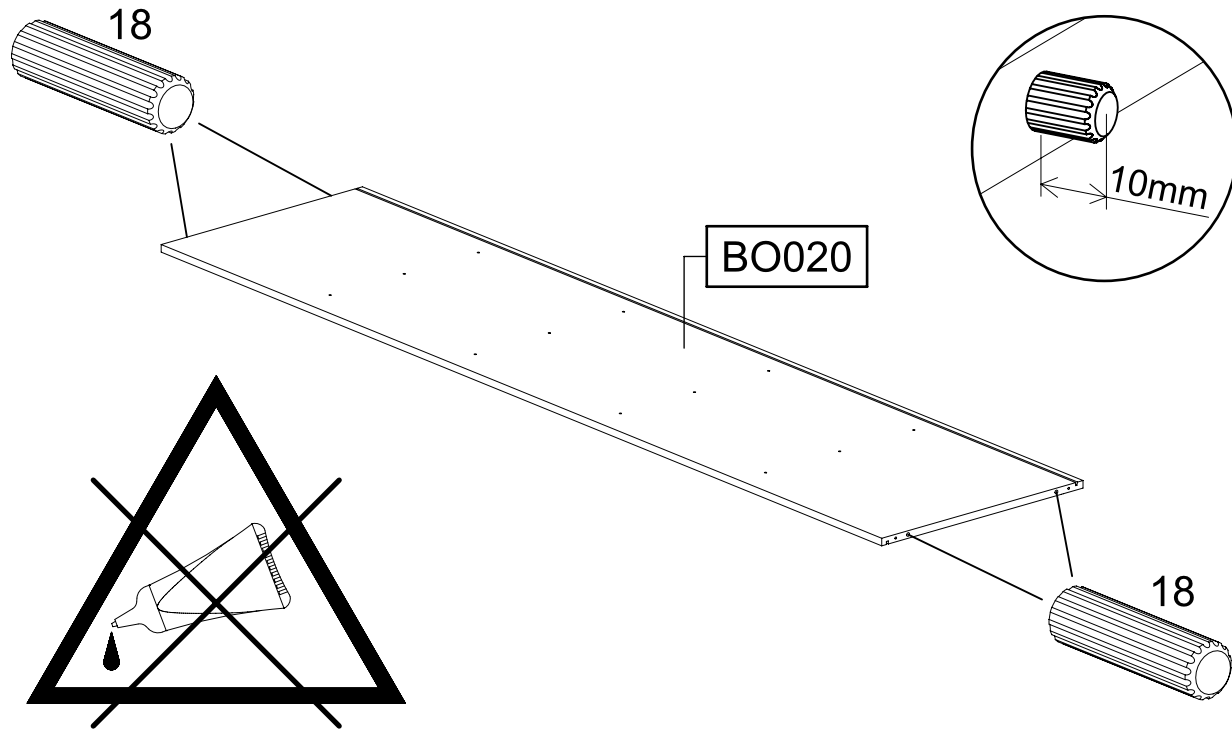
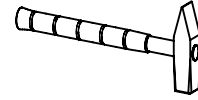


10

4x

18

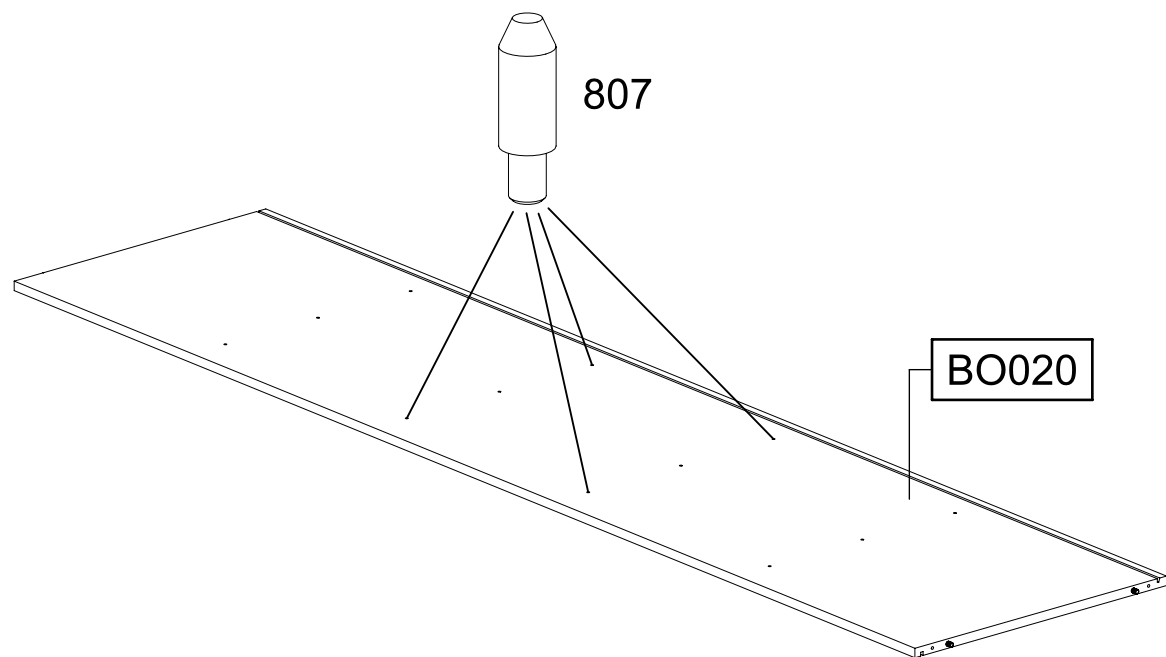
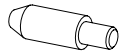
8x30



11

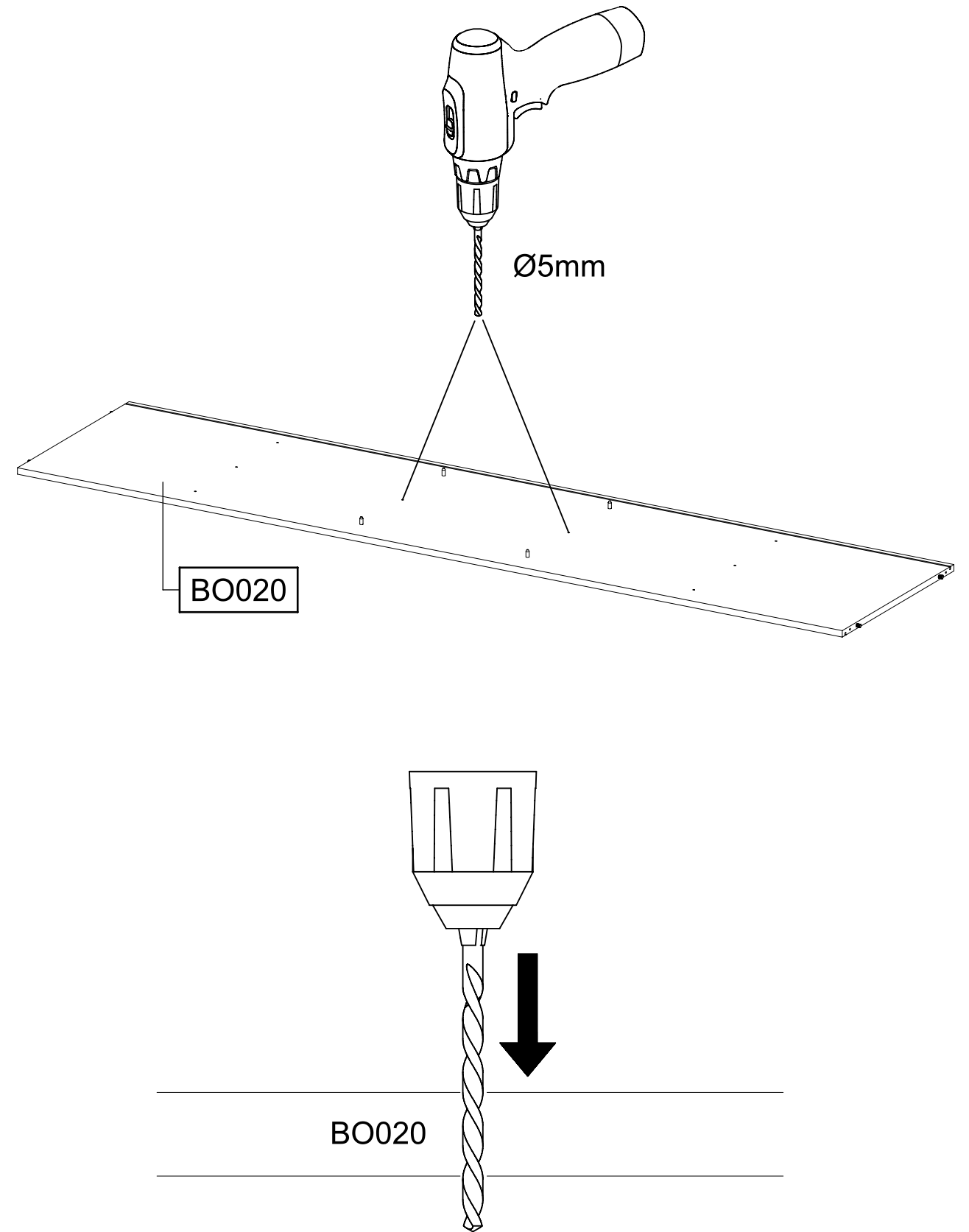
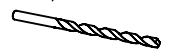
4x

807



12

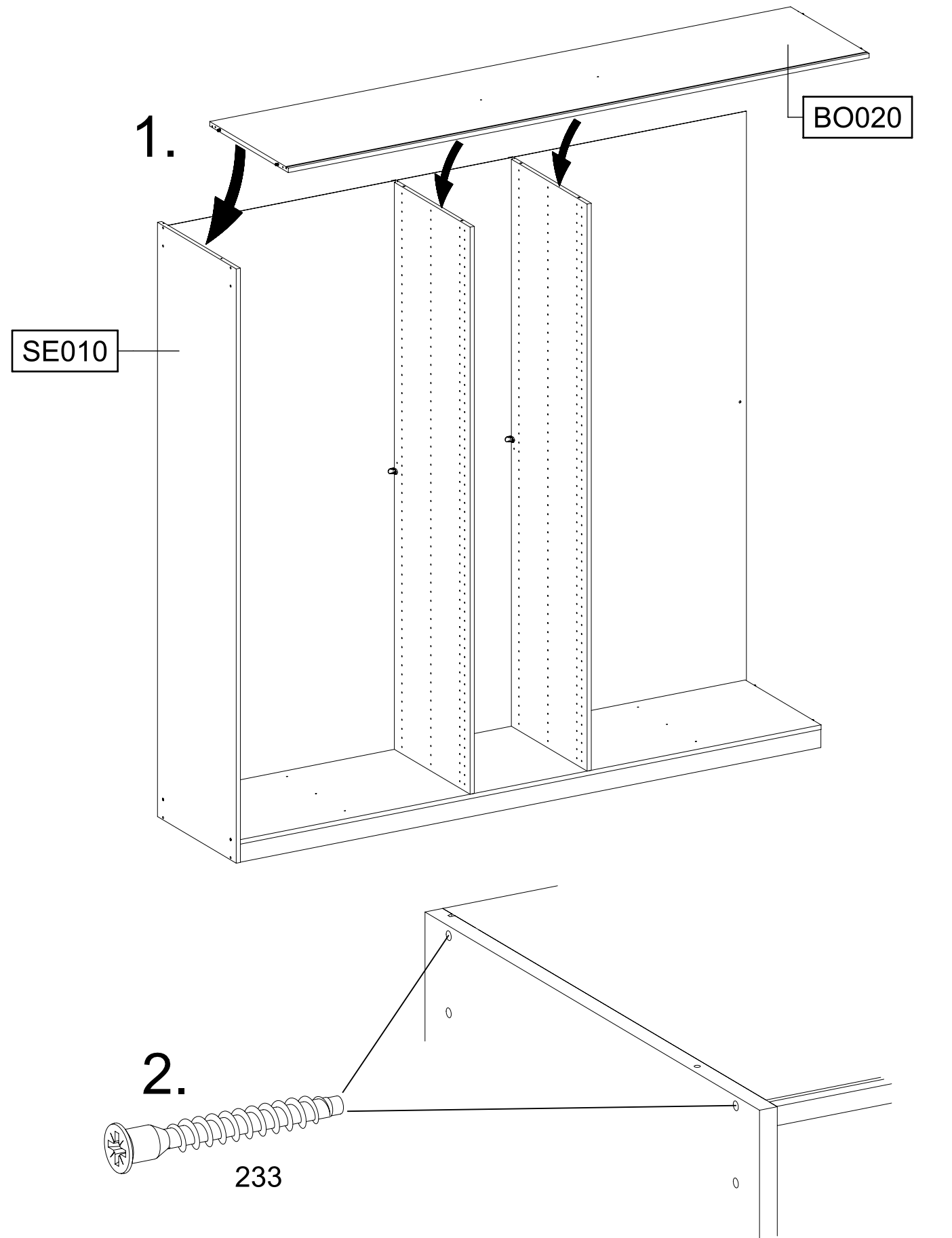
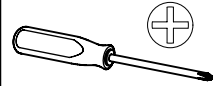
Ø5mm



13

2x 233

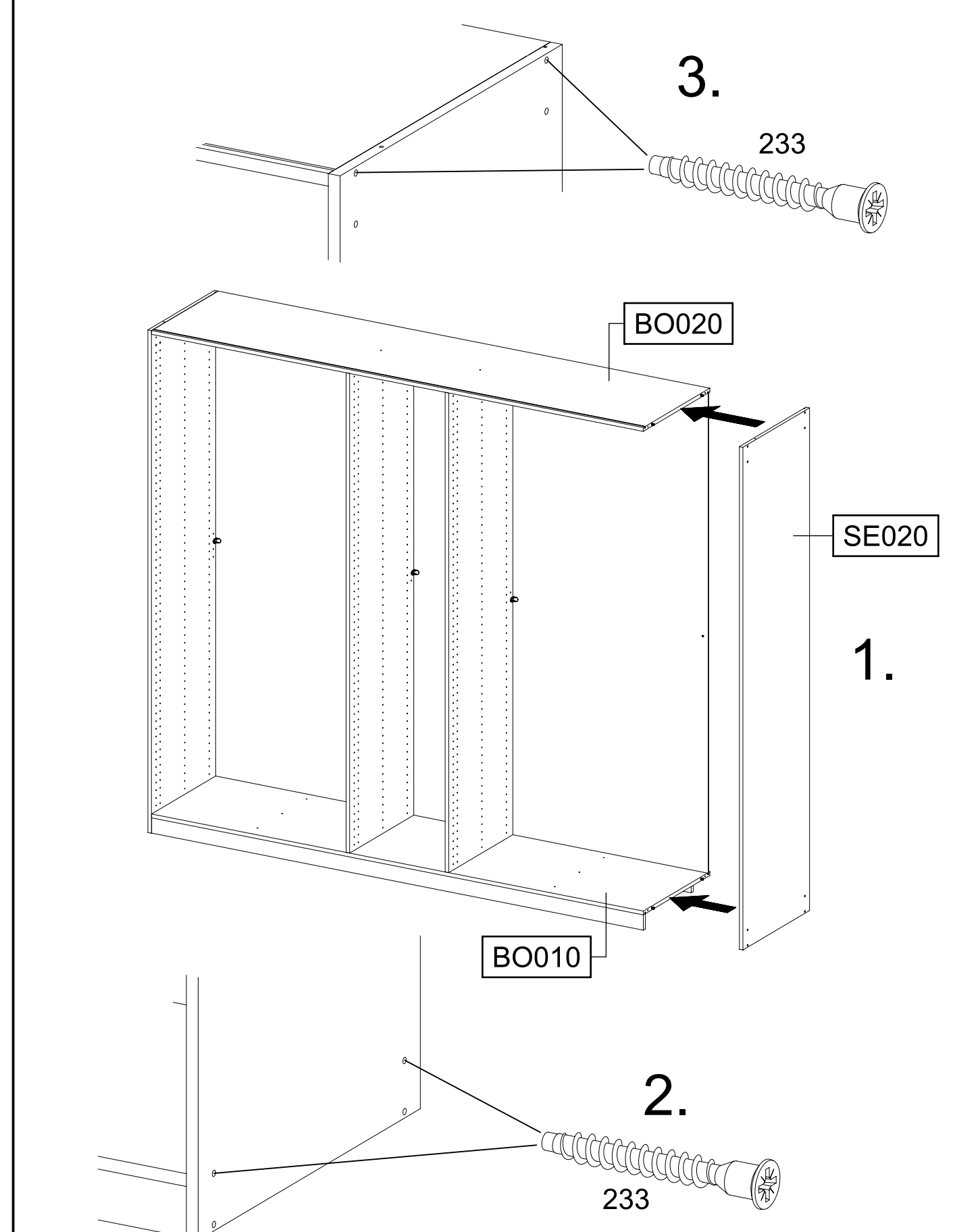
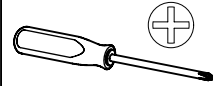
6,3x50



14

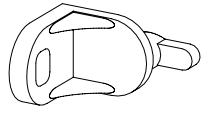
4x 233

6,3x50



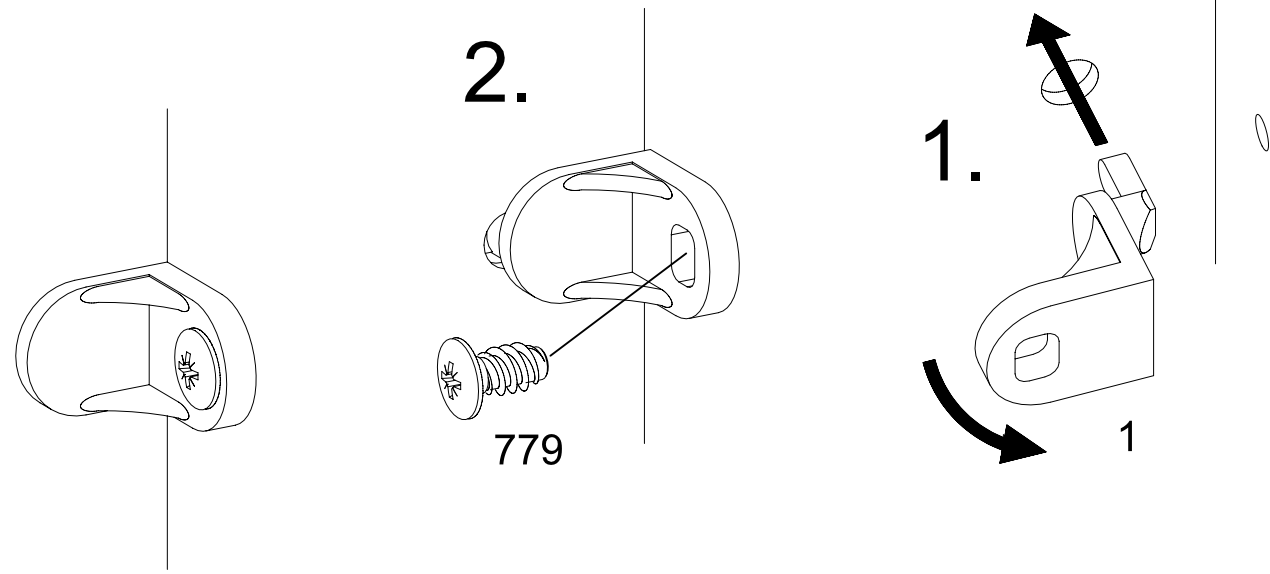
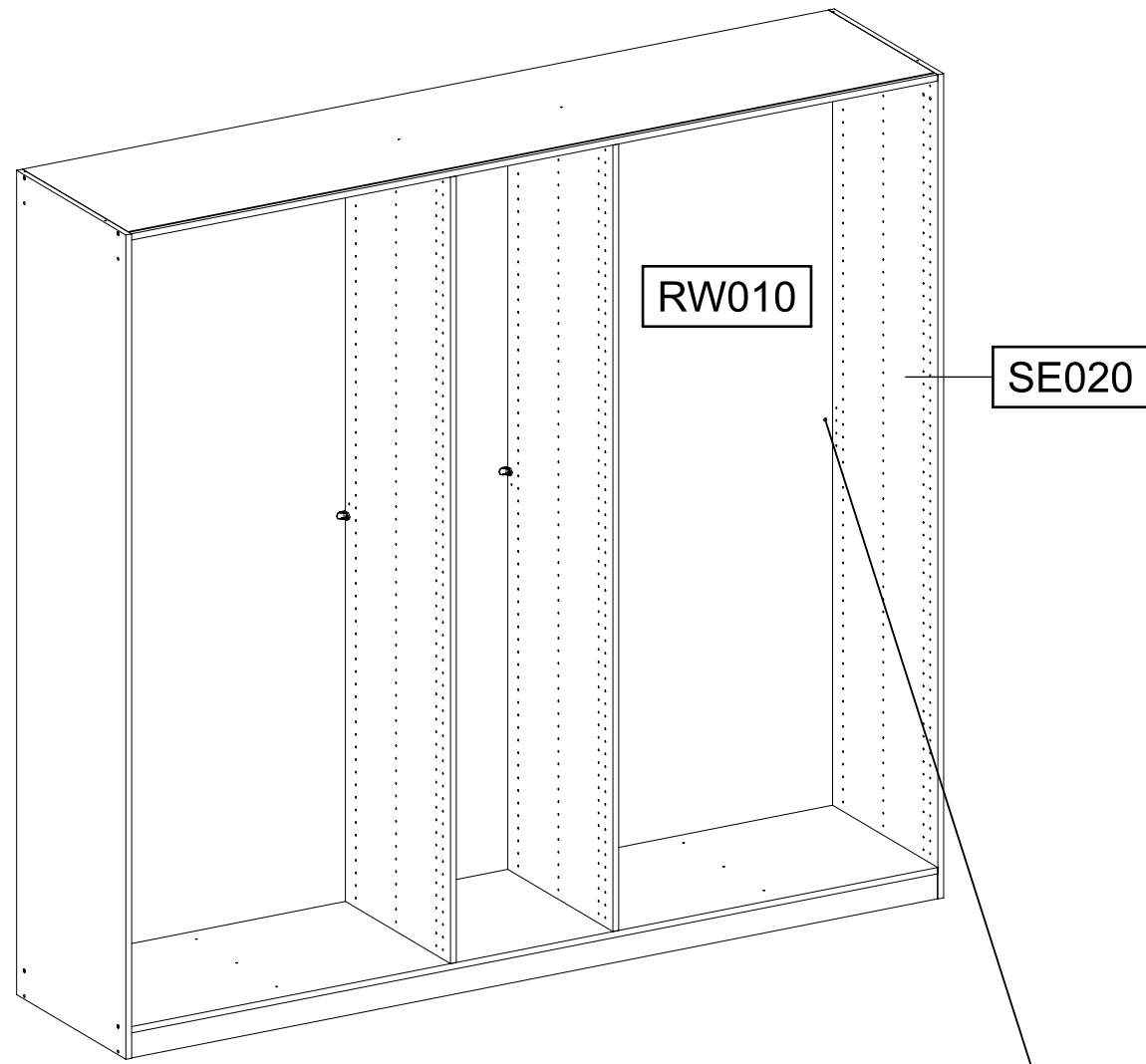
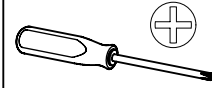
15

1x 1



1x 779

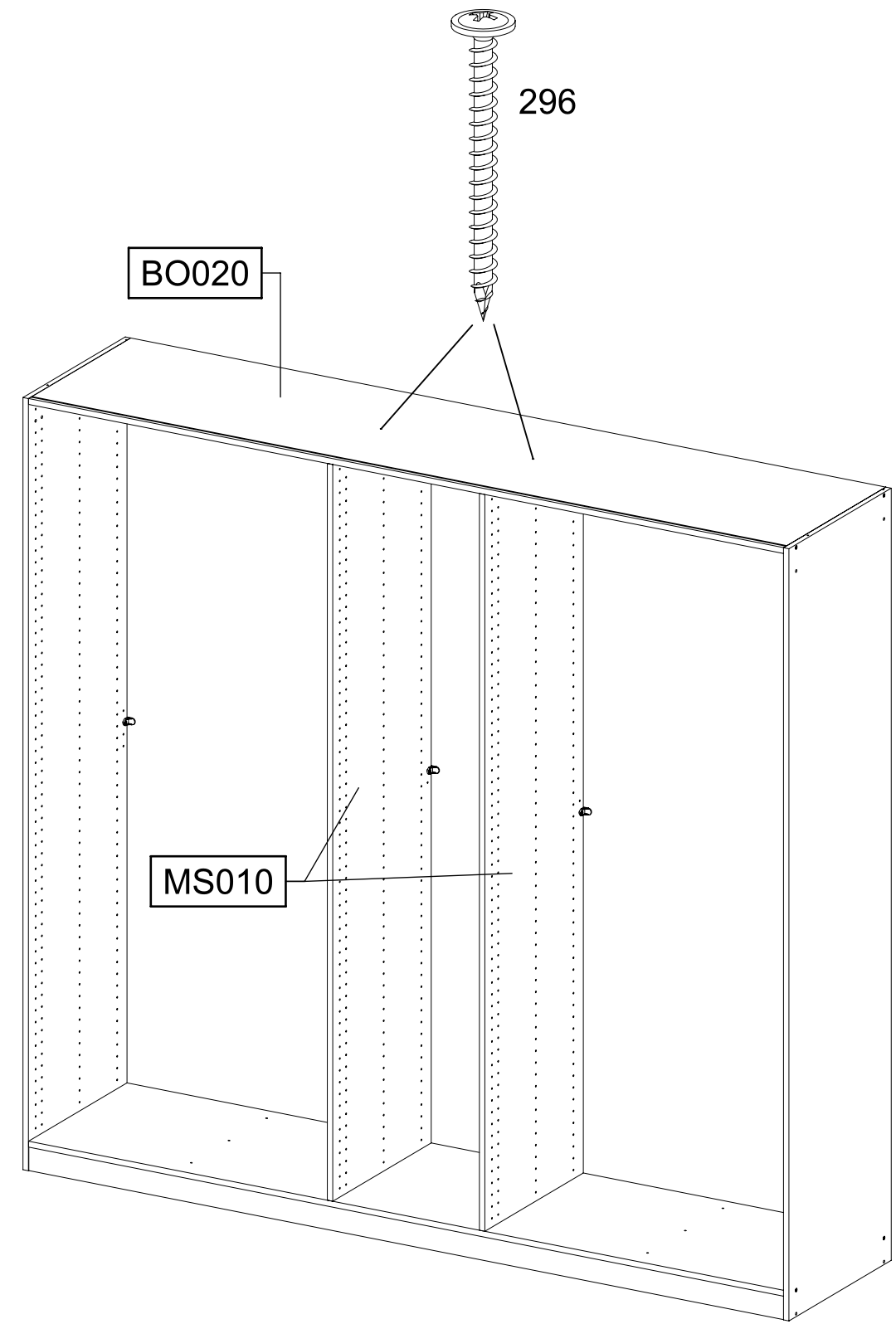
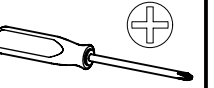
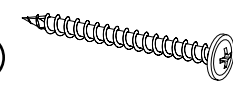
6,5x12



16

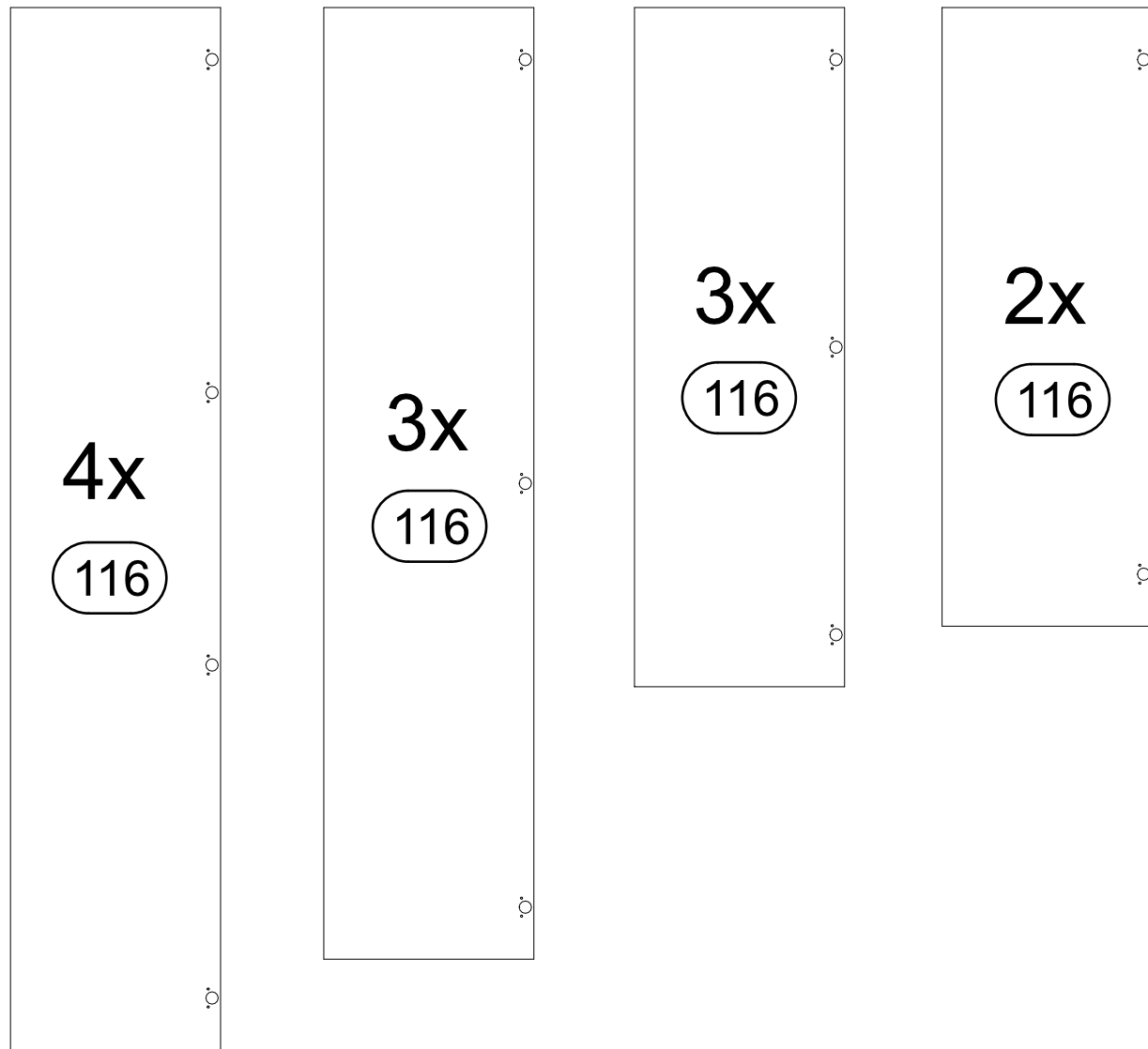
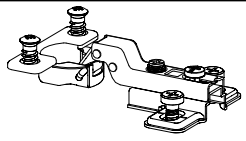
2x 296

4,5x50



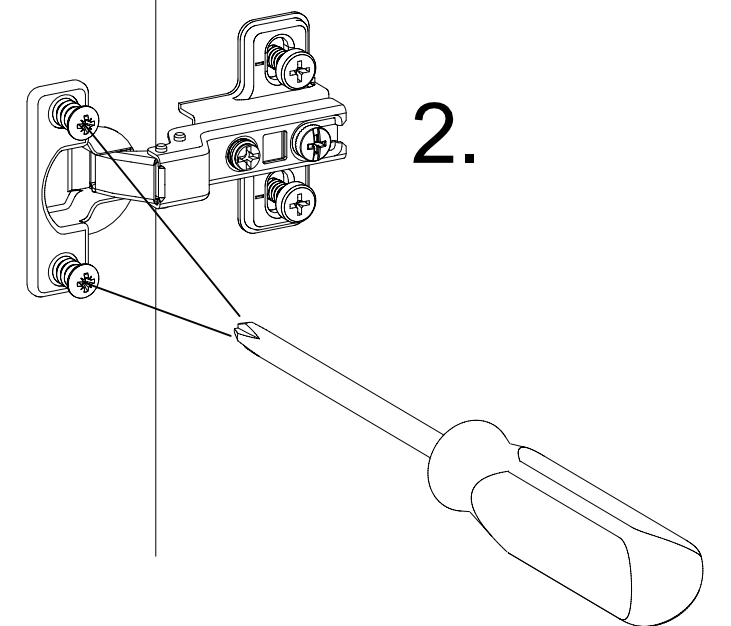
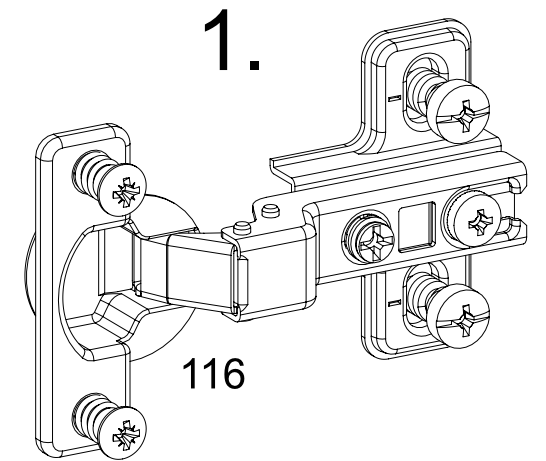
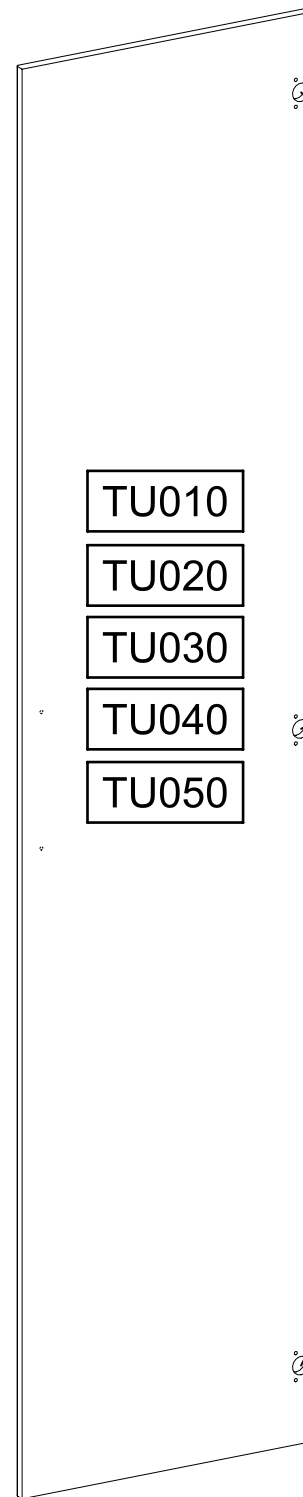
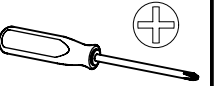
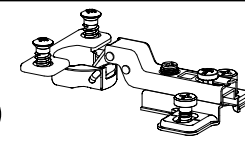
17

116

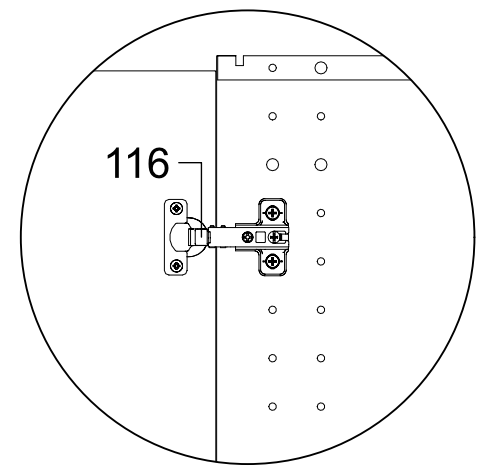
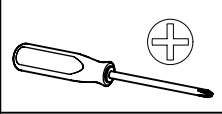


18

15x 116



19



1.

TU010

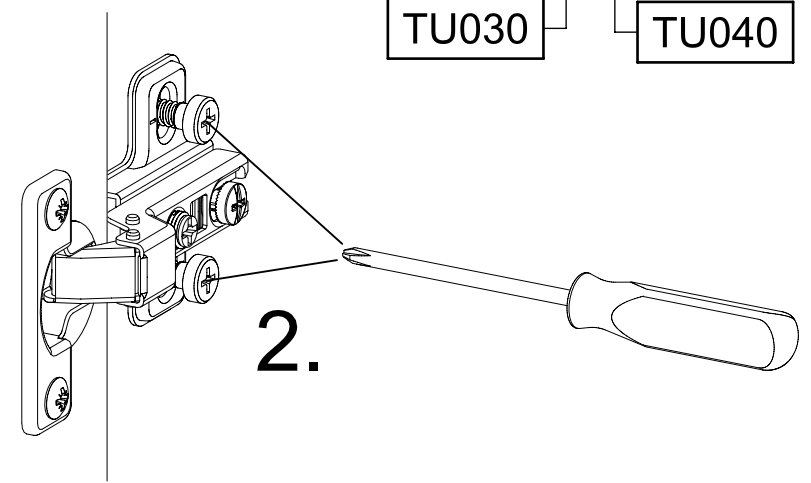
TU020

TU030

TU040

TU050

TU010
TU020
TU030
TU040
TU050

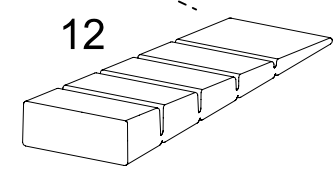
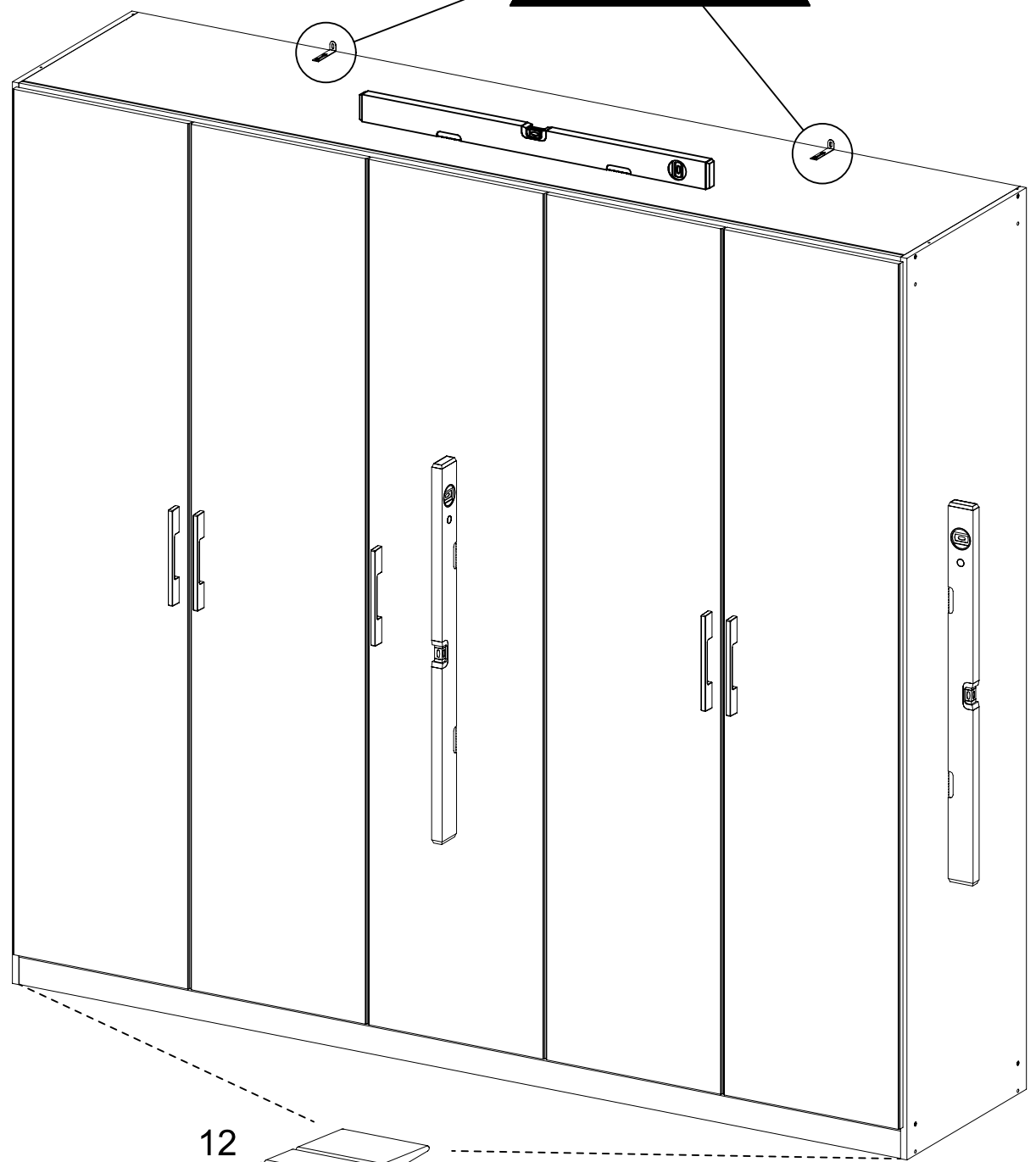
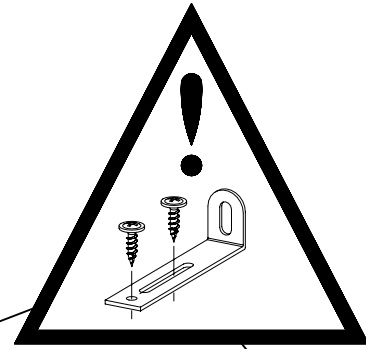
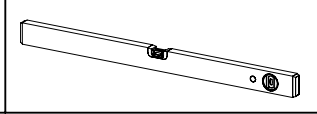
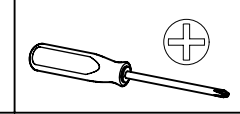
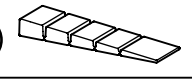


20

2x

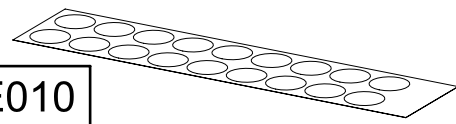
12

55x16x6,2

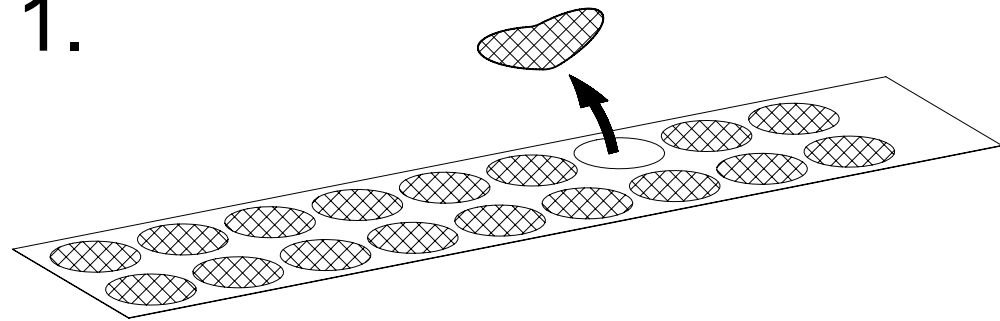


21

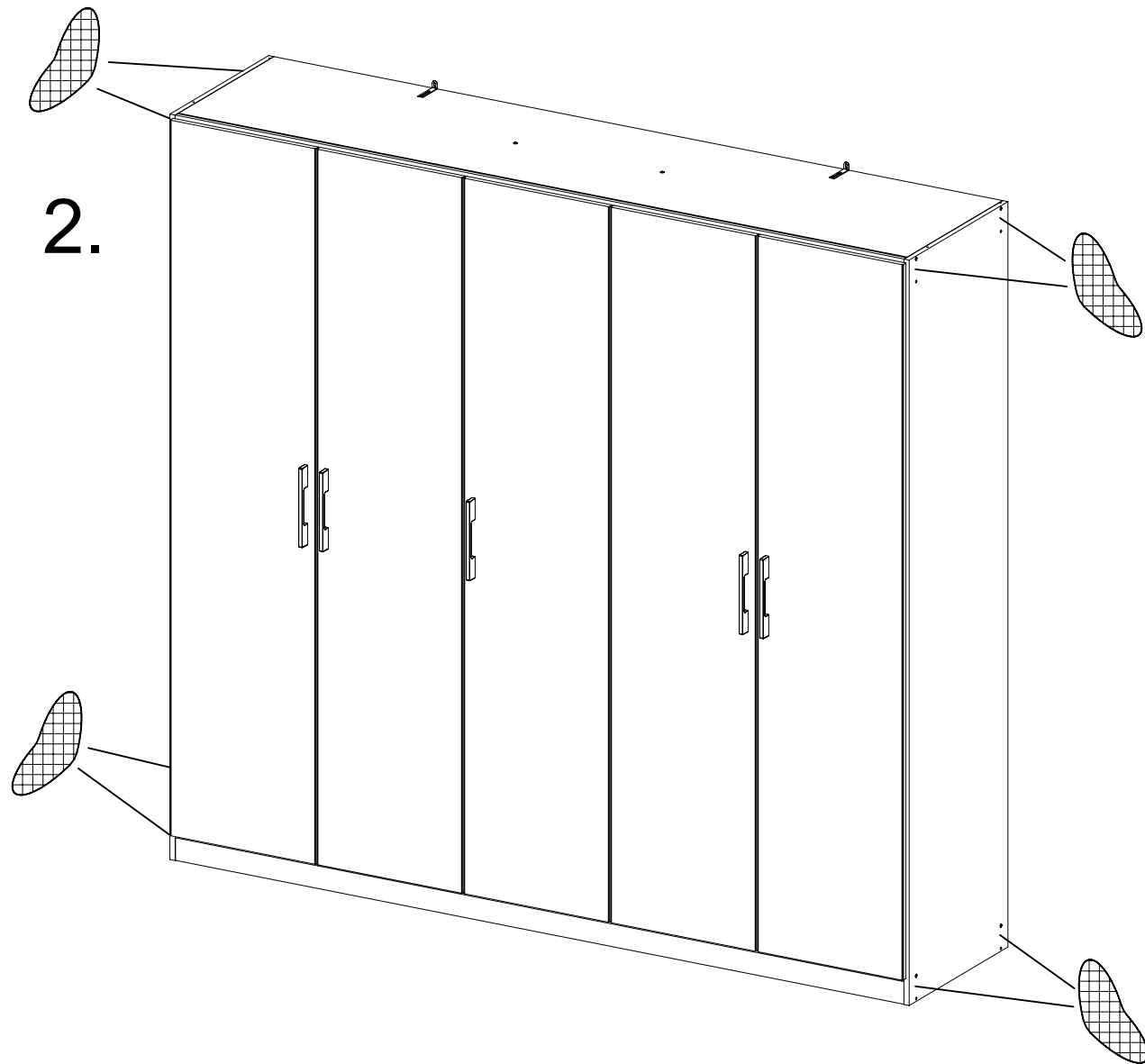
1x RE010



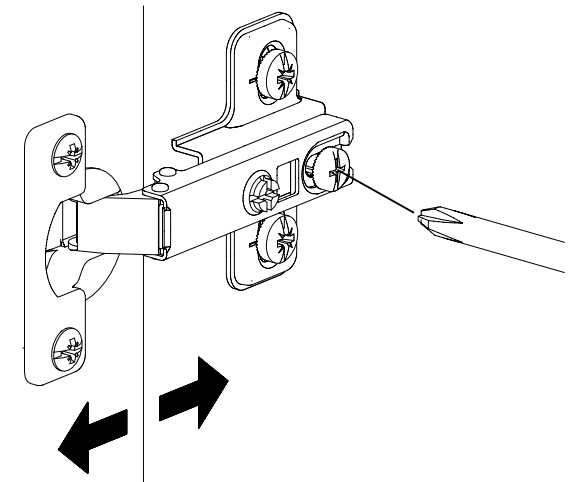
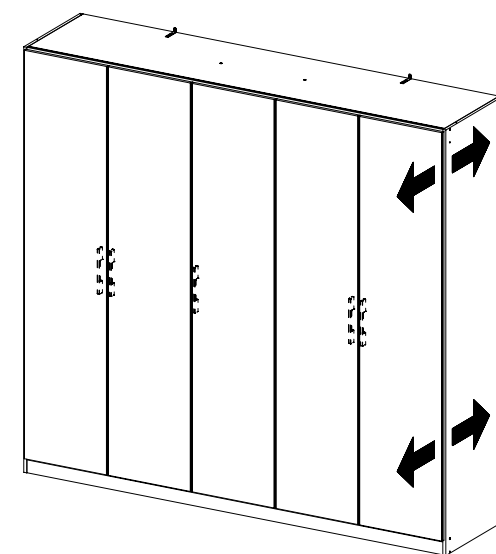
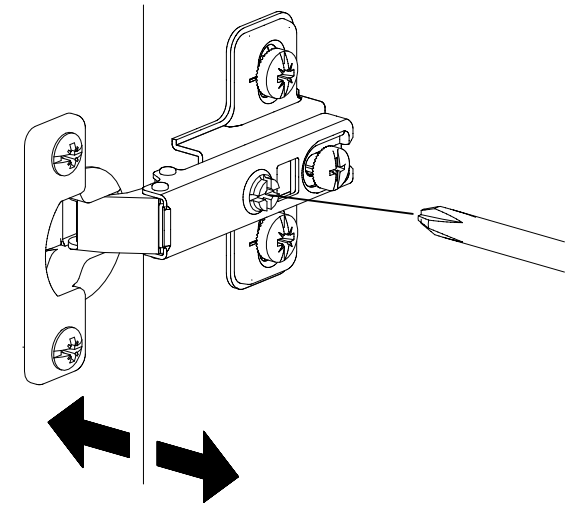
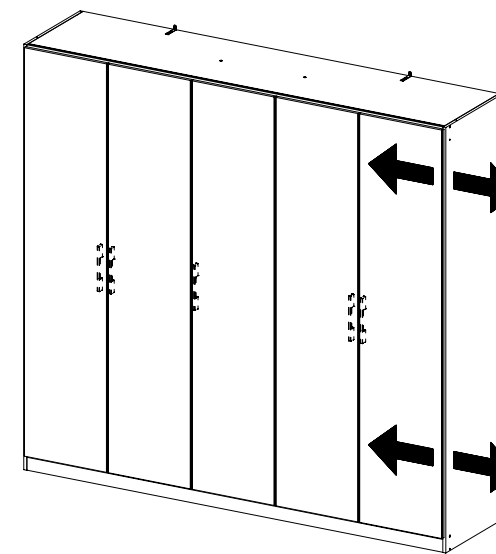
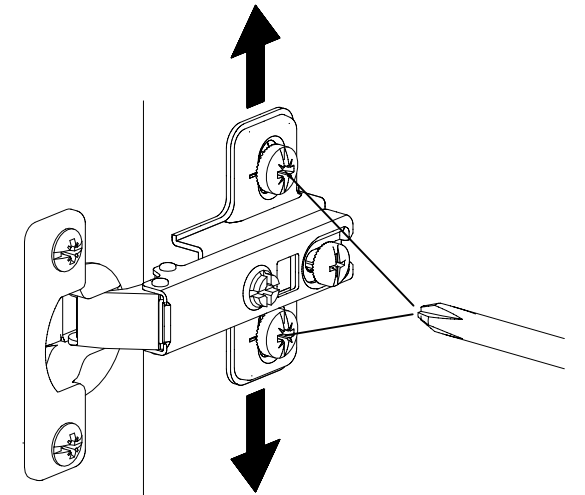
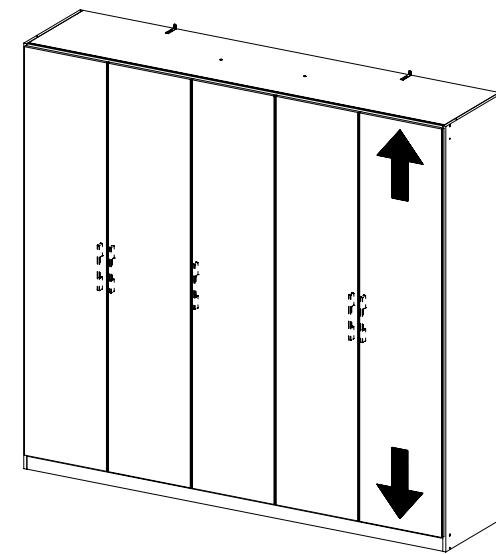
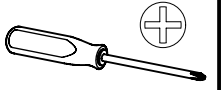
1.

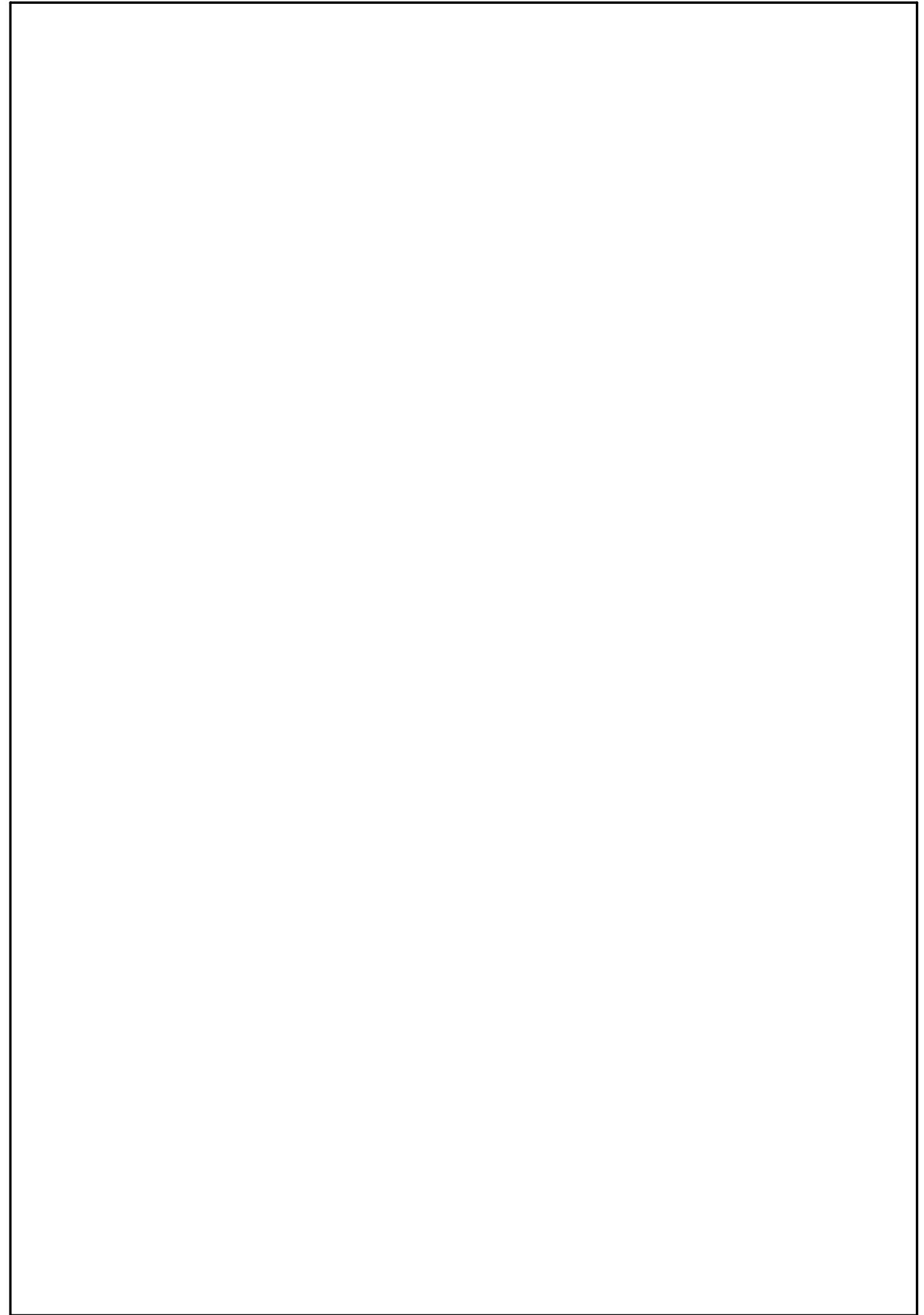
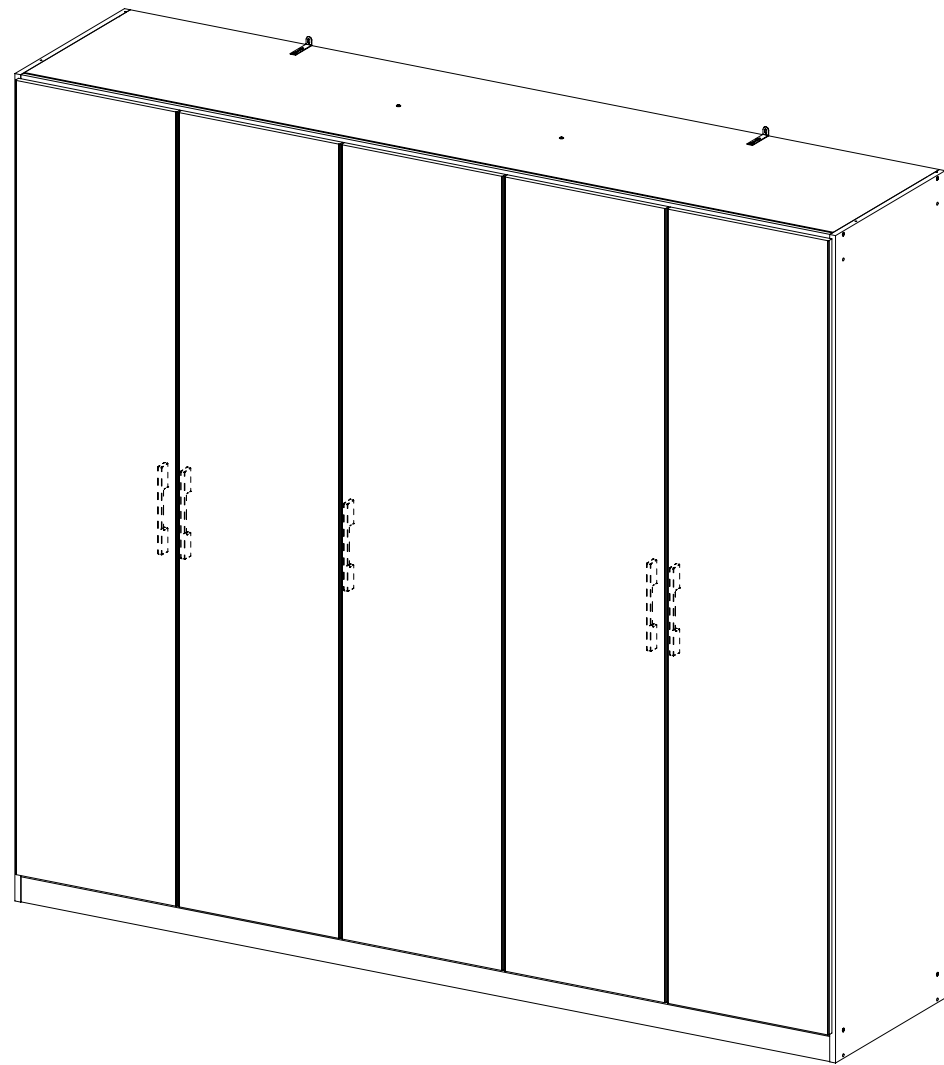


2.

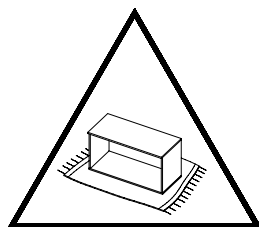
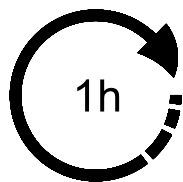
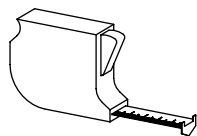
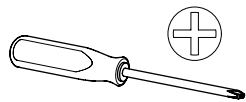


22

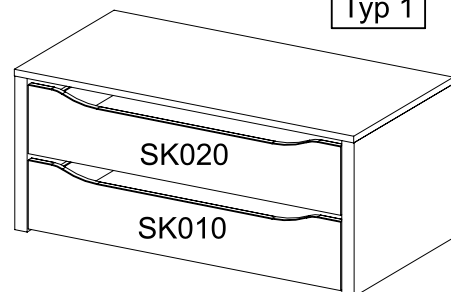




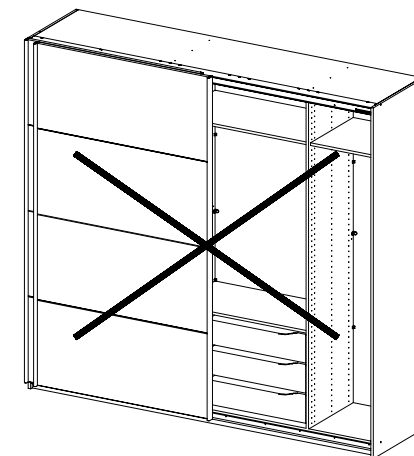
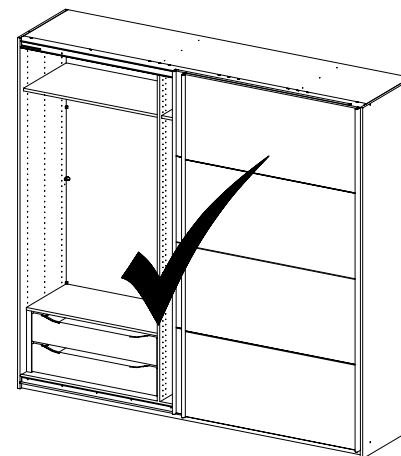
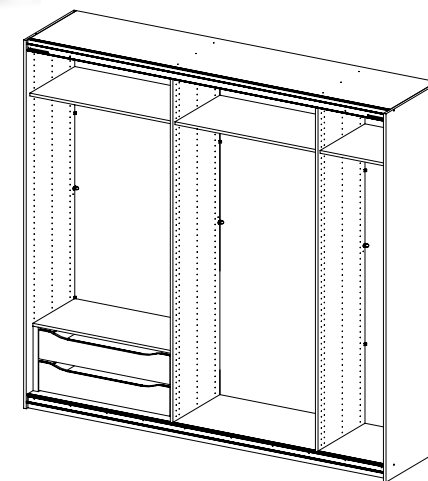
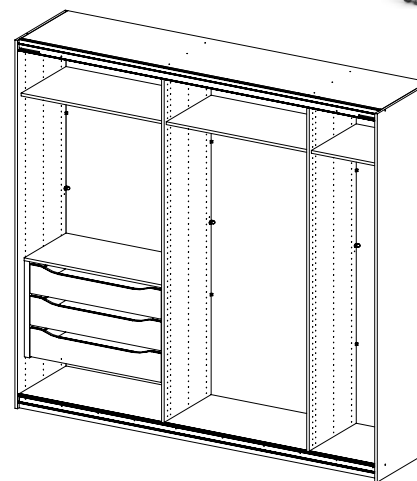
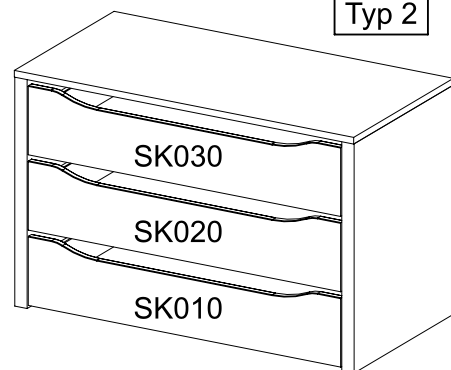
M2657_02

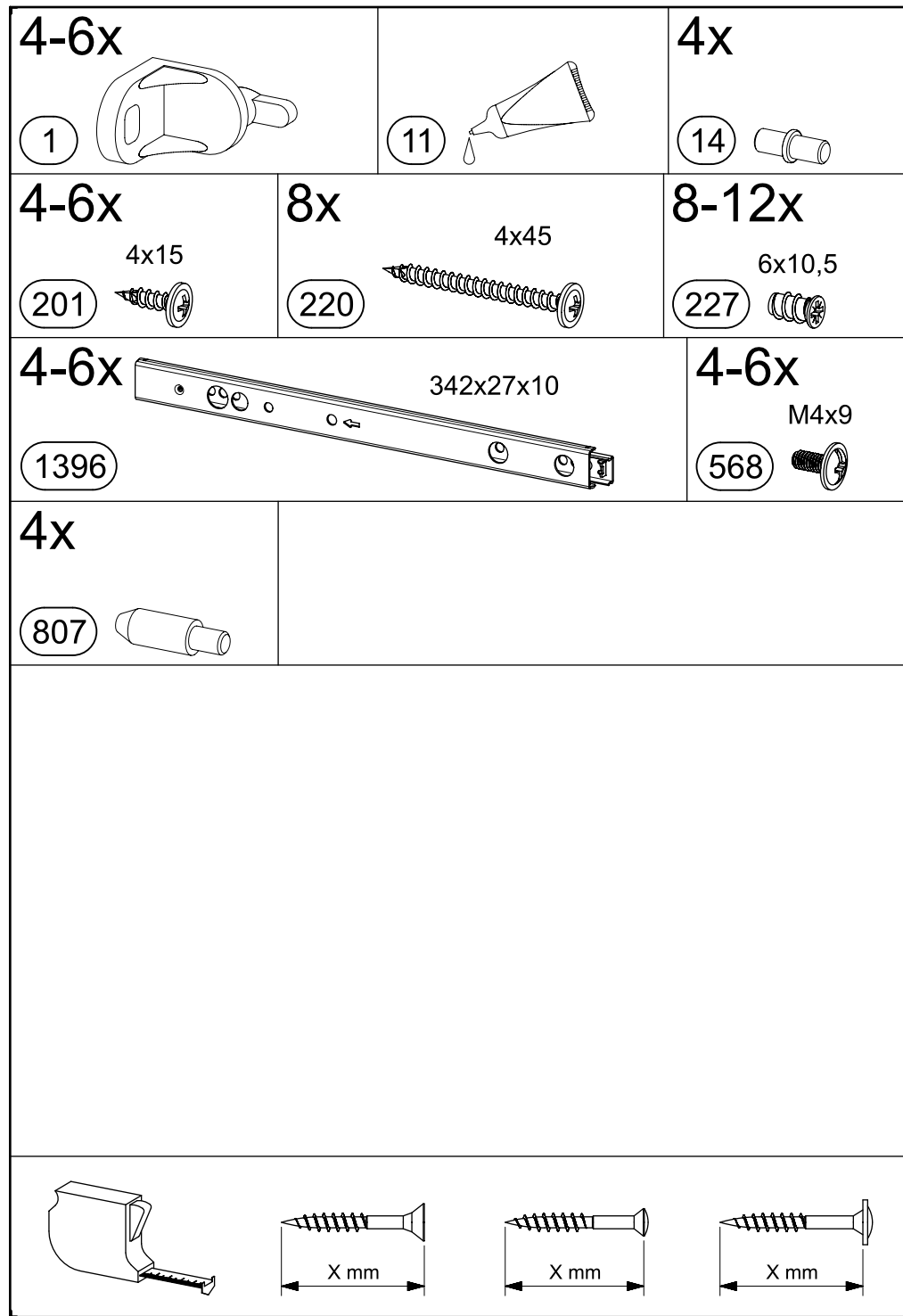
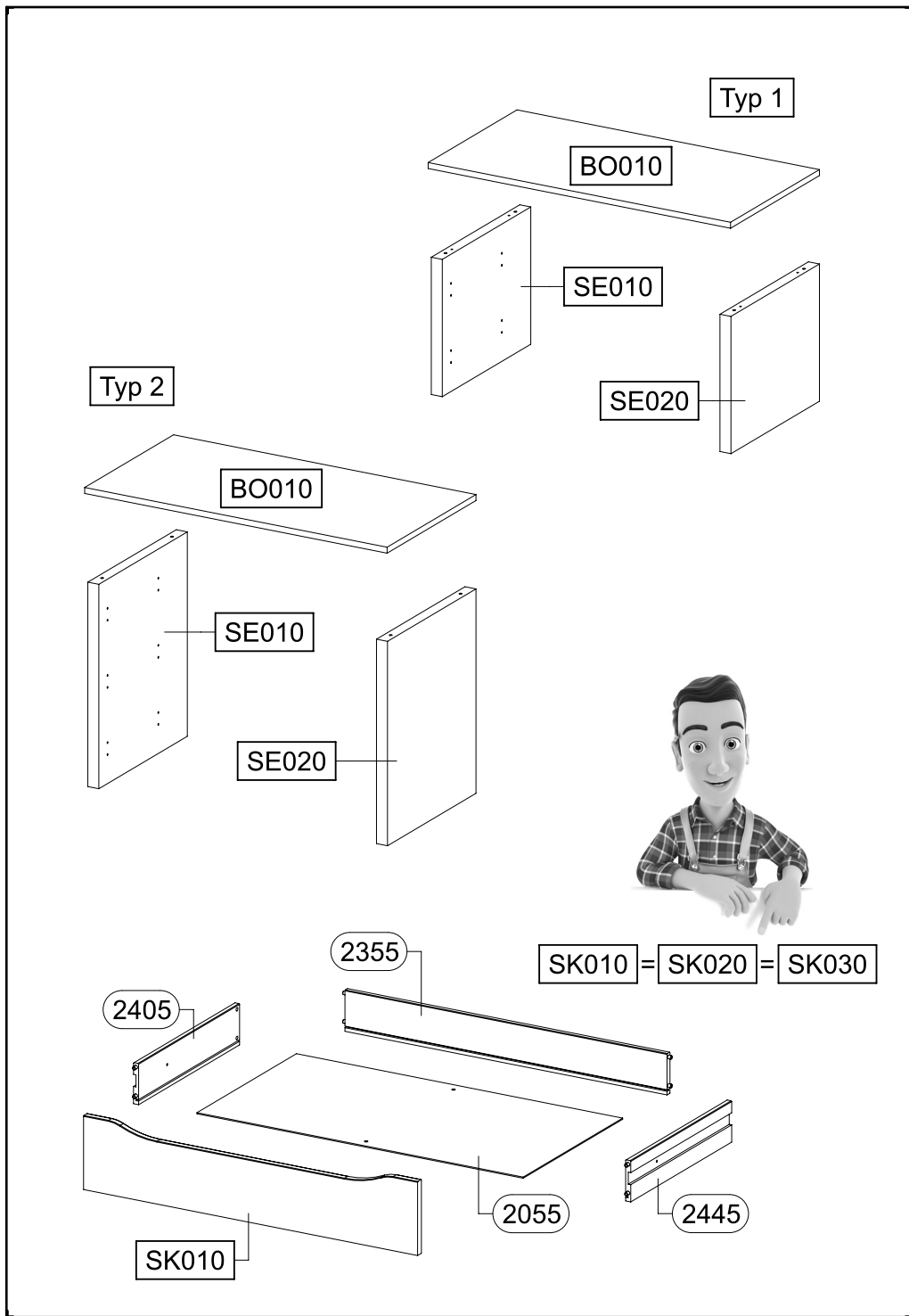


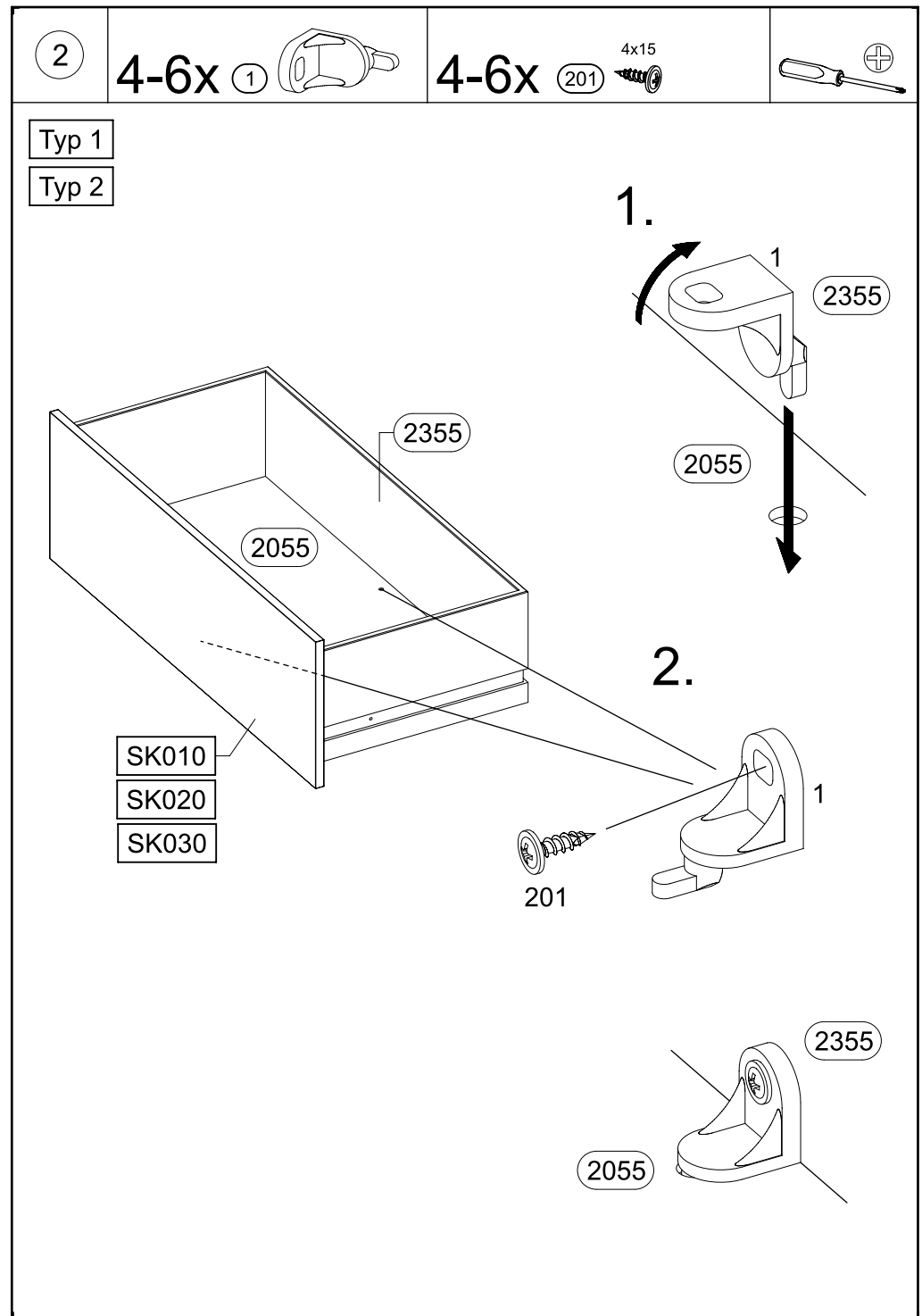
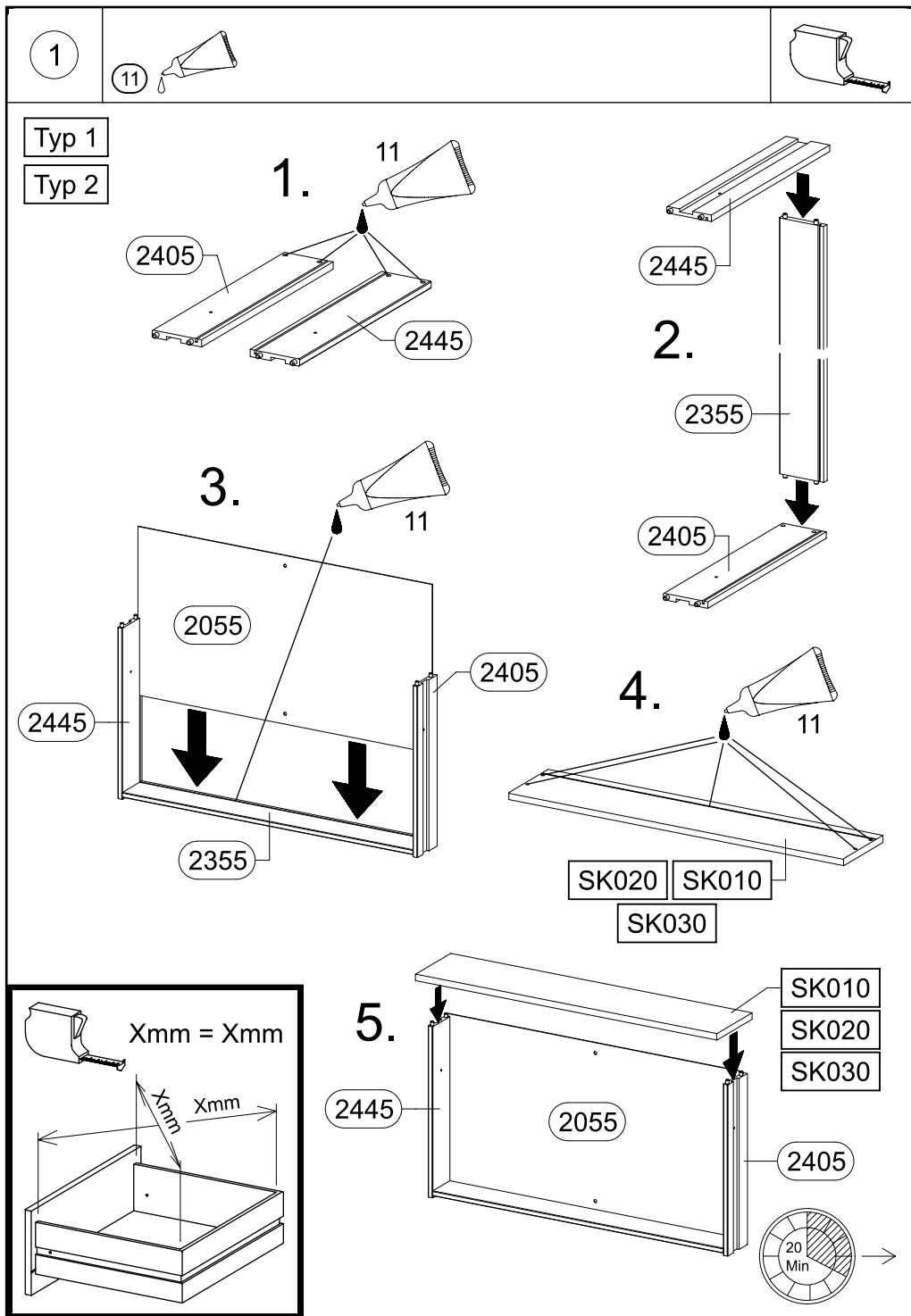
Typ 1



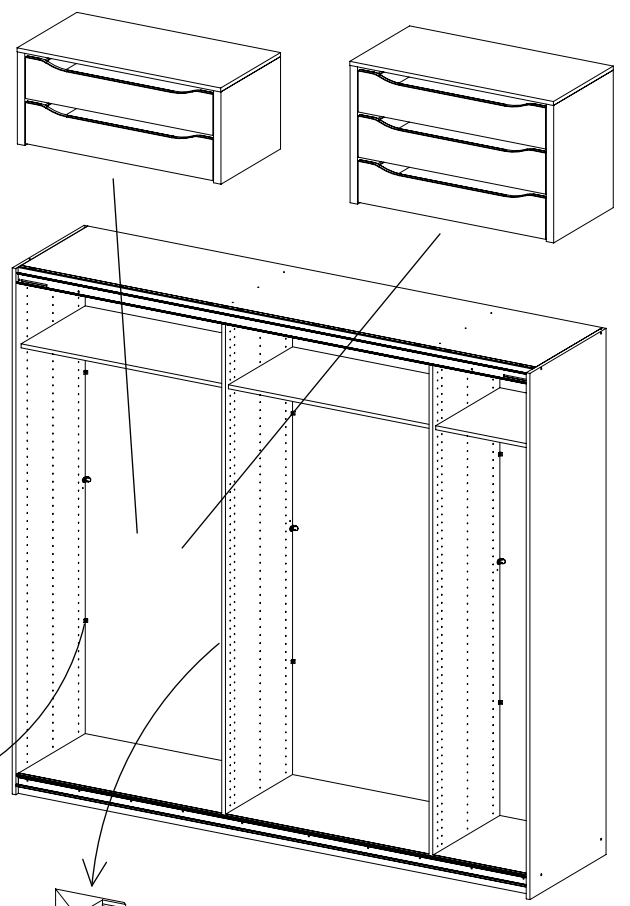
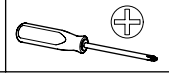
Typ 2



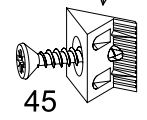




3



45

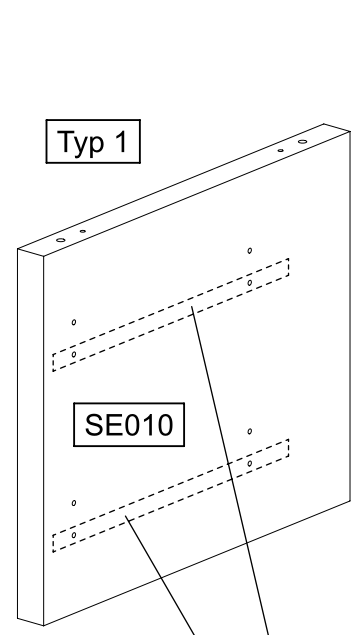
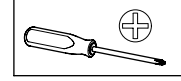
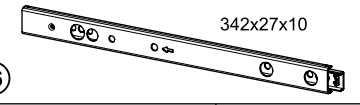


45

4

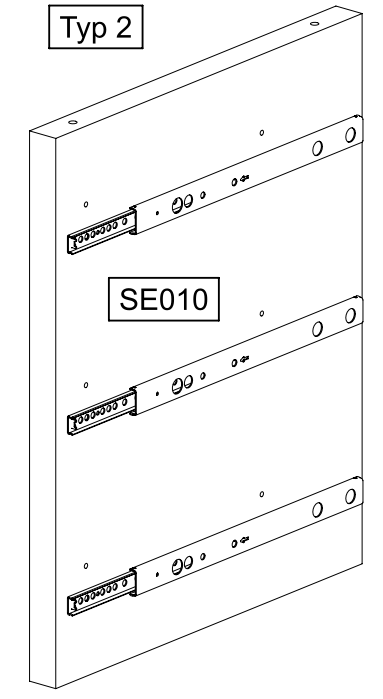
4-6x 6x10,5 227

2-3x 1396



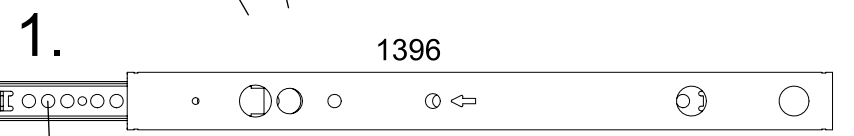
Typ 1

SE010



Typ 2

SE010

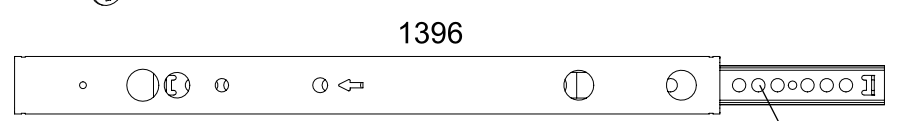


1.

1396



227



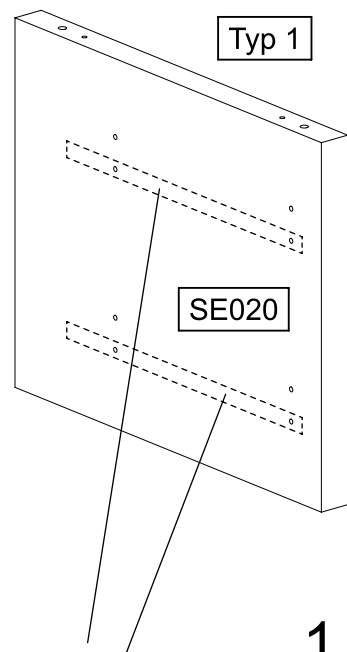
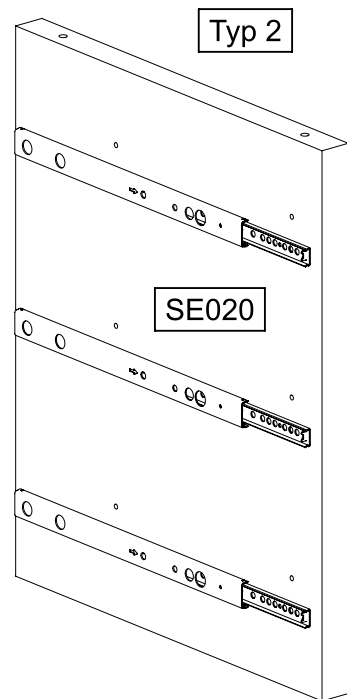
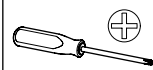
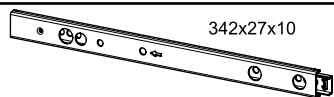
1396

2. 227

5

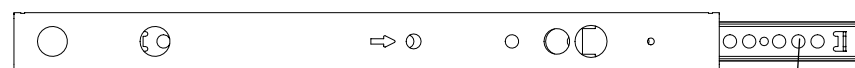
4-6x 6x10,5 227

2-3x 1396



1.

1396



227

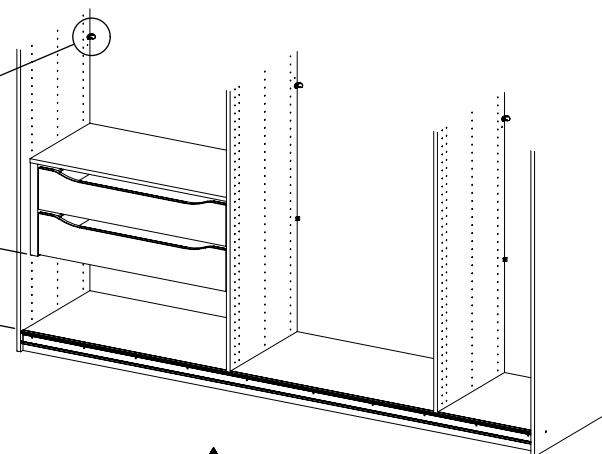
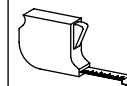
1396



227 2.

6

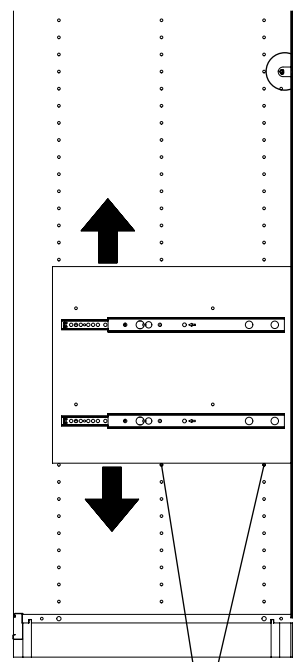
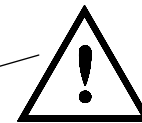
4x 14



Typ 1

Typ 2

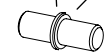
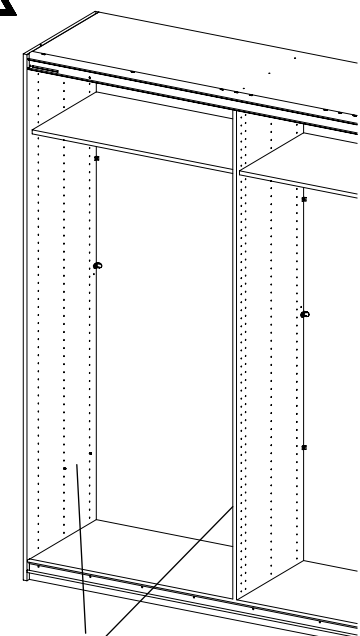
Xmm



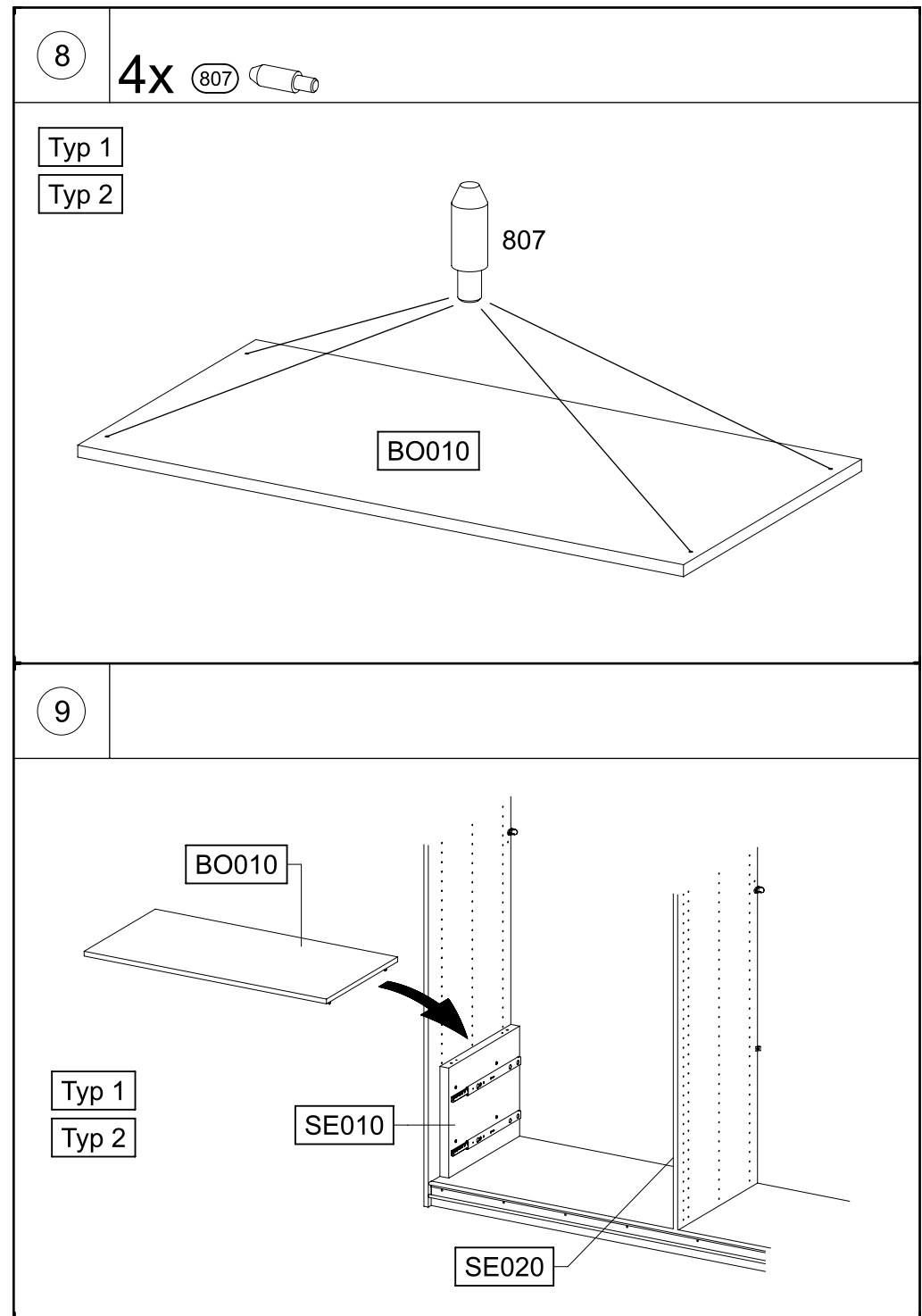
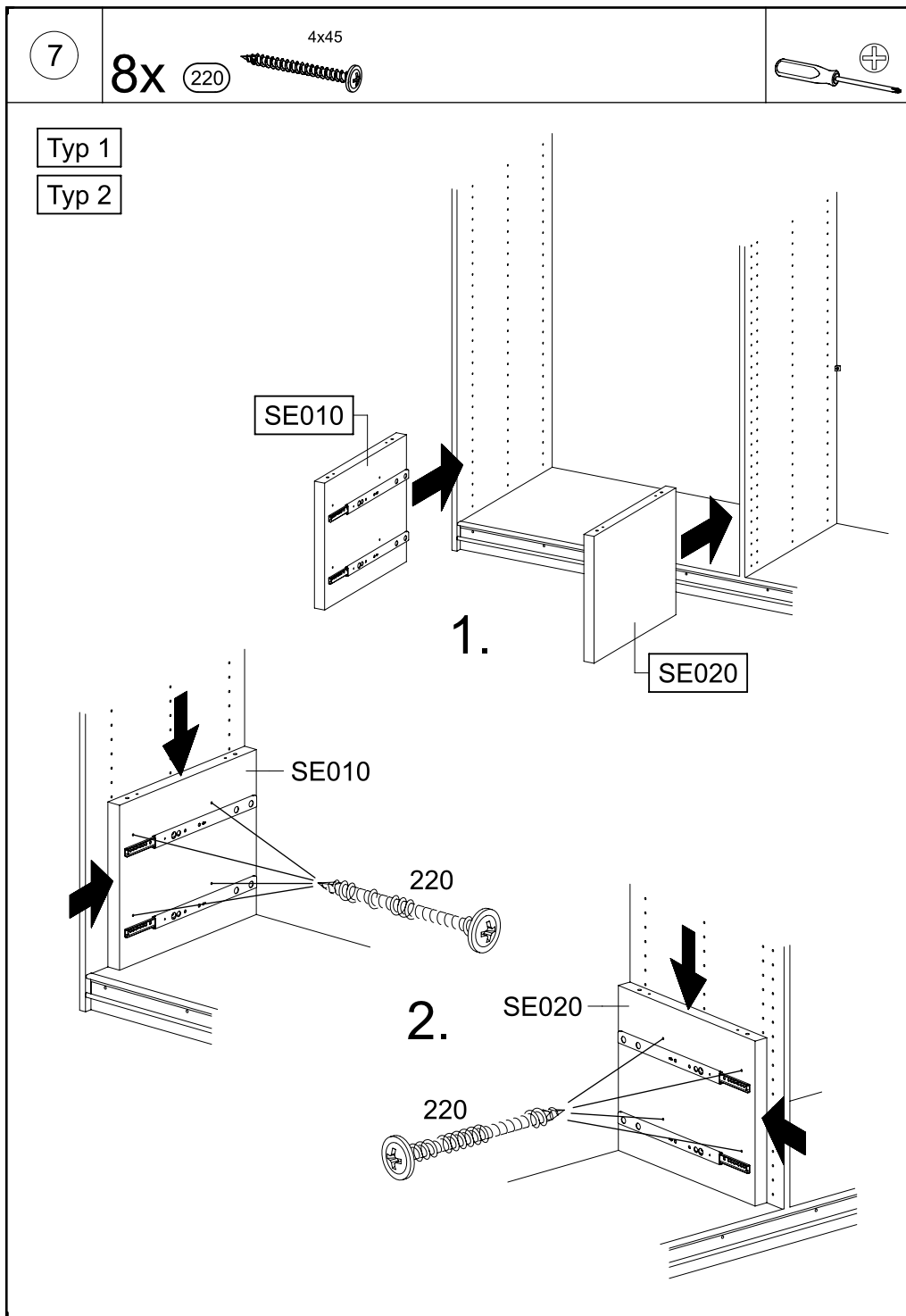
Xmm



14

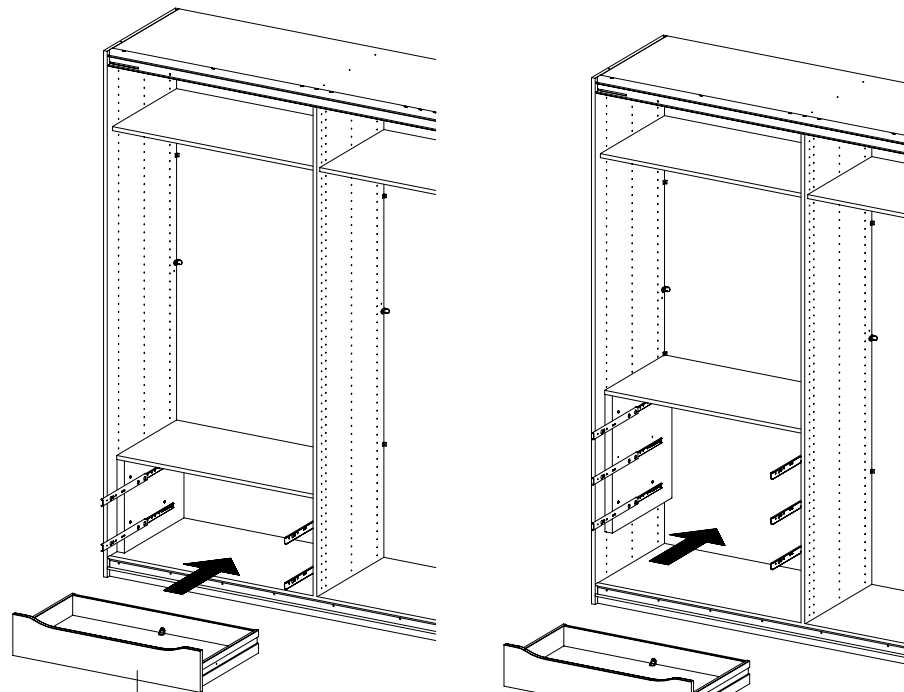
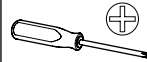


14



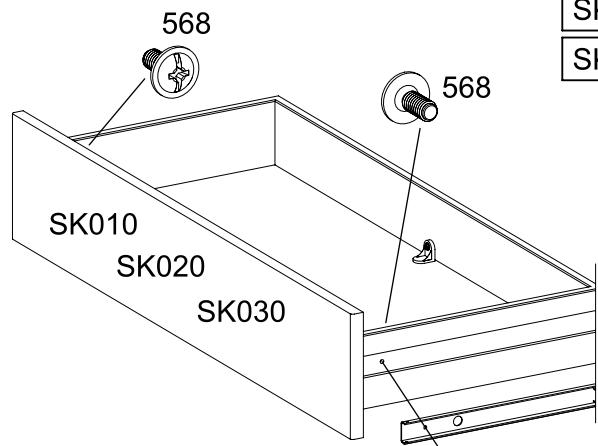
10

4-6x M4x9 568



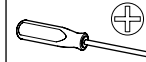
SK010
SK020

SK010
SK020
SK030

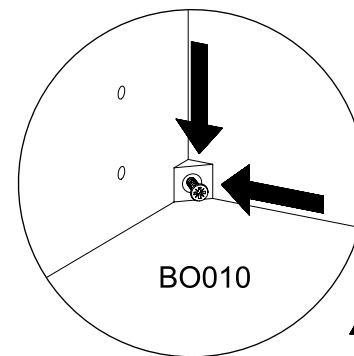
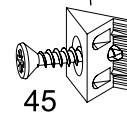
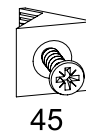
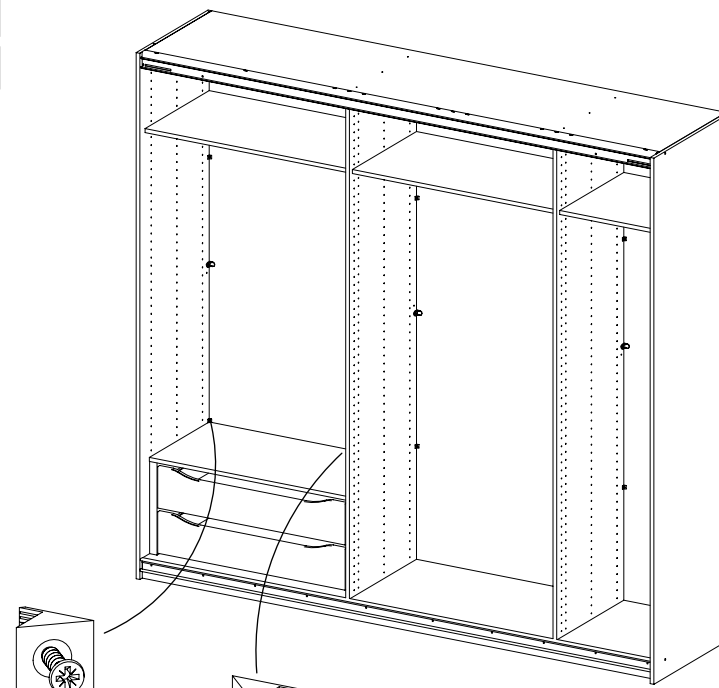


11

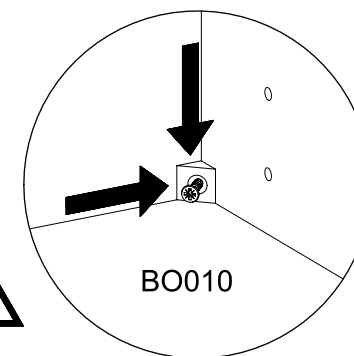
2x 45



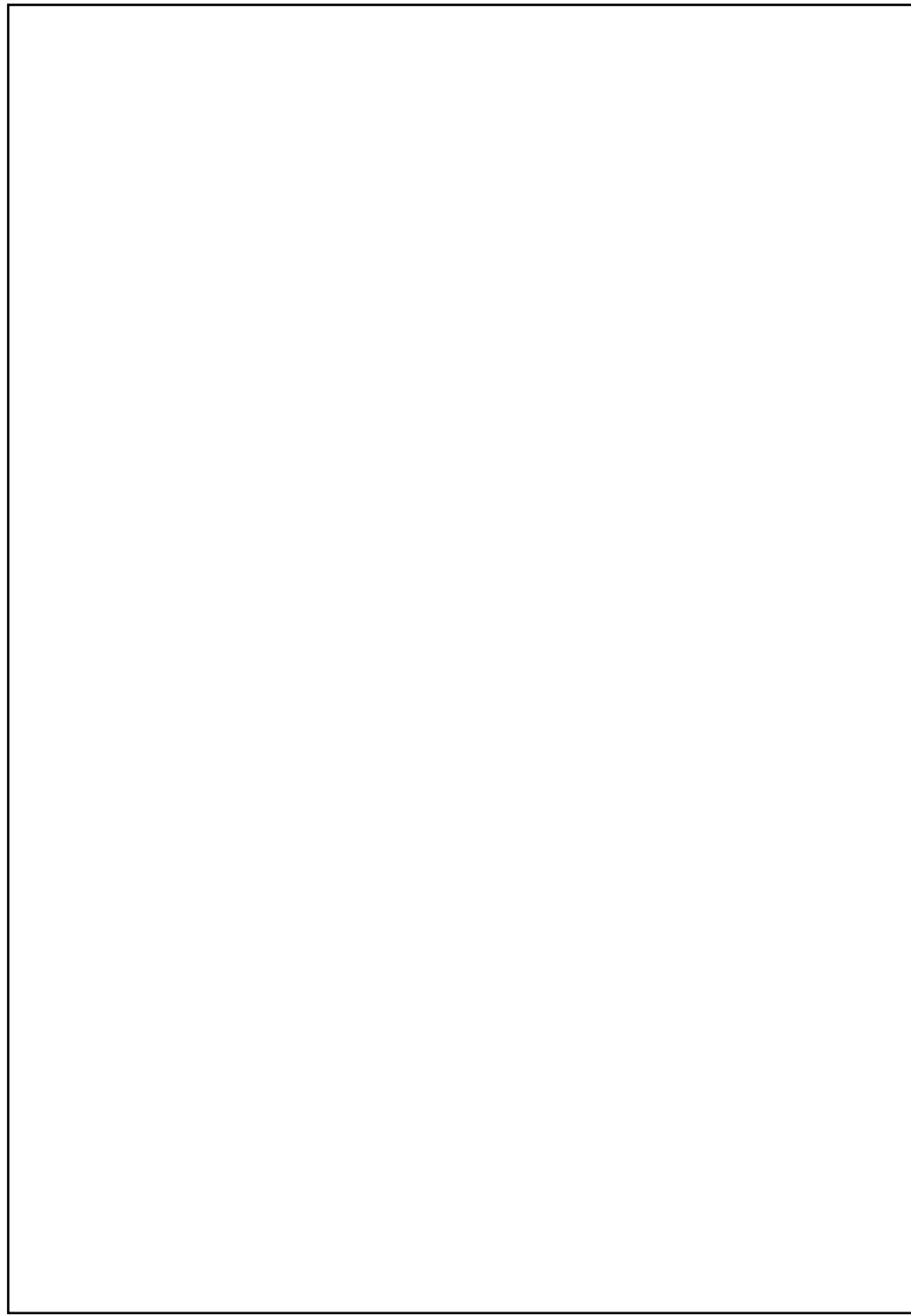
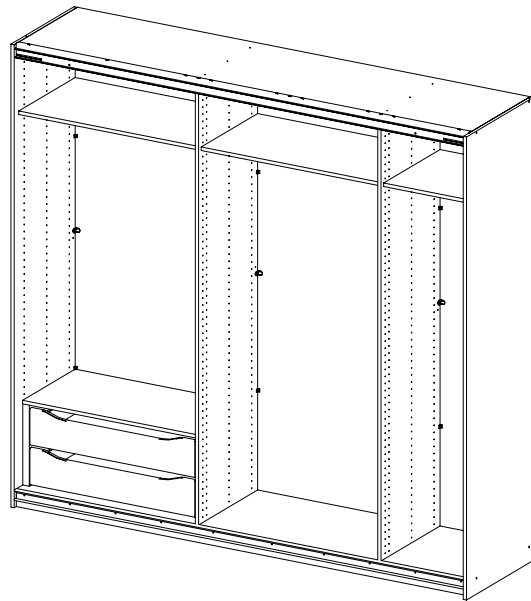
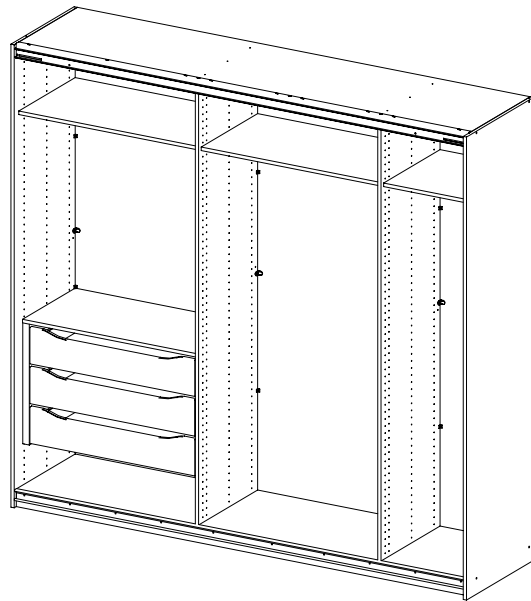
Typ 1
Typ 2



BO010

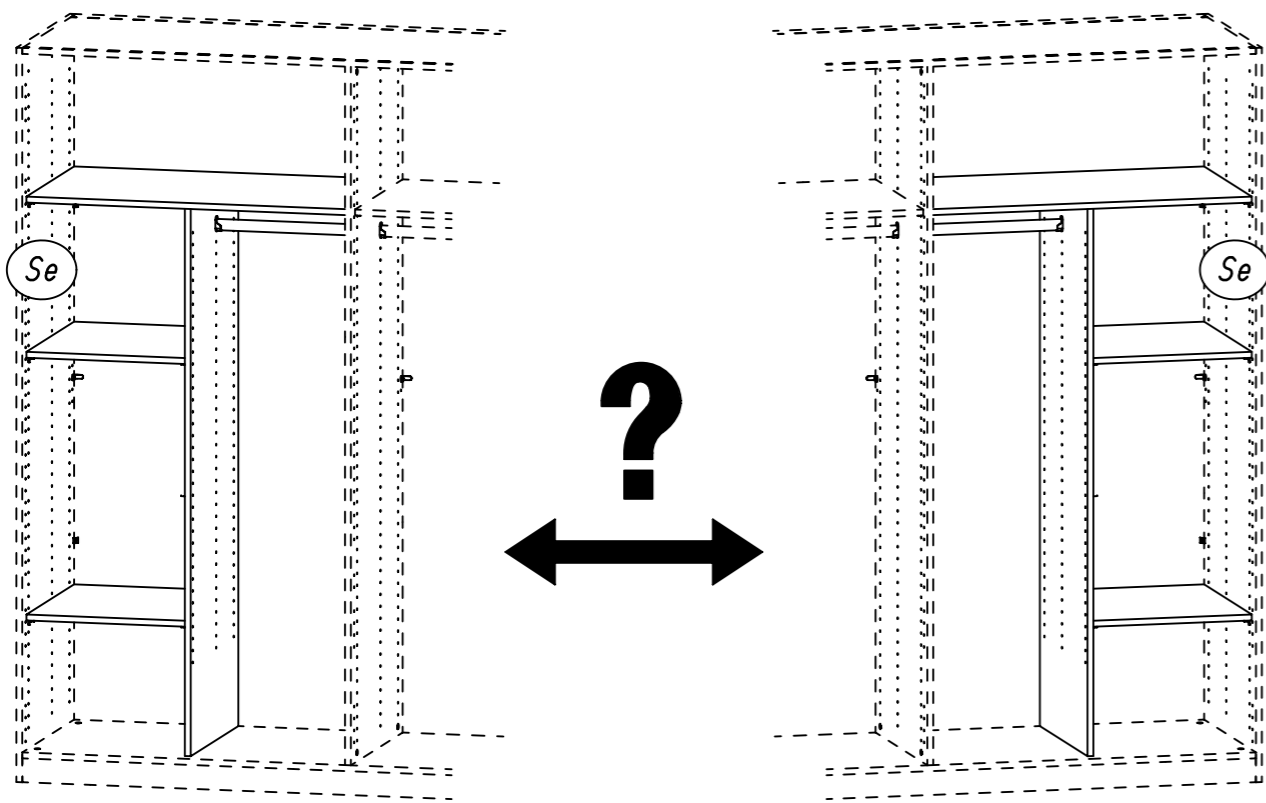


BO010

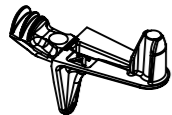


1.

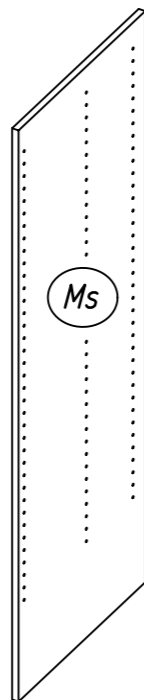
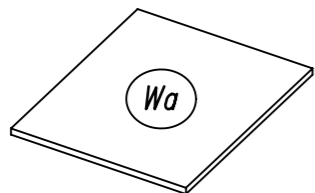
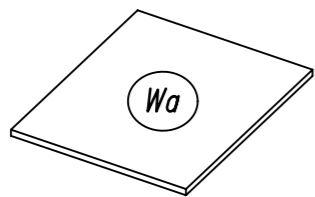
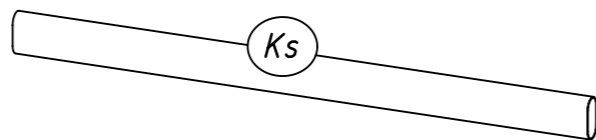
ME204_07



1105

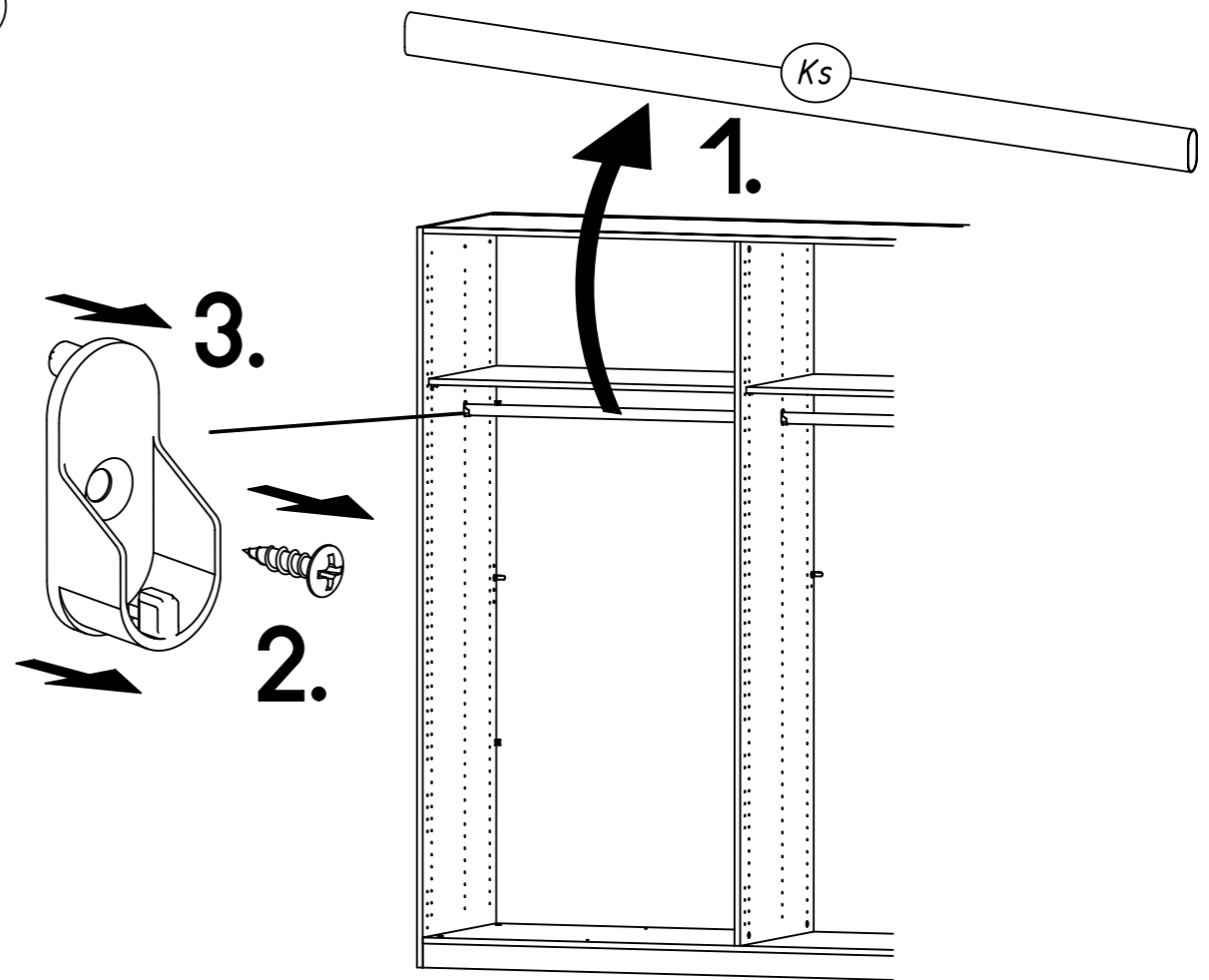


Ks



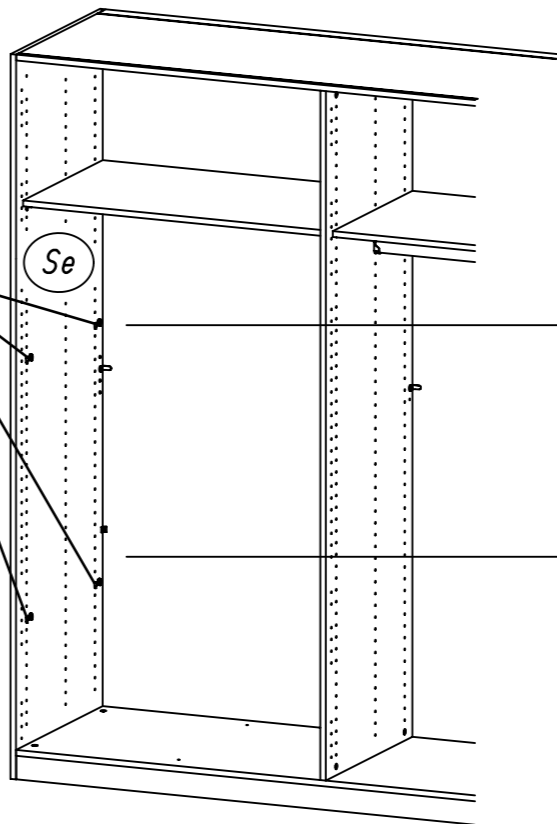
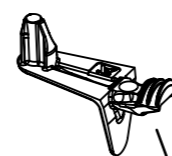
2.

1

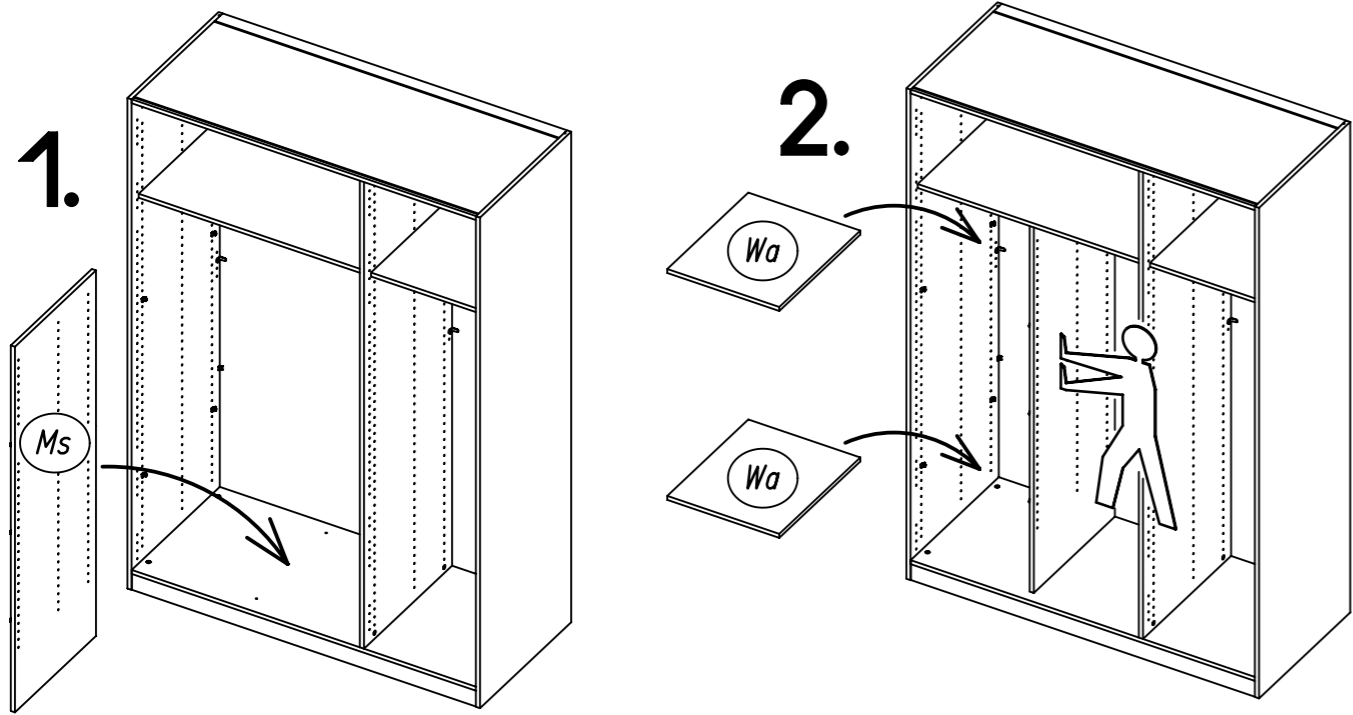


2

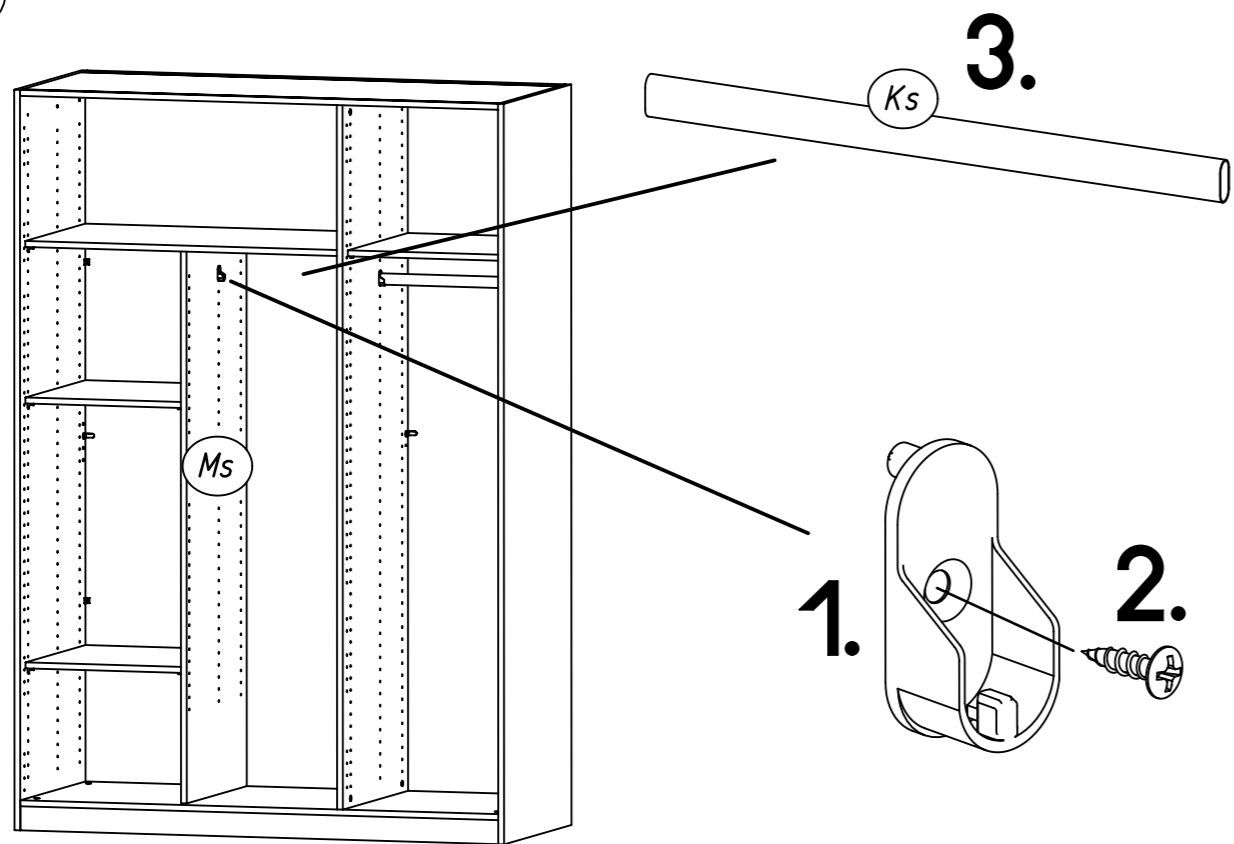
1105



3

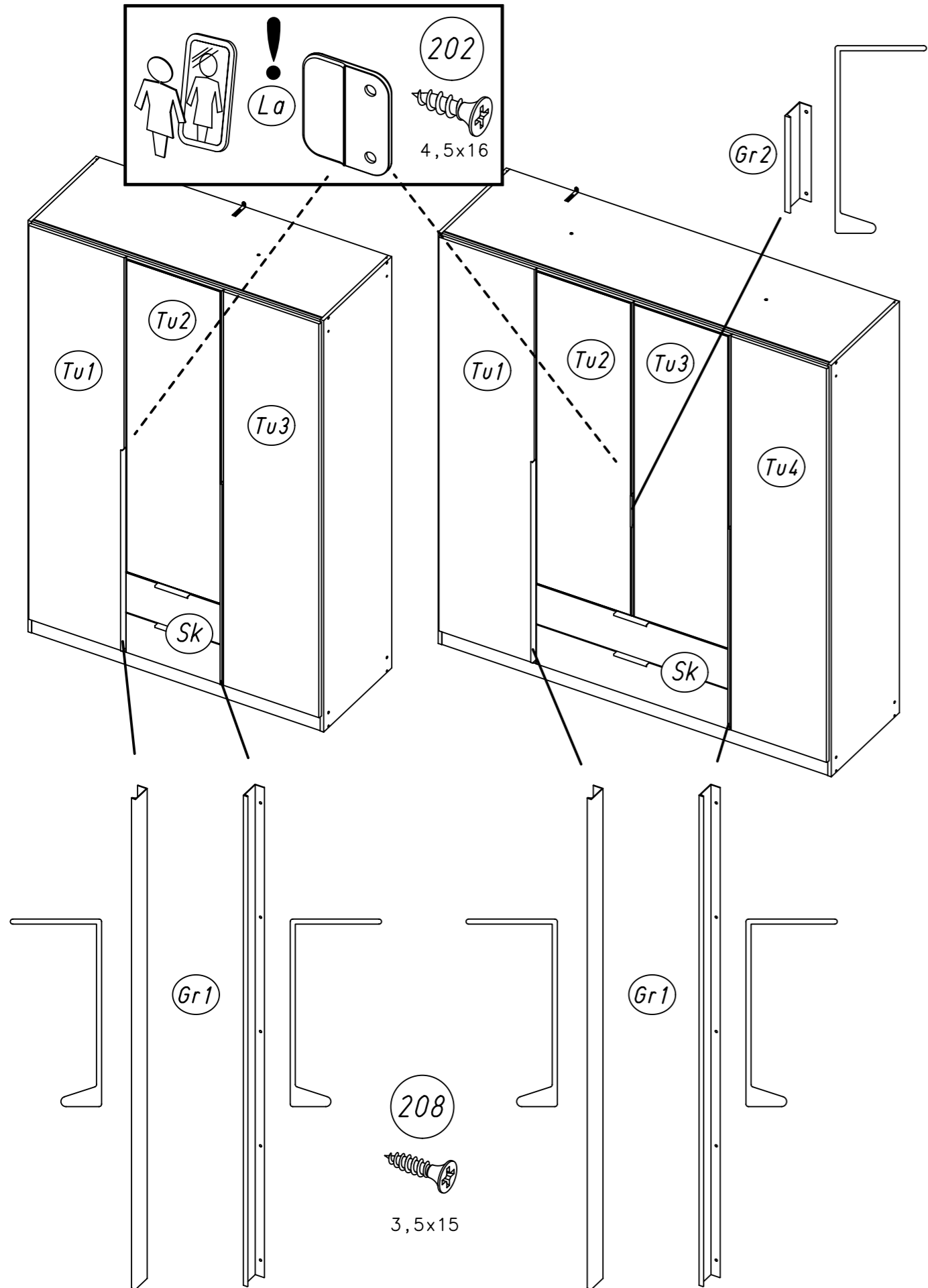


4

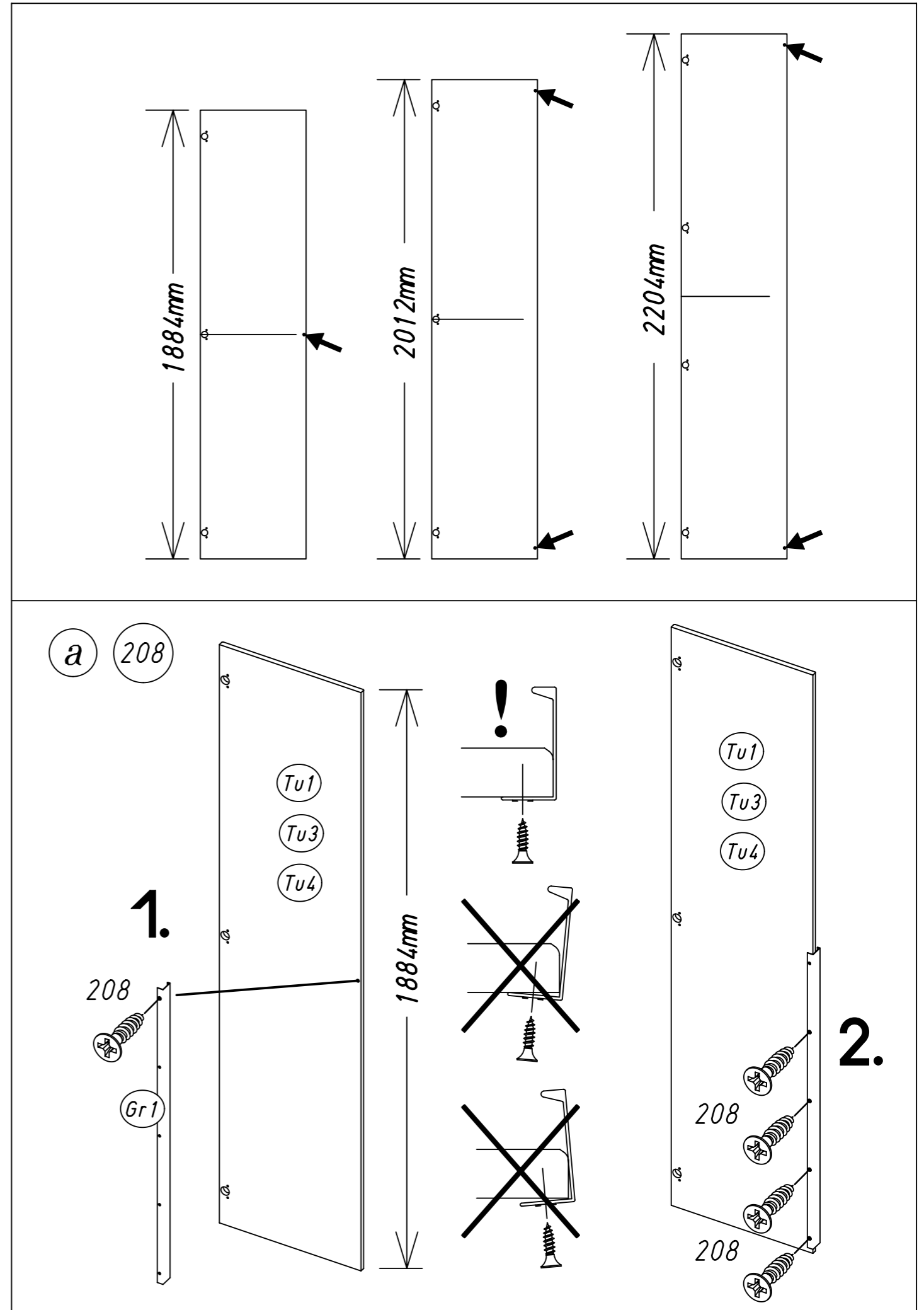


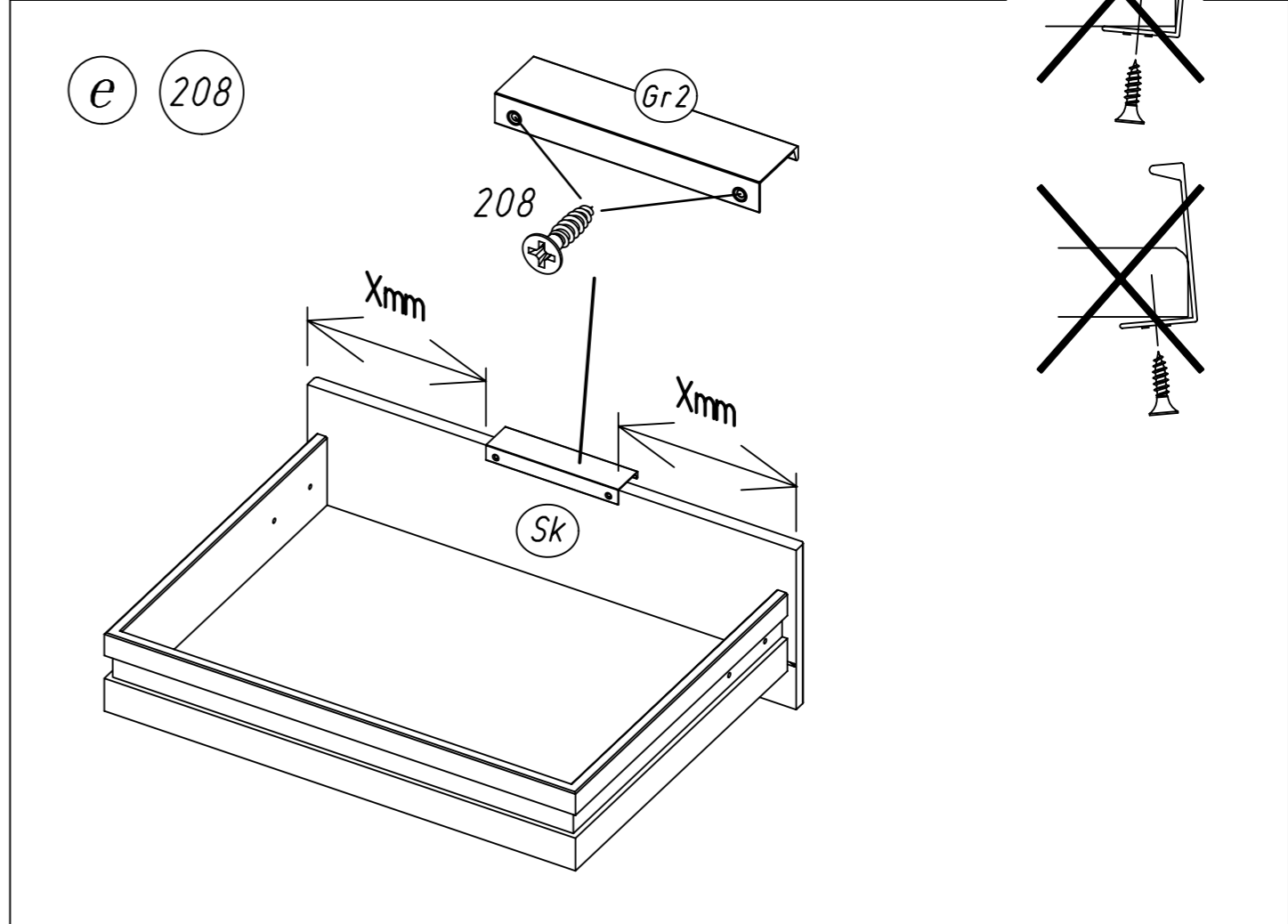
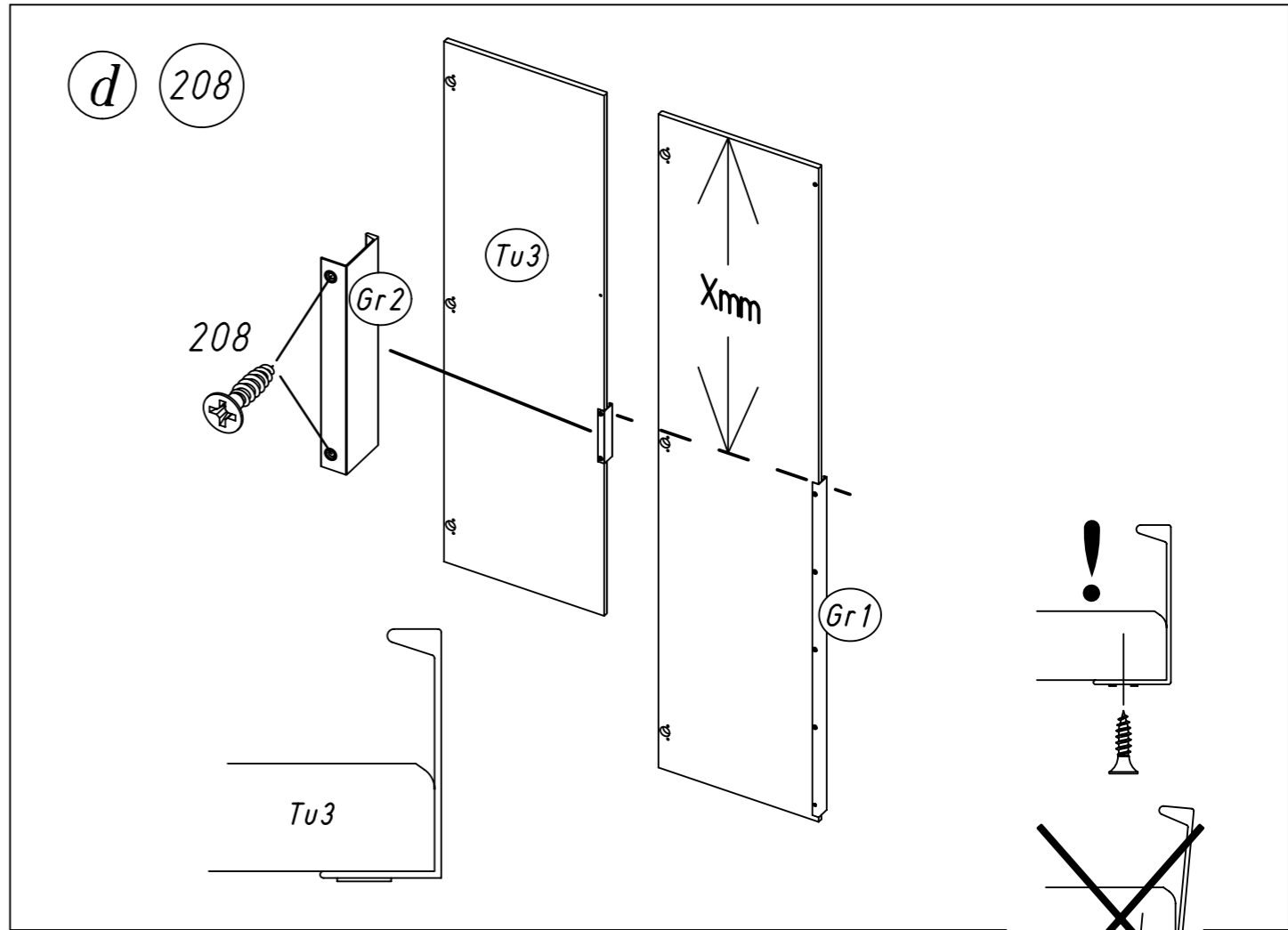
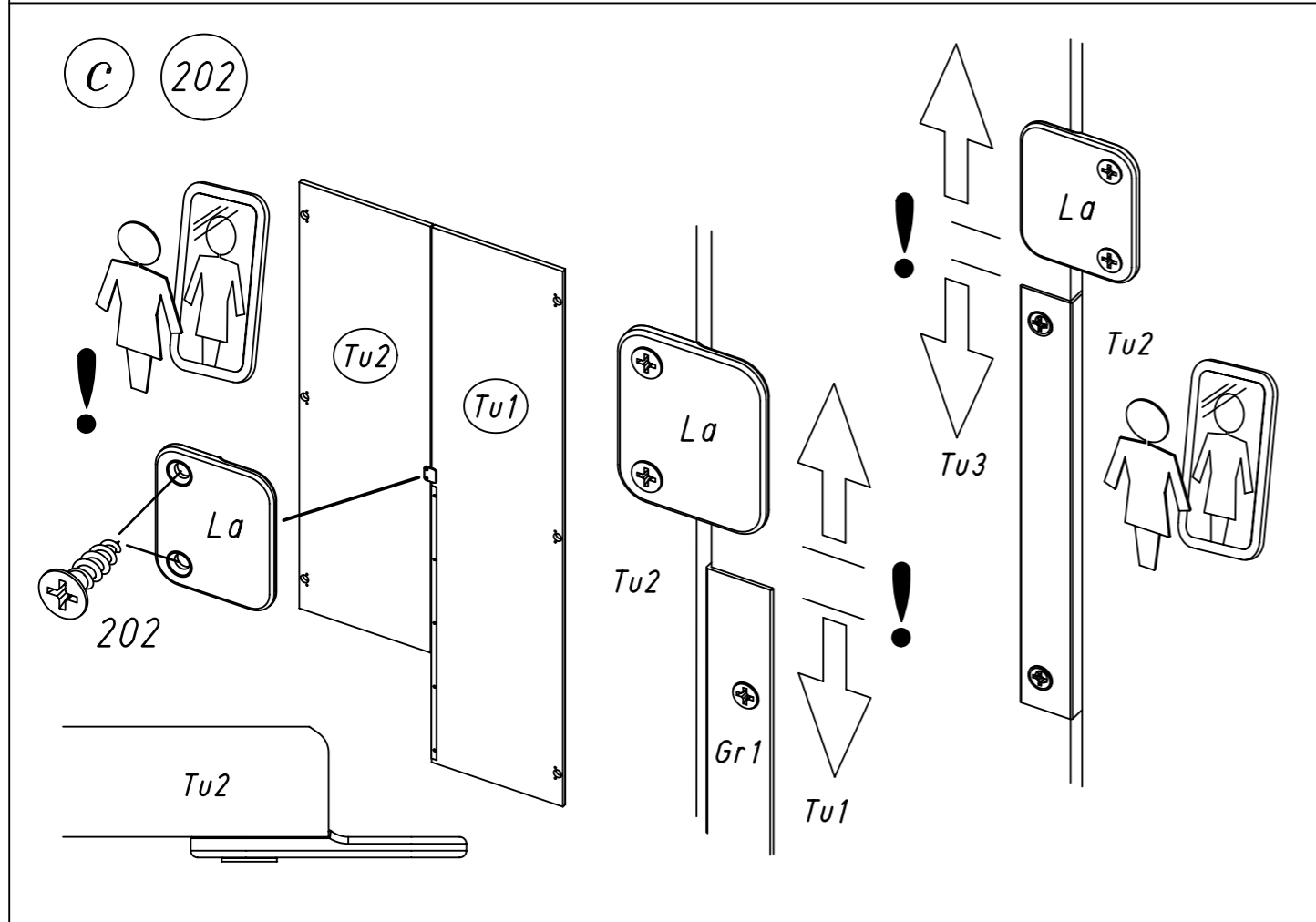
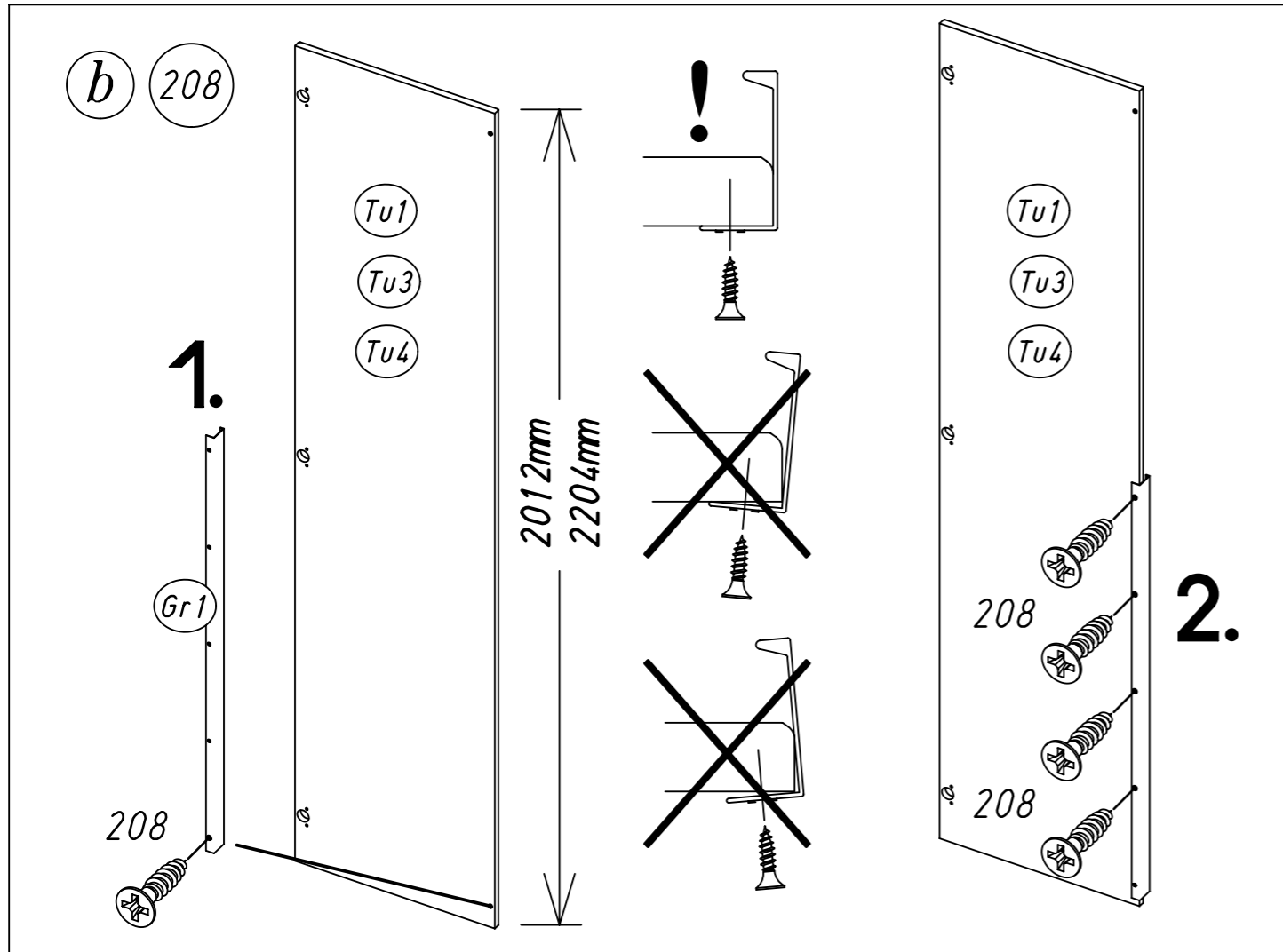
1.

MZ056_01

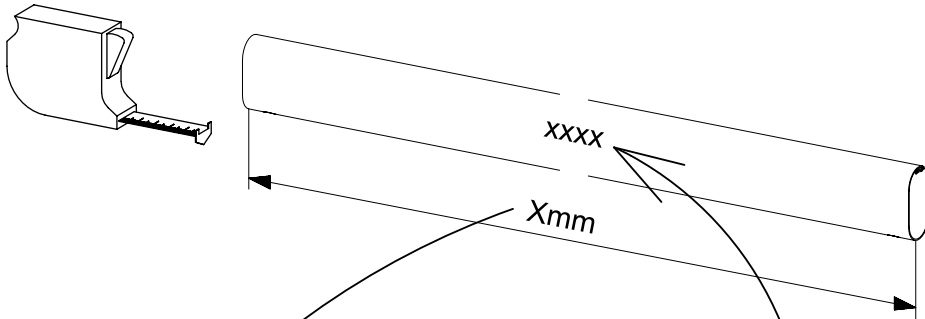
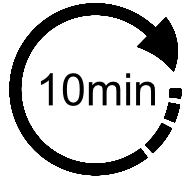
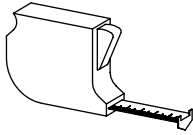
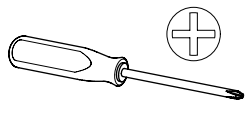


2.





MZ110_04

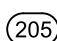



Xmm	  	xxxx
393mm	max. 40kg	2000
426mm	max. 40kg	2001
538mm	max. 40kg	2011
563mm	max. 40kg	2002
650mm	max. 40kg	2003
809mm	max. 40kg	2004
873mm	max. 40kg	2006
890mm	max. 40kg	2010
1097mm	max. 40kg	2008

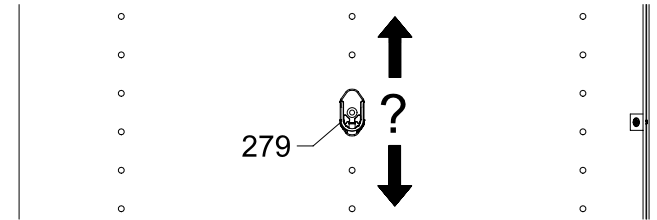
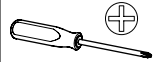
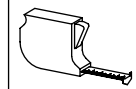


xxxx = 2000, 2001, 2002, 2003, 2004, 2006, 2008, 2010, 2011,

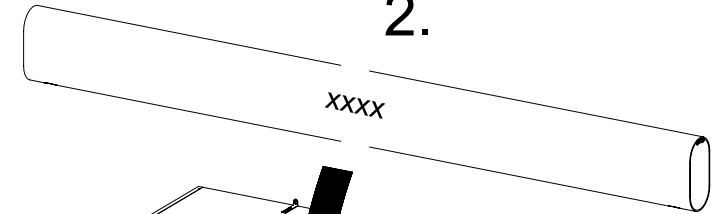
1

2x  3,5x15

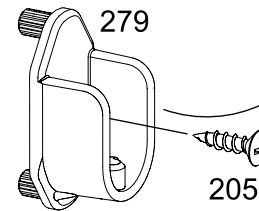
2x 



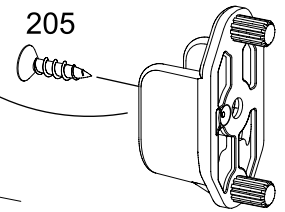
2.



1.

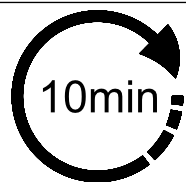
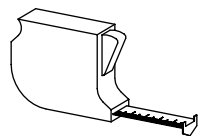



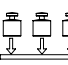
1.

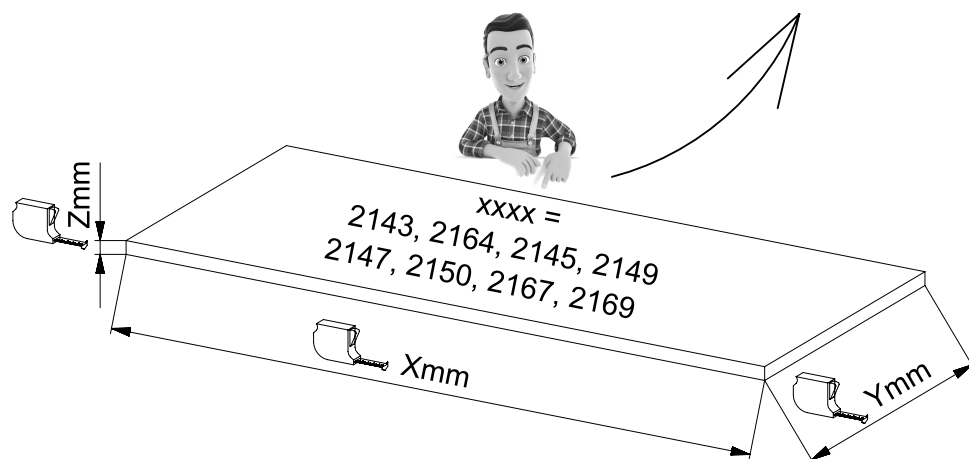


279


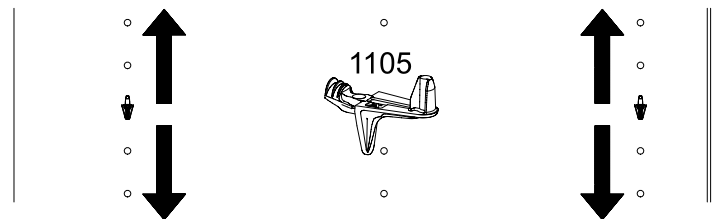
MZ112_05



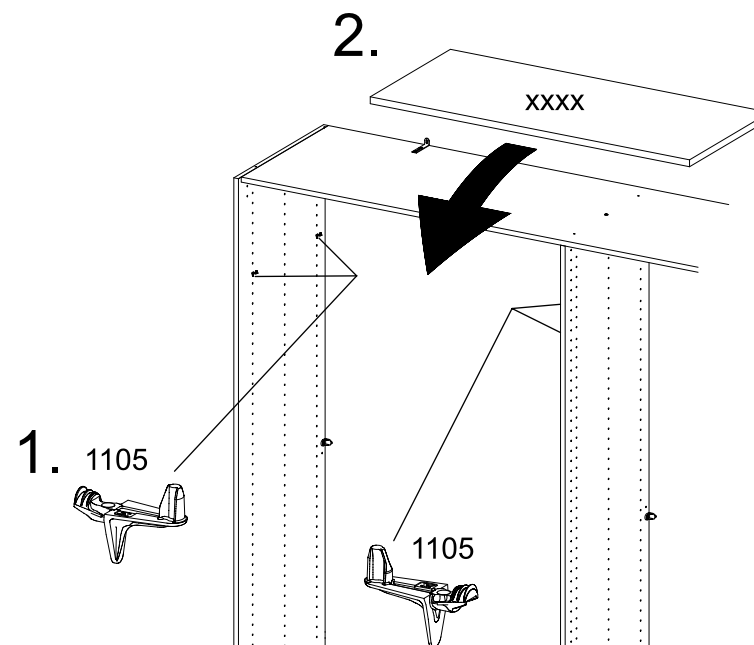
Xmm	Ymm	Zmm	 	XXXX
432mm	450mm	16mm	max. 10kg	2143
632mm	450mm	16mm	max. 10kg	2164
656mm	450mm	16mm	max. 10kg	2145
848mm	450mm	16mm	max. 10kg	2149
880mm	450mm	16mm	max. 10kg	2147
1064mm	450mm	22mm	max. 25kg	2150
848mm	395mm	16mm	max. 10kg	2167
632mm	395mm	16mm	max. 10kg	2169



1

4x  1105

2.



3.

