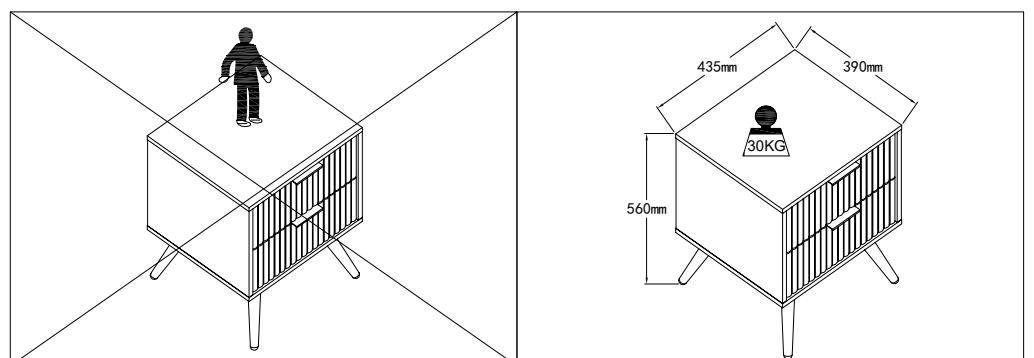
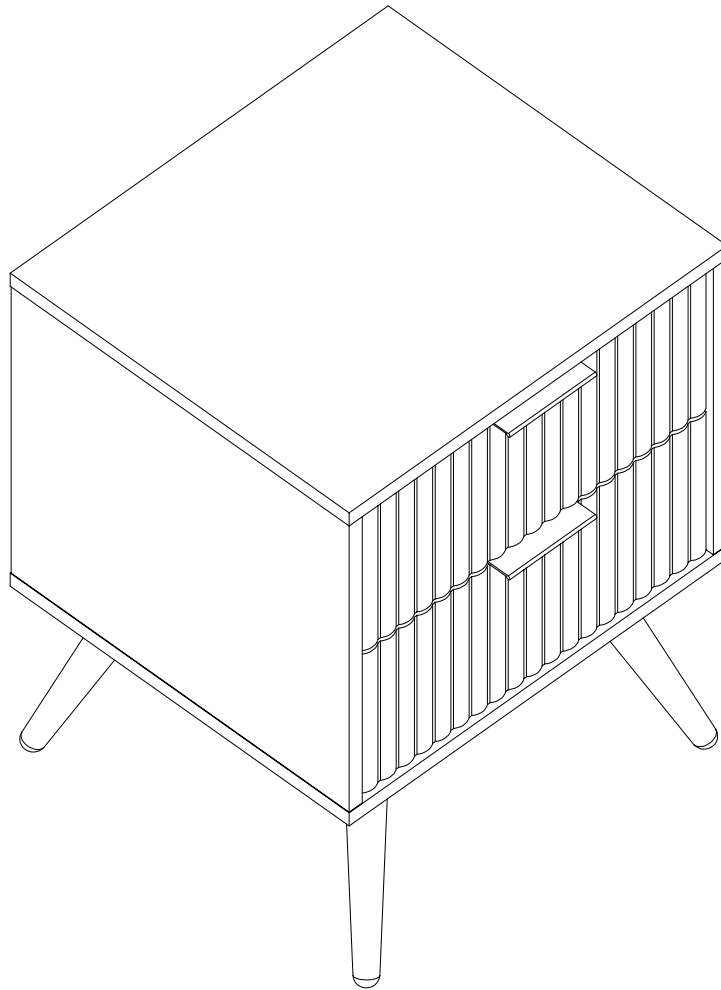
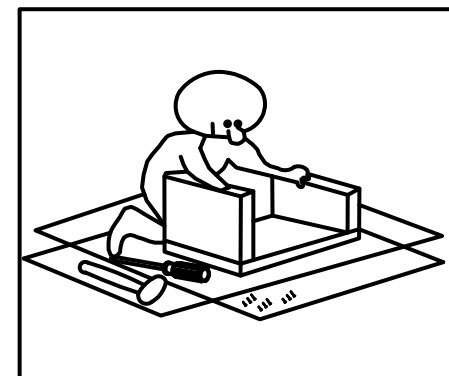
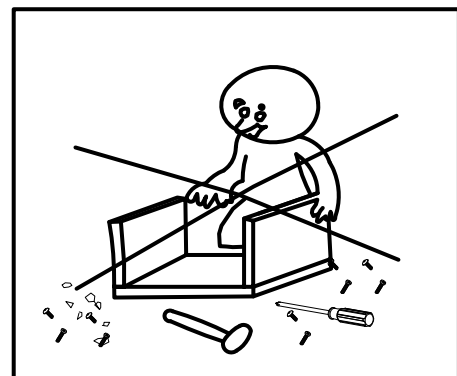
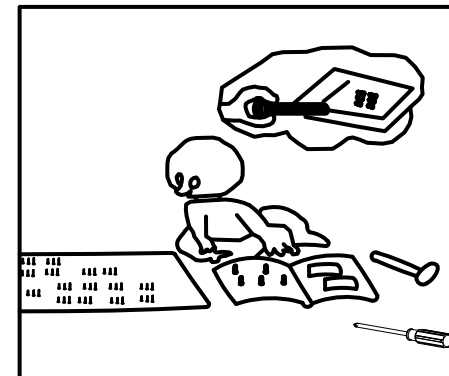
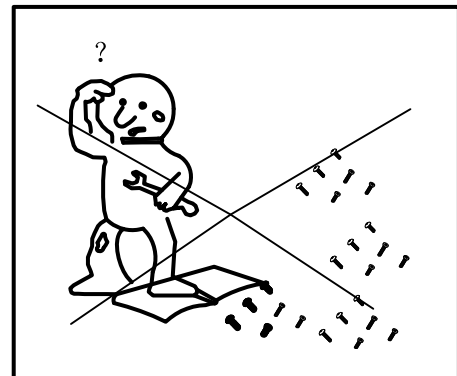
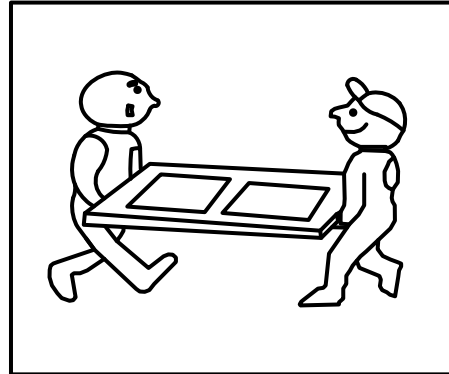
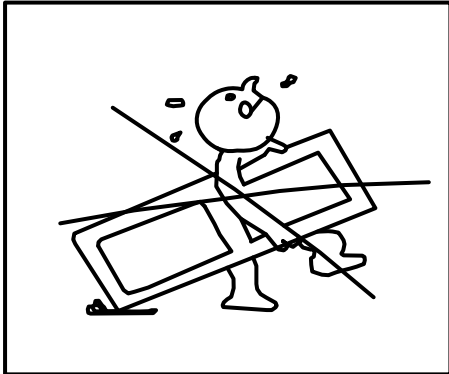
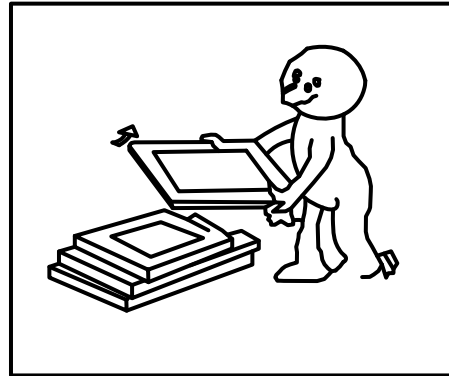
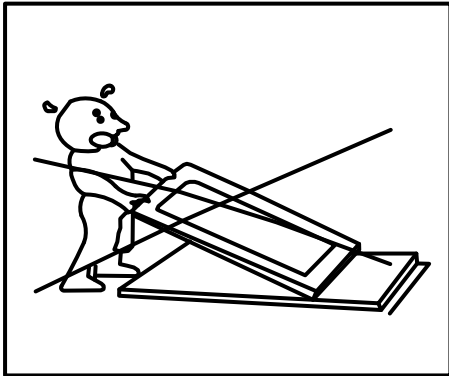
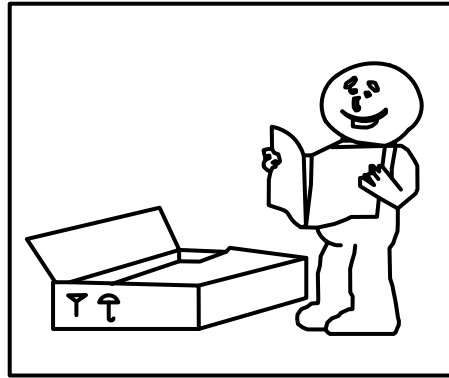
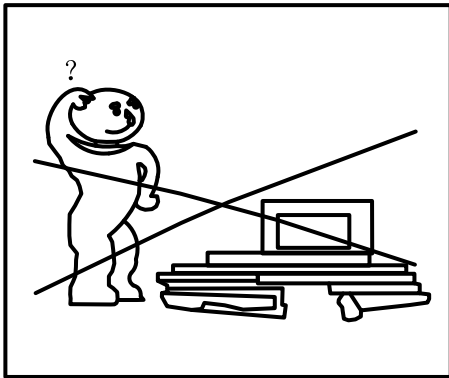
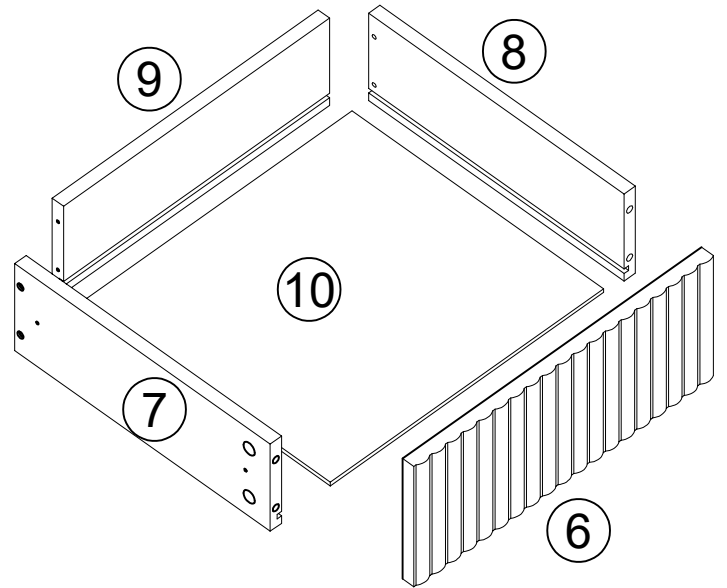
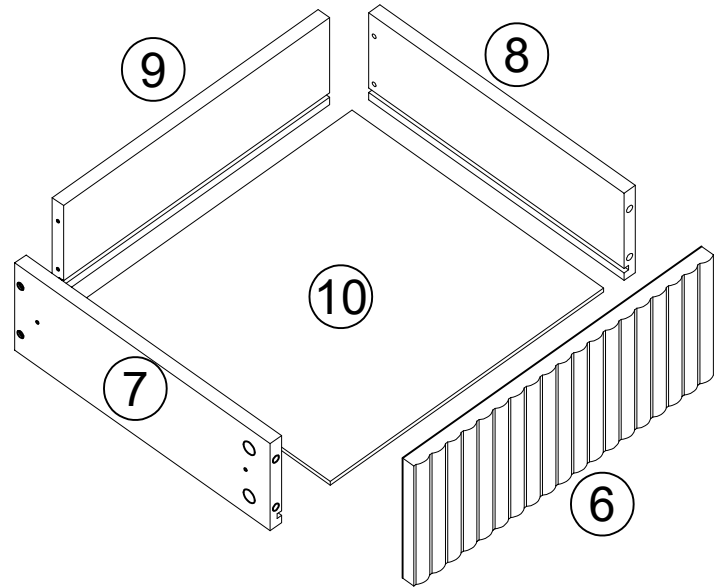
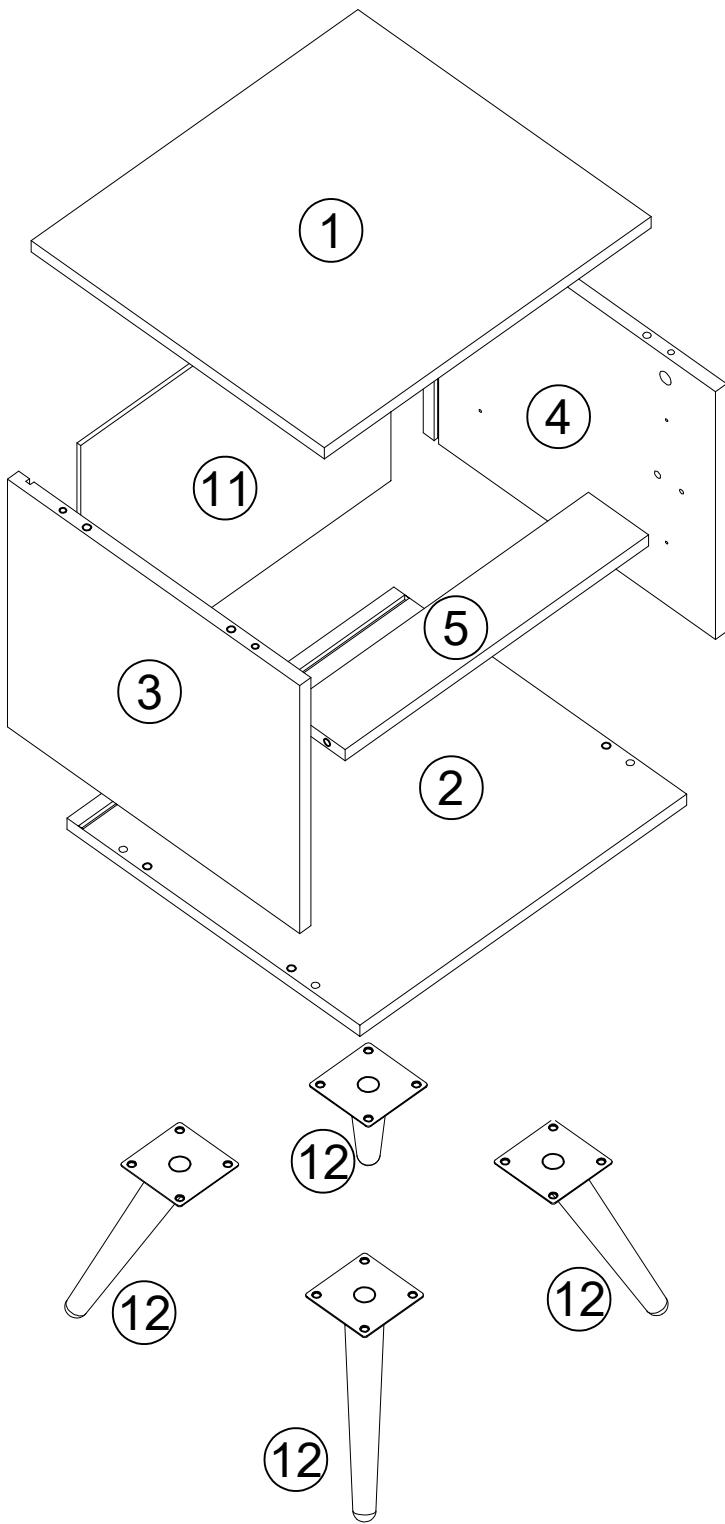
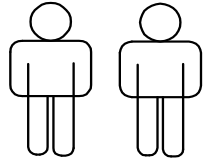
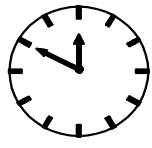
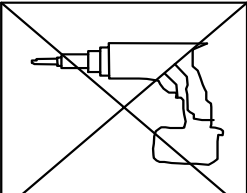
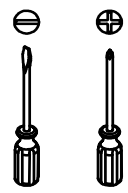







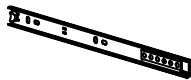


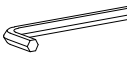

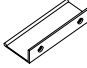

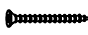



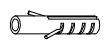
WL6.881



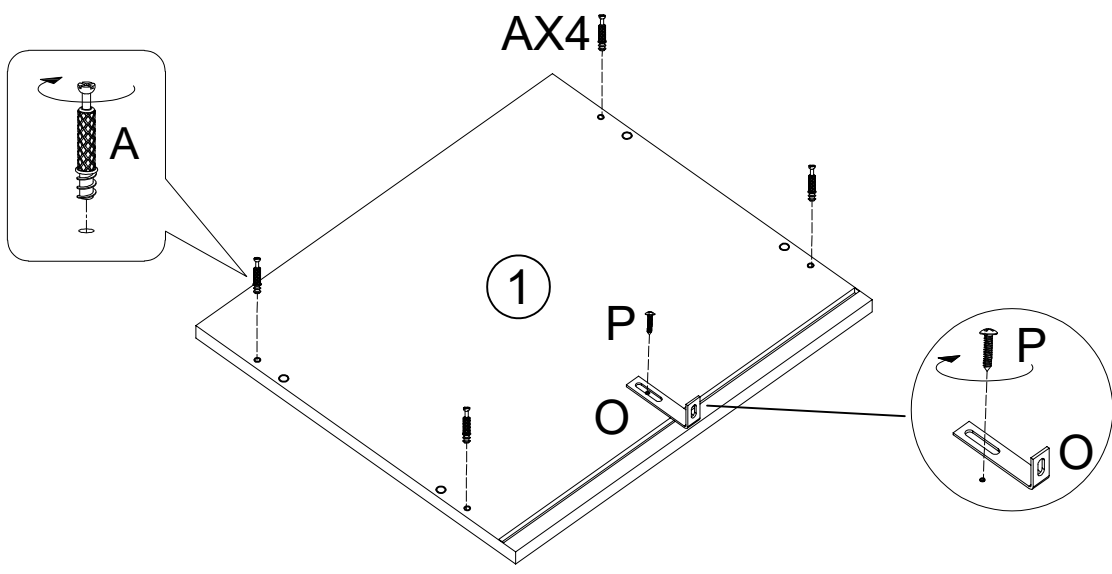







<p>2 PERSONEN</p> 	 <p>50min</p>		
---	--	--	---

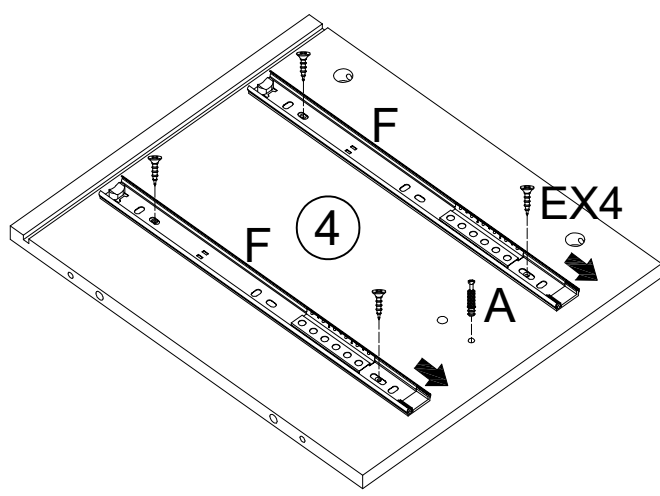
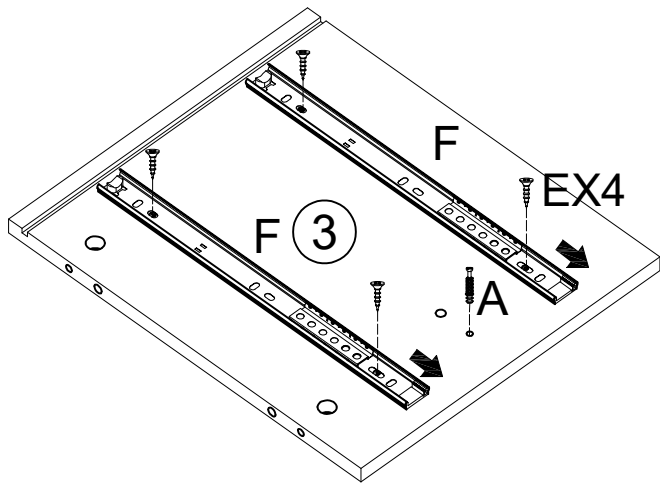
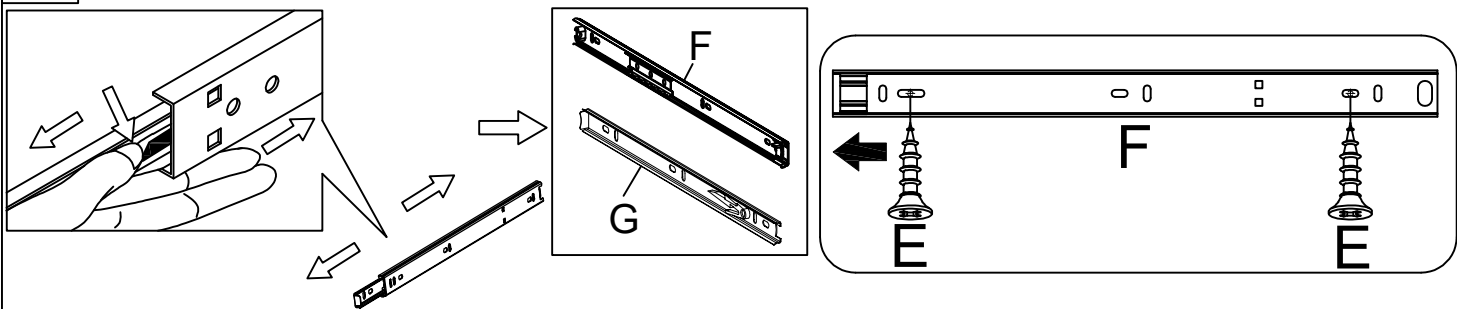
A	x14	B	x14	C	x10	D	x4	E	x24	F	x4	G	x4
													
M6x35mm		Φ15mm		Φ8x30mm		M7x40mm		M3.5x14mm					
H	x4	I	x1	J	x16	K	x2	L	x8	M	x8	N	x1
													
		4mm		M6x12mm				Φ20mm		M4x35mm		M4x35mm	
O	x1	P	x1	Q	x1								
													
		M4x14mm											



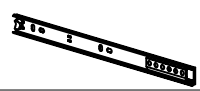
1



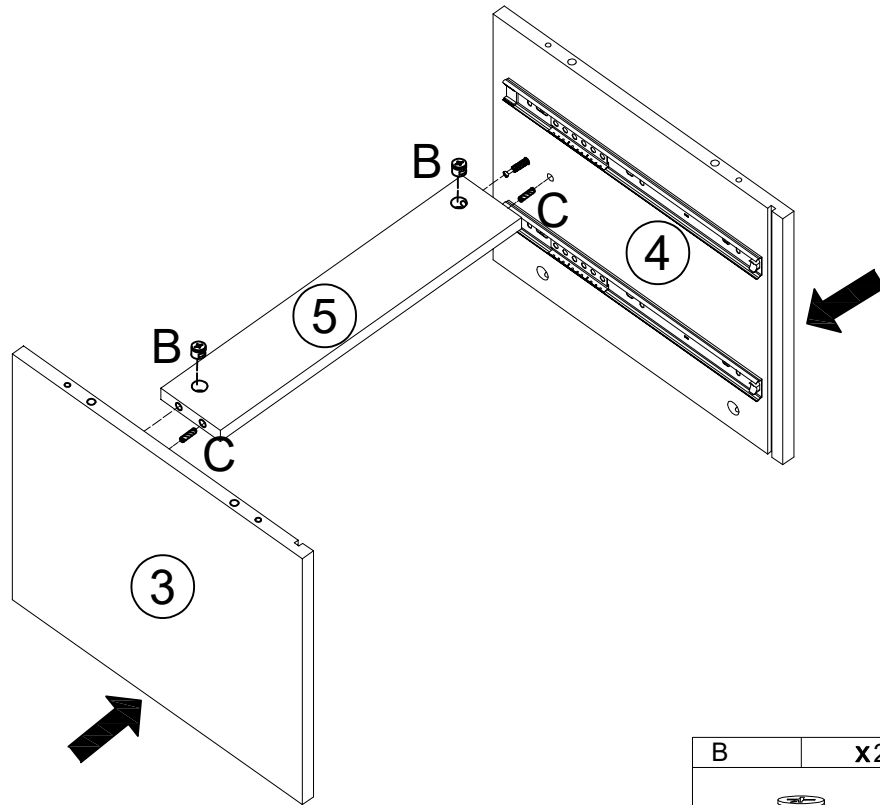
A	x4	O	x1	P	x1
					
M6x35mm				M4x14mm	


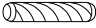
2



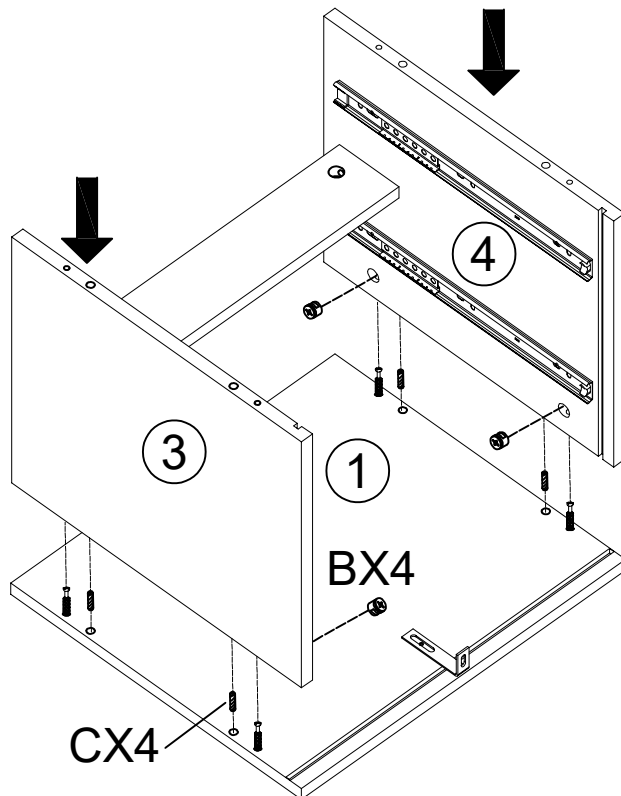
A	x2	E	x8	F	x4
					
M6x35mm		M3.5x14mm			



3



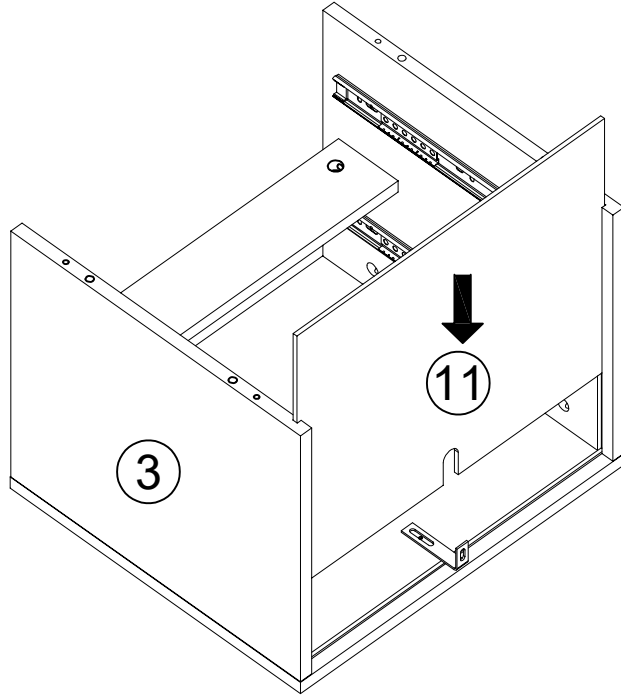
B	x2	C	x2
			
Φ15mm		Φ8x30mm	

4

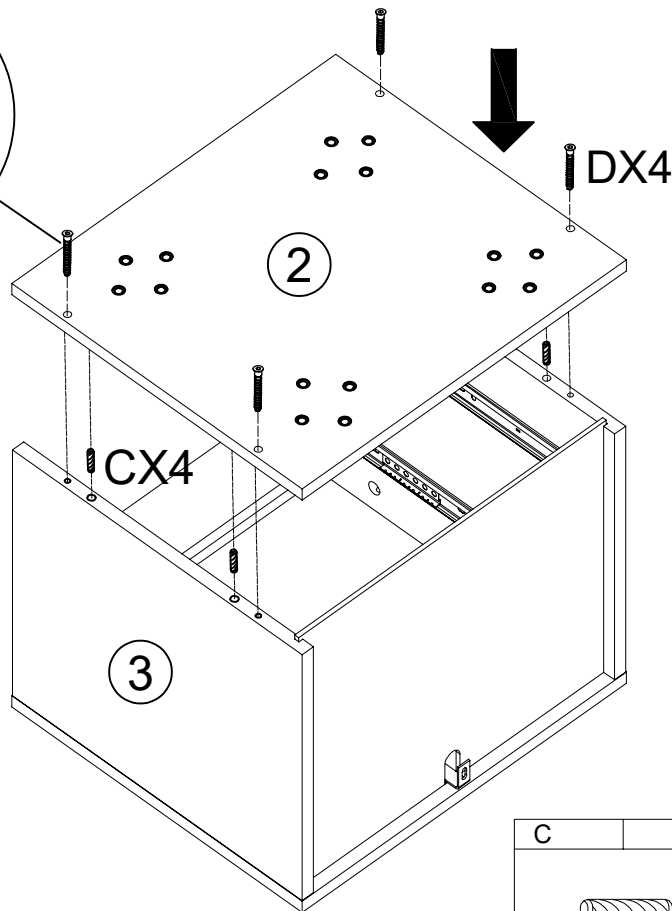
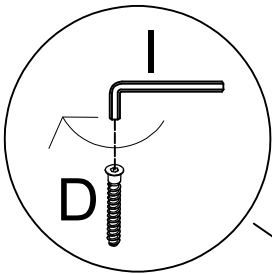


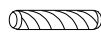


B	x4	C	x4
			
Φ15mm		Φ8x30mm	

5

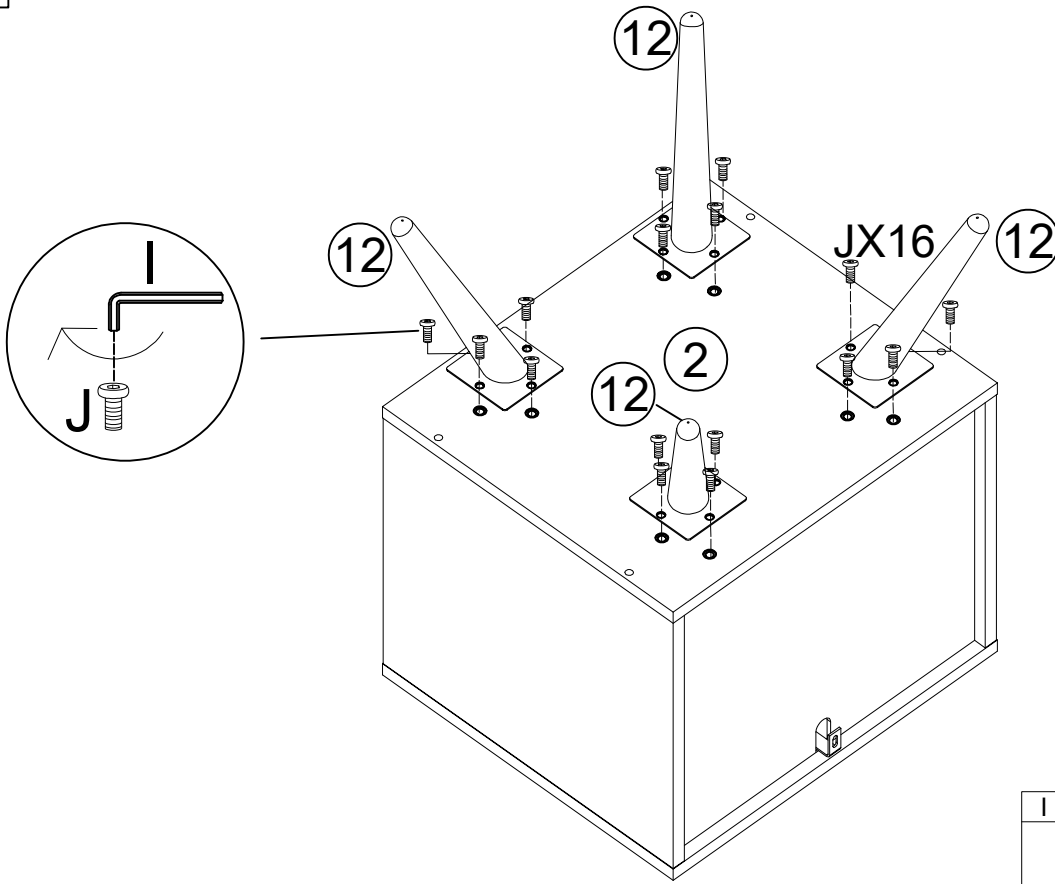


6



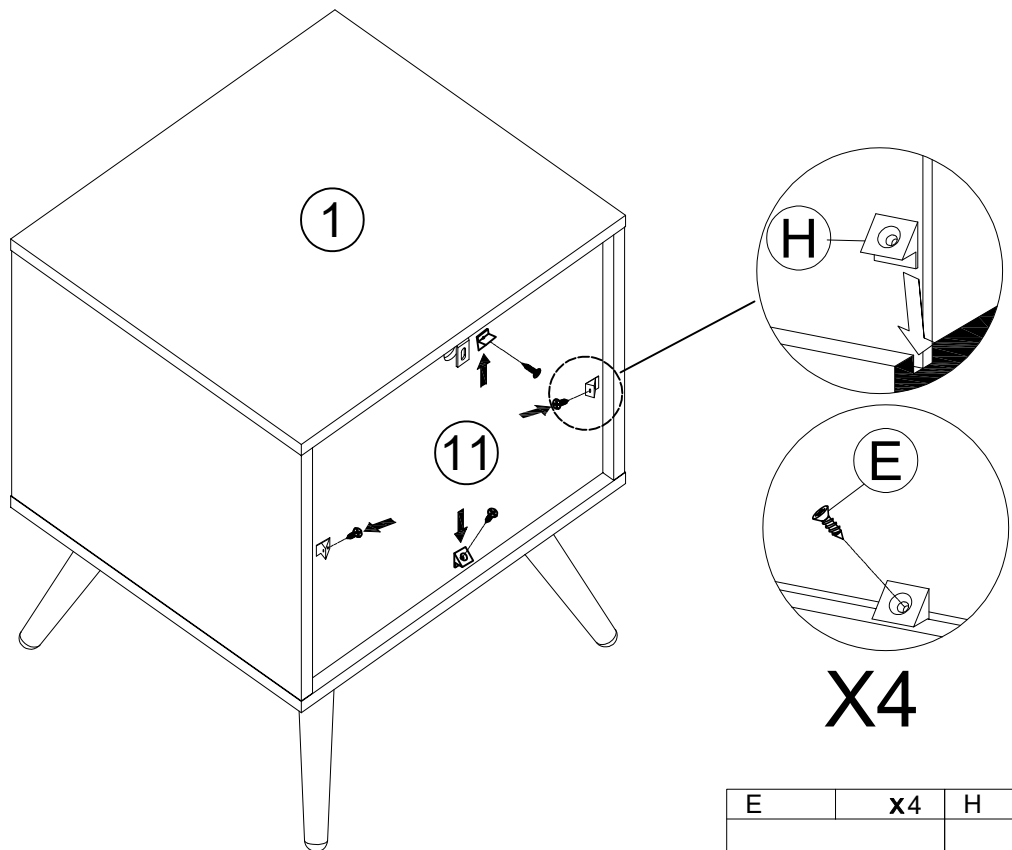
C	x4	D	x4	I	x1
					
Φ8x30mm		M7x40mm		4mm	

7



I	x1	J	x16
4mm		M6x12mm	

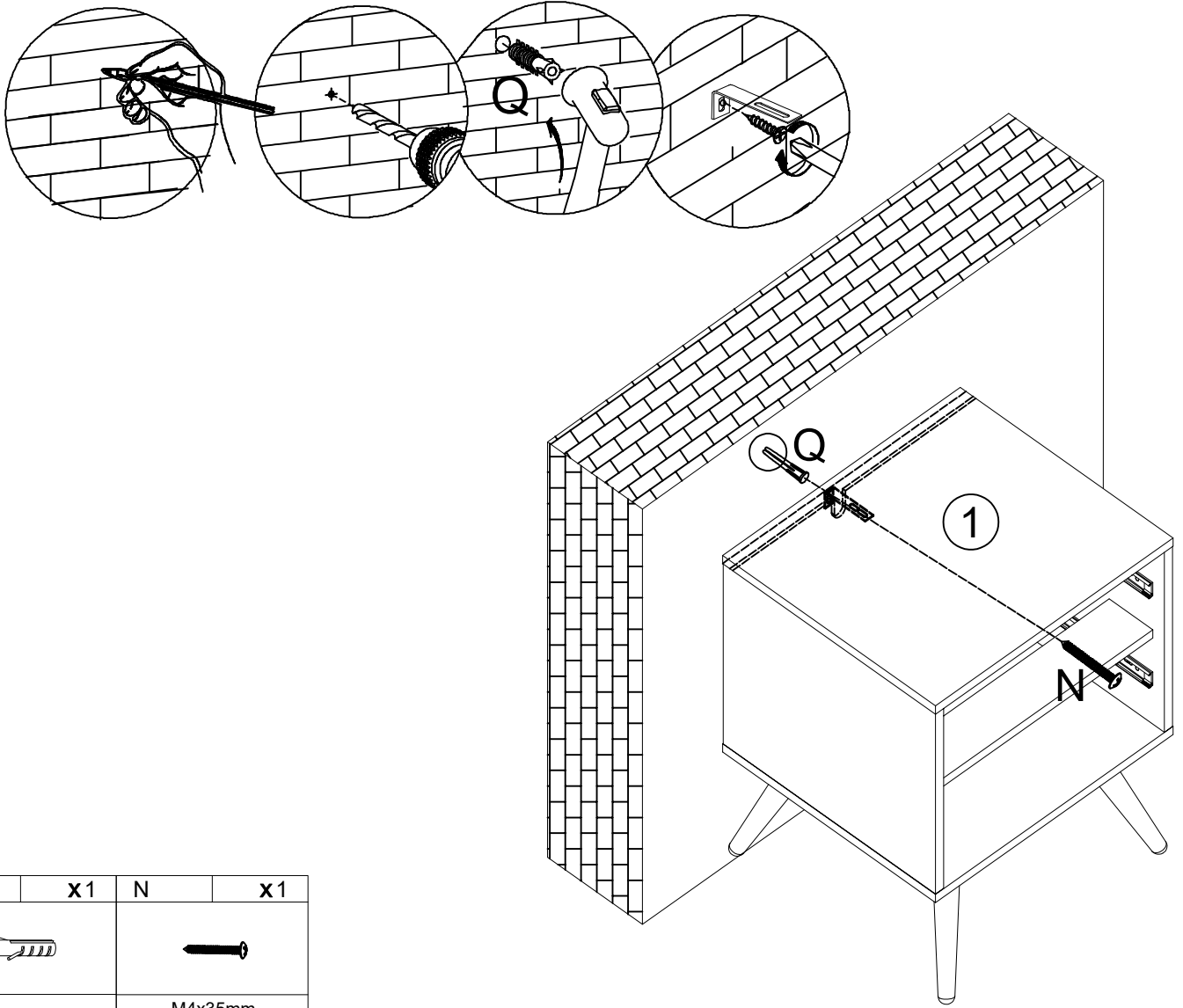
8

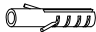



X4

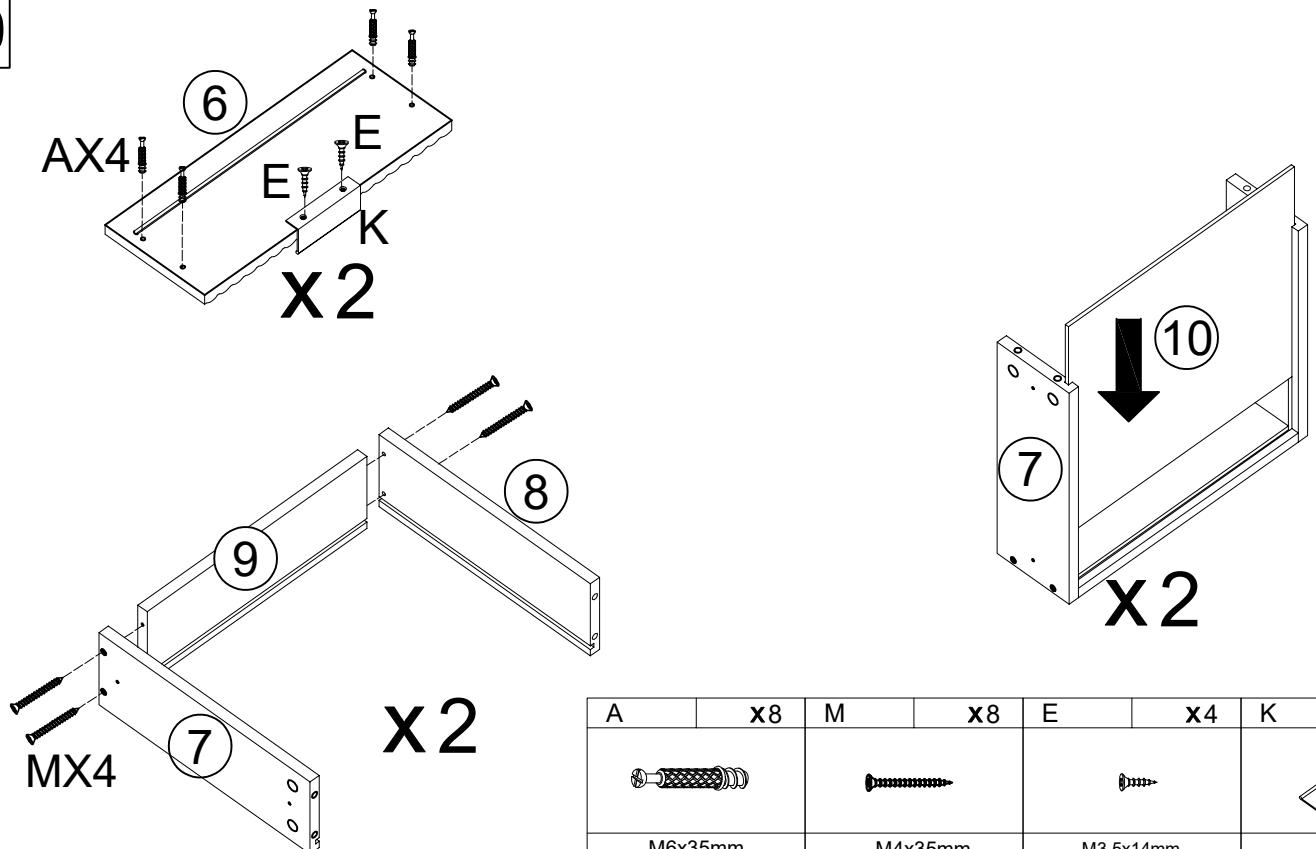
E	x4	H	x4
M3.5x14mm			




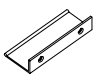
9



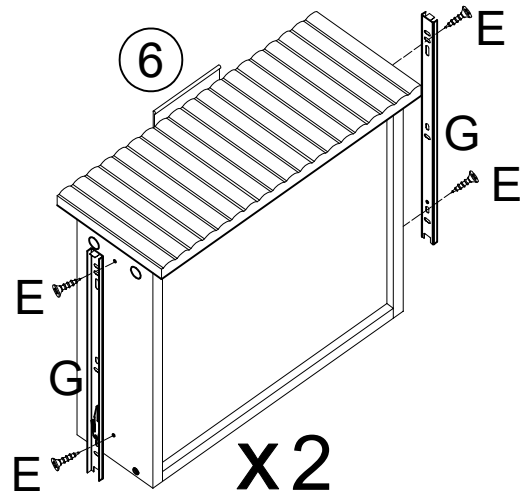
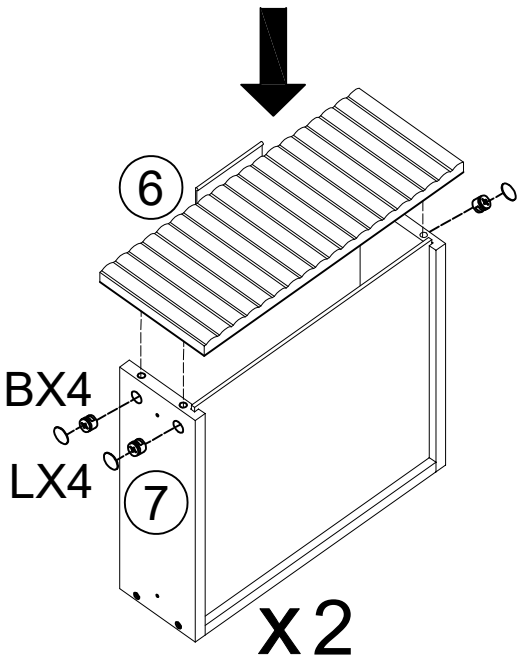
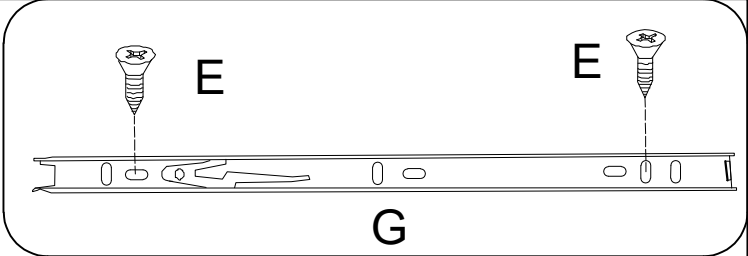
Q	x1	N	x1
			
		M4x35mm	

10



A	x8	M	x8	E	x4	K	x2
							
M6x35mm		M4x35mm		M3.5x14mm			

11



B	x8	E	x8	G	x4	L	x8
Φ15mm		M3.5x14mm				Φ20mm	

12

