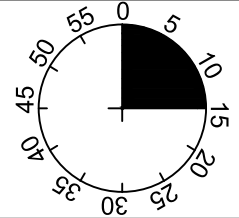
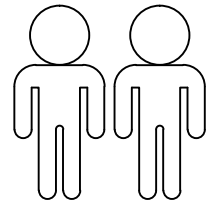
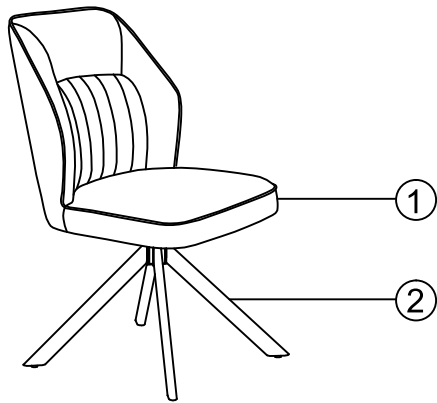


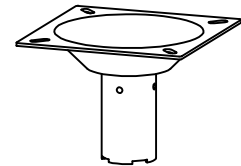
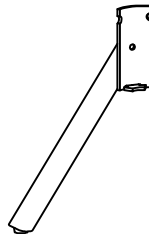
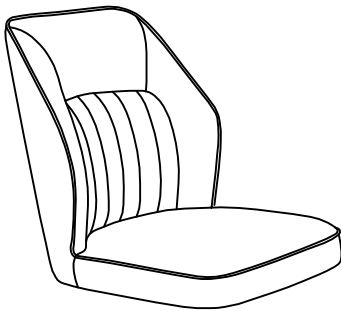
# Prizzi



1

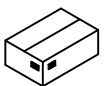
2

3



ZC7338

|   |    |
|---|----|
| 1 | 1x |
| 2 | 4x |
| 3 | 1x |



1/1

A

M6X13



4x

B

M6X20



4x

C

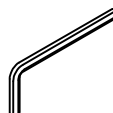
Ø18xØ6x1.5



8x

D

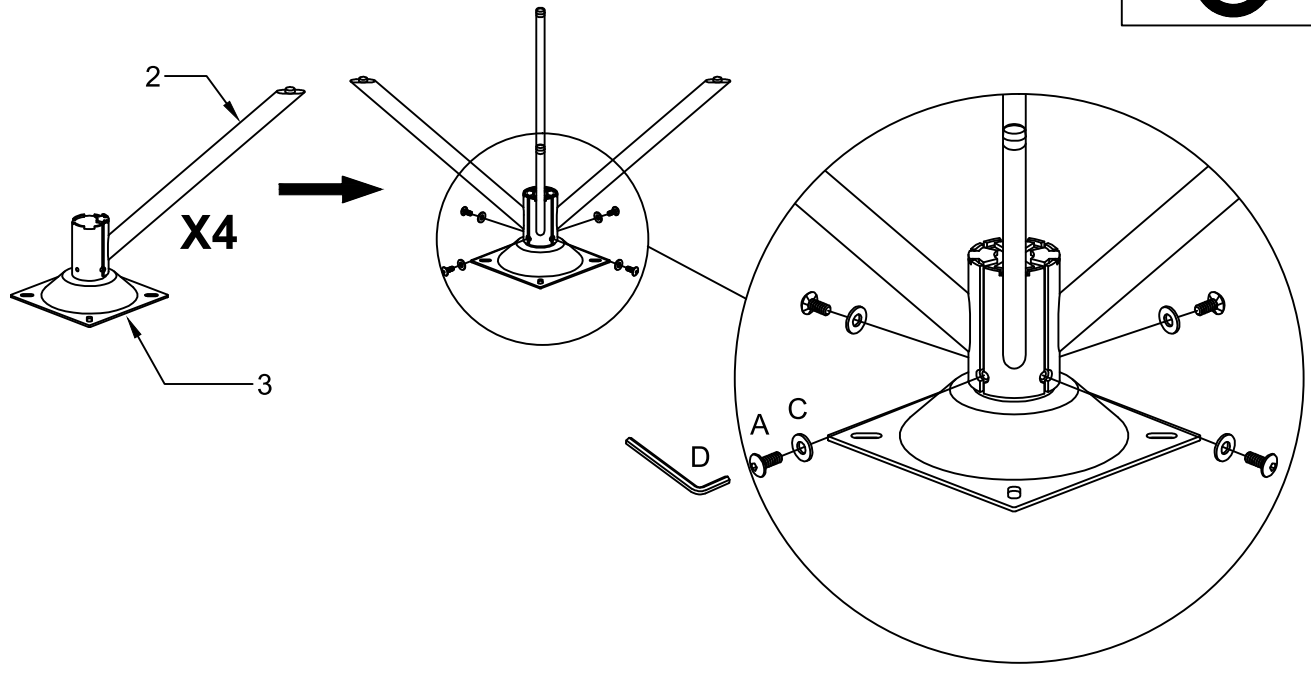
5MM



1x

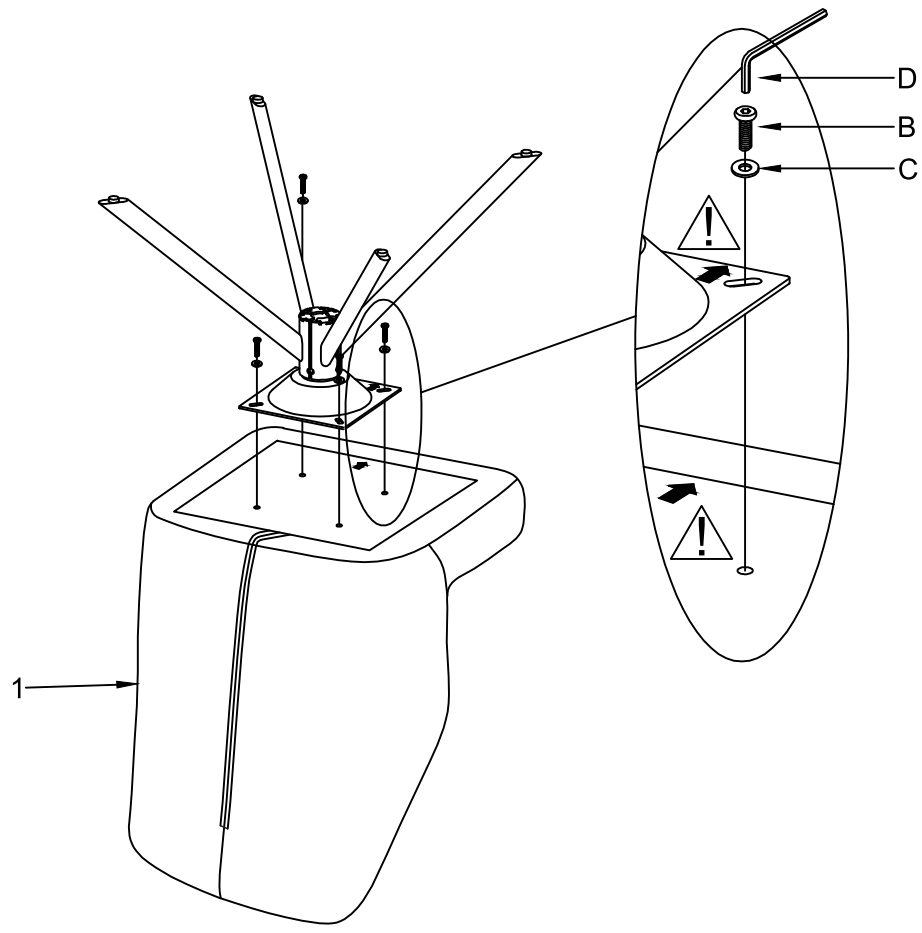
I.

1



- A M6x13  
4x
- C Ø18xØ6x1.5  
4x
- D 5MM  
1x
- 100%



2

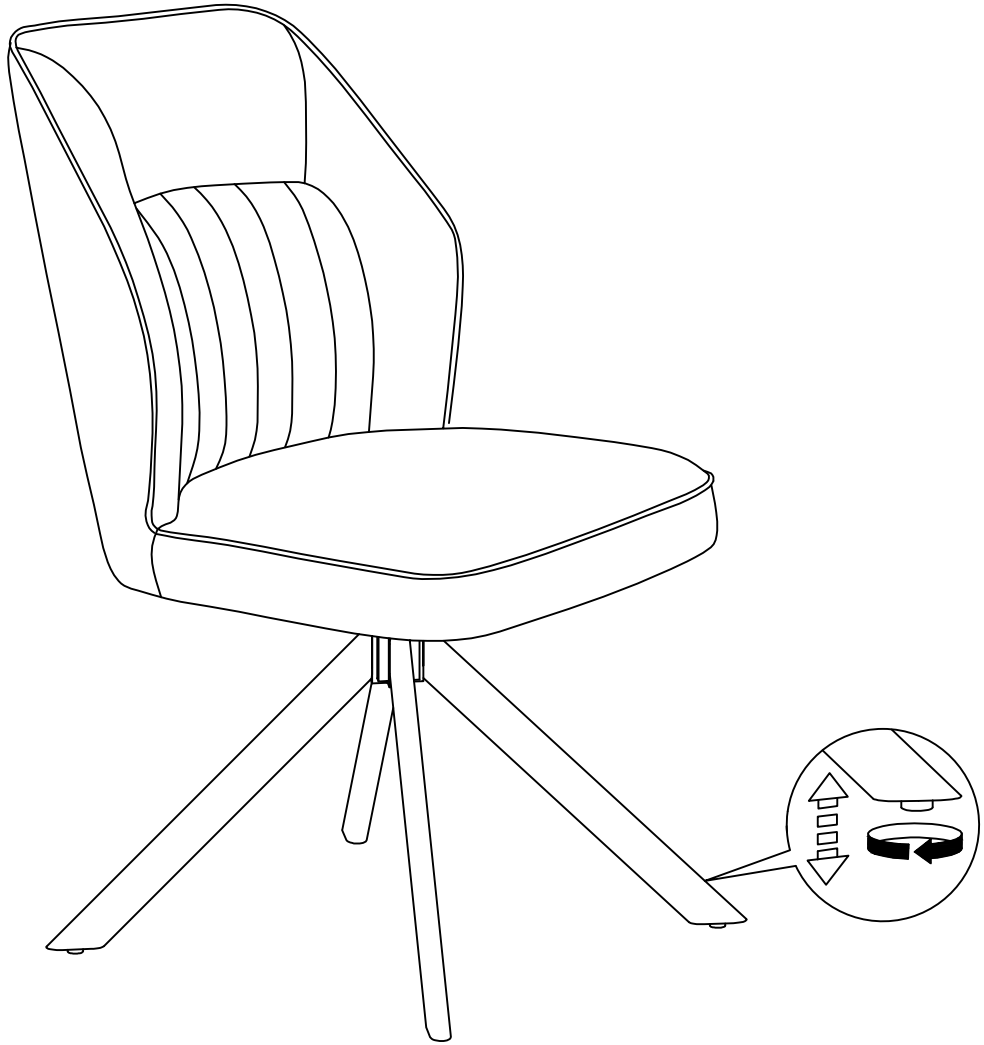


- B M6x20  
4x
- C Ø18xØ6x1.5  
4x
- D 5MM  
1x
- 80%

II.

3

|   |  |     |
|---|--|-----|
| D   |  | 5MM |
|   |  | 1x  |
|  |  |     |



**LE TRI + FACILE**  

*Séparez les éléments avant de trier*