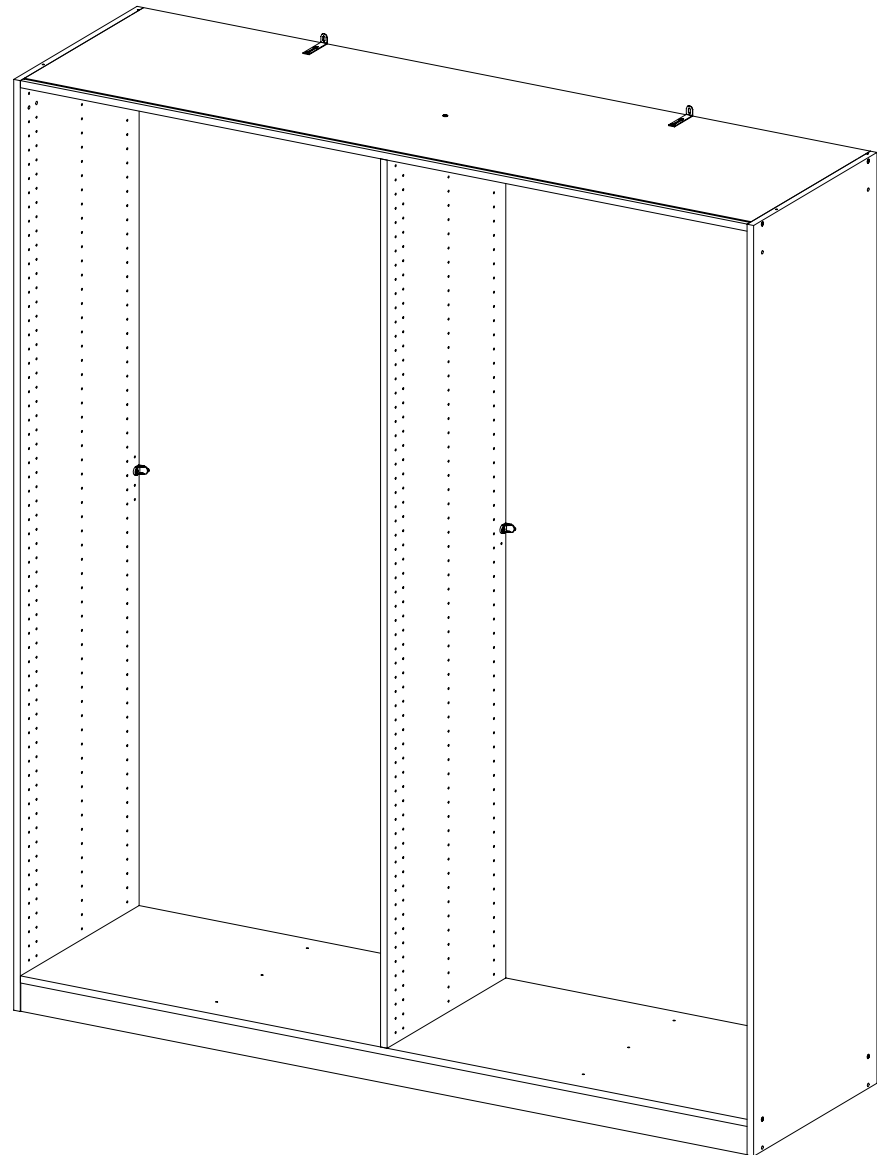
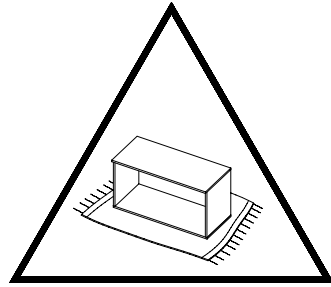
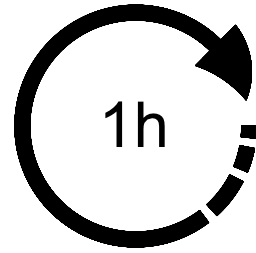
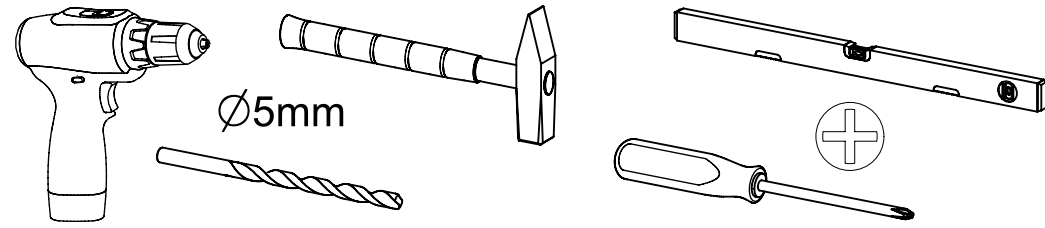
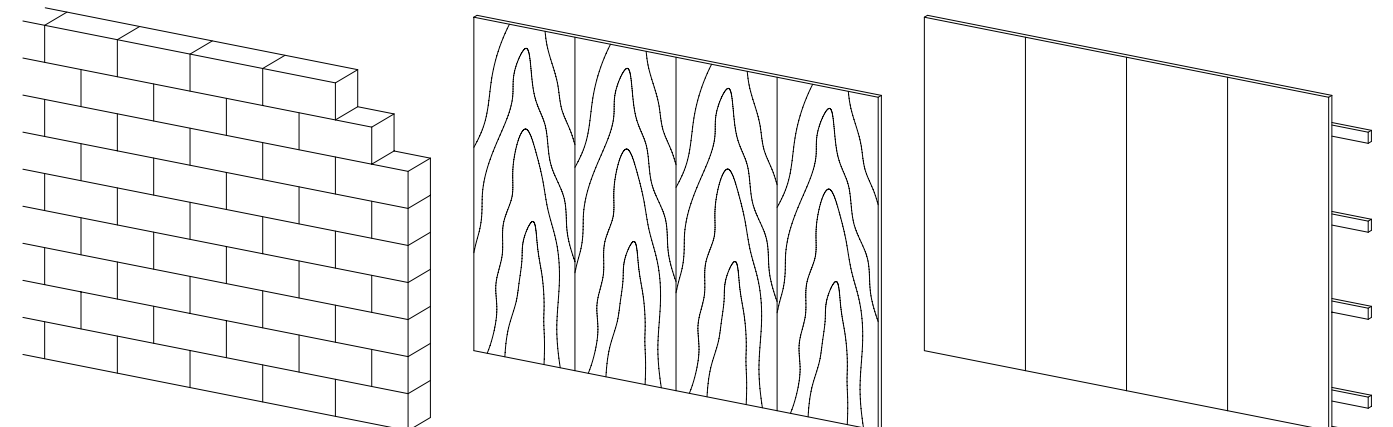
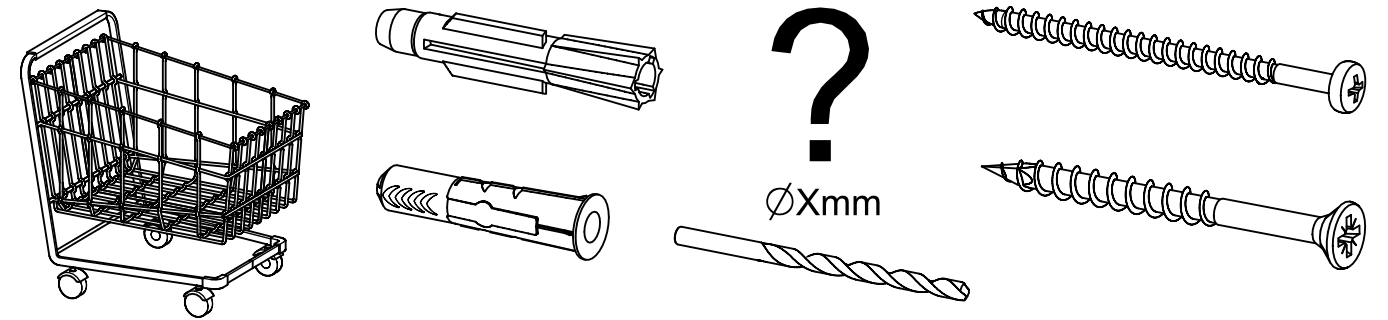
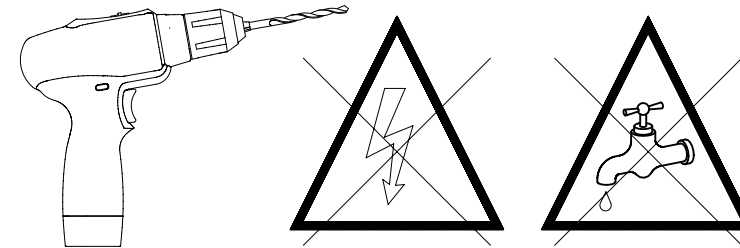
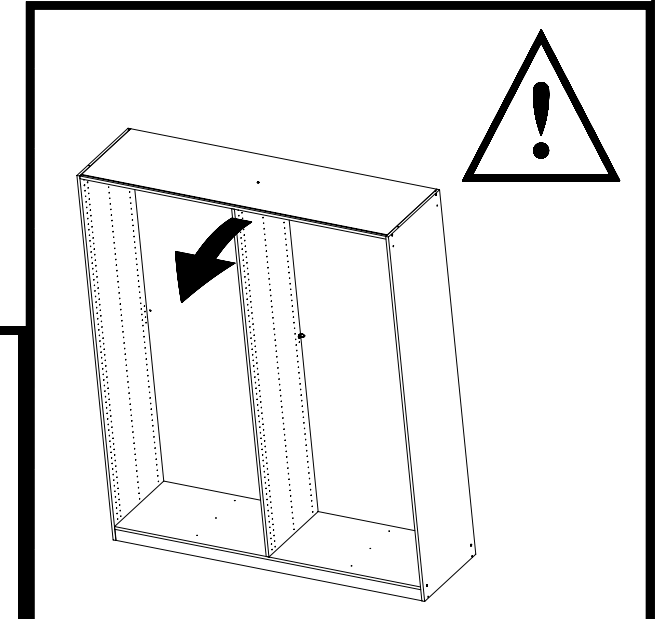
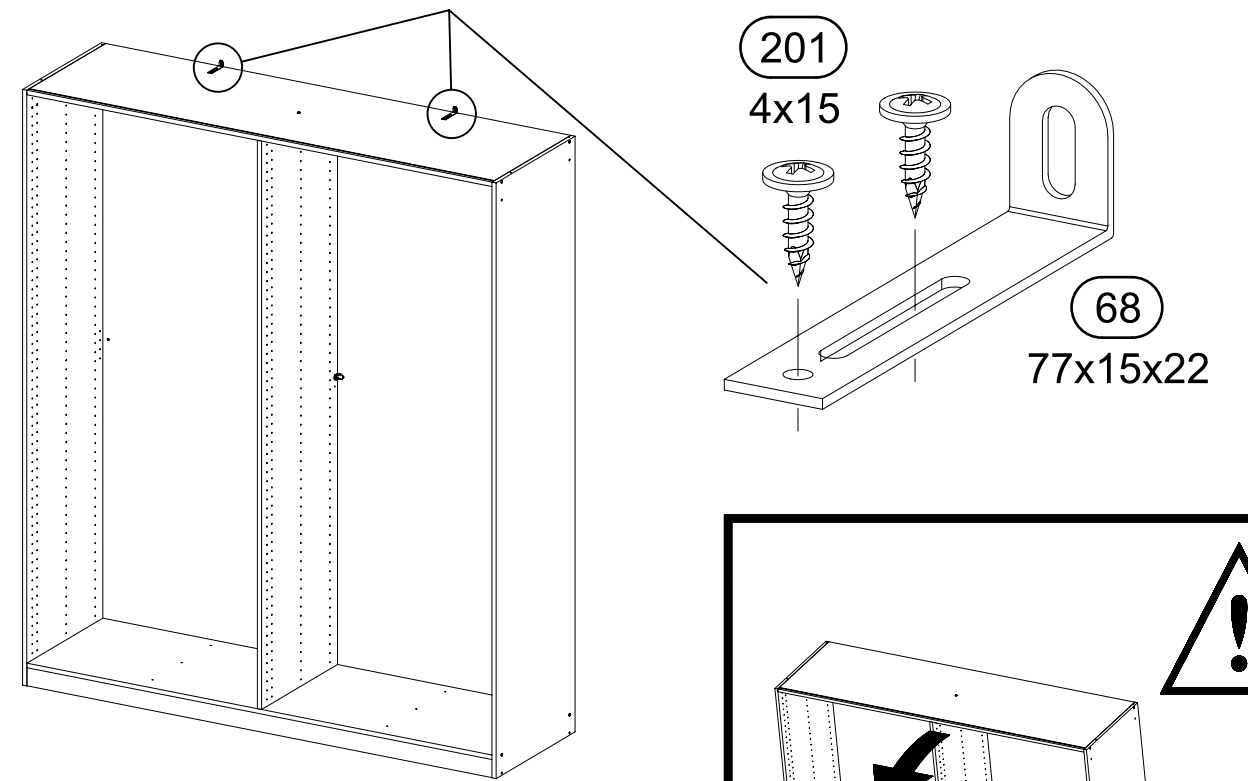


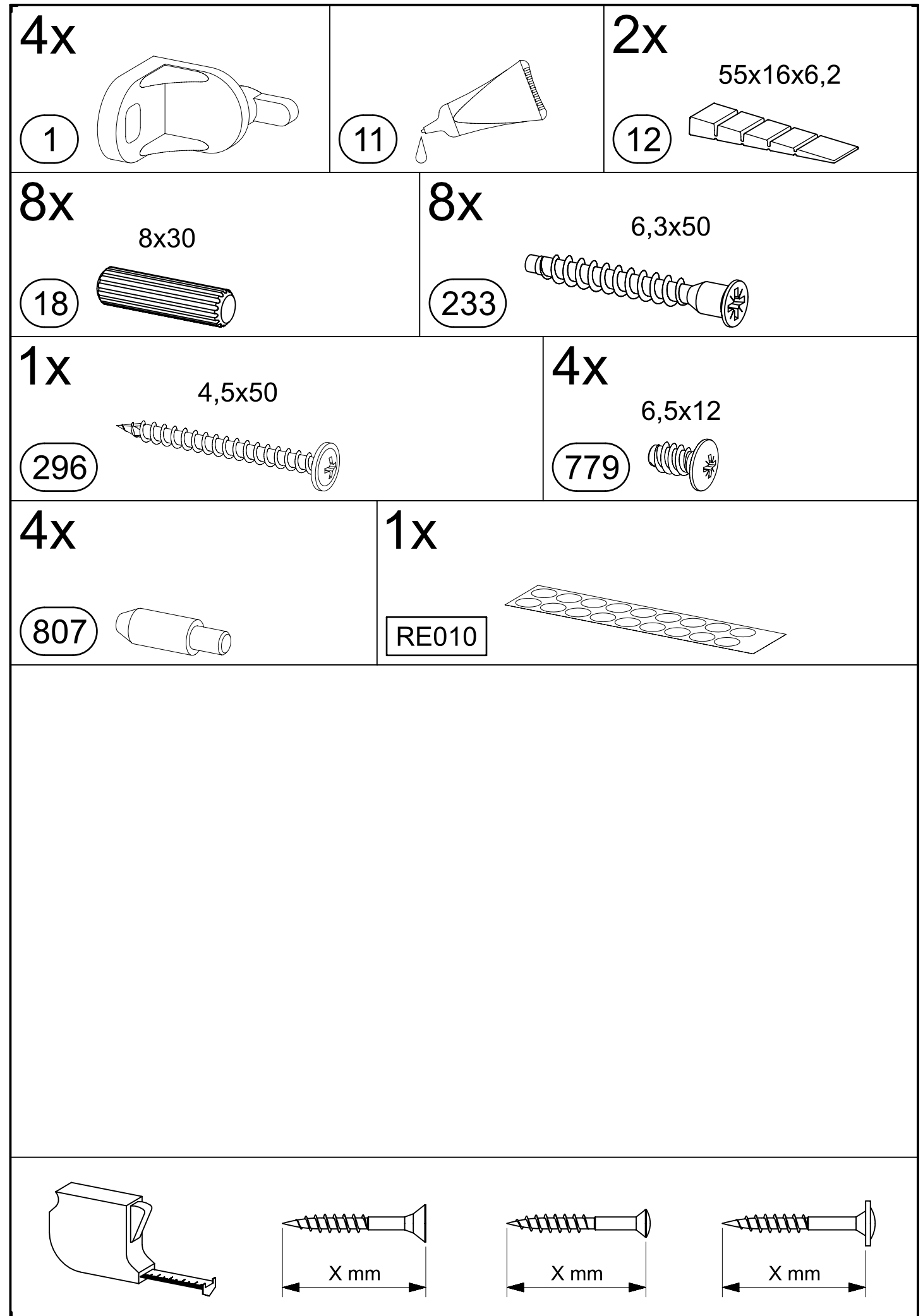
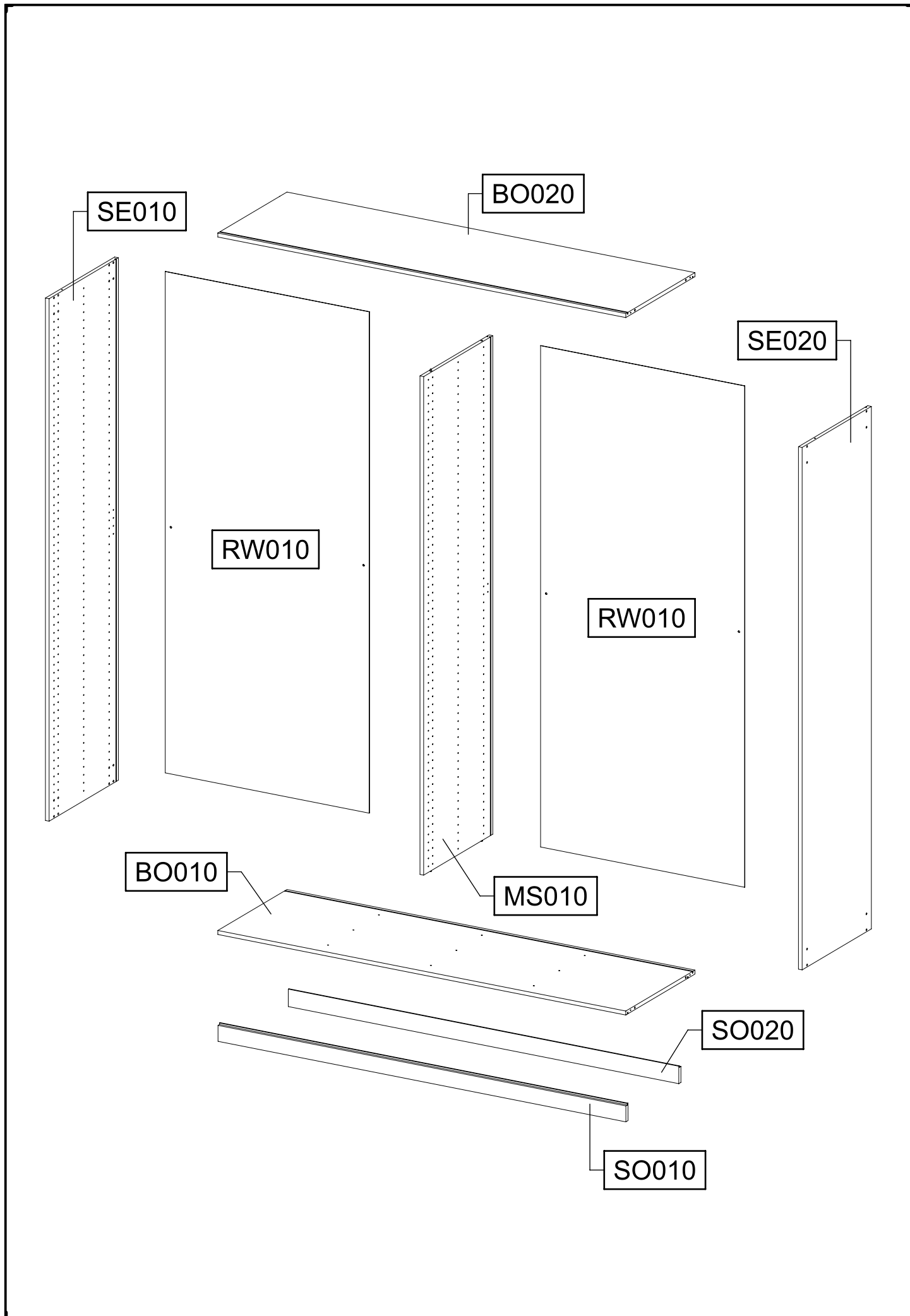
1.

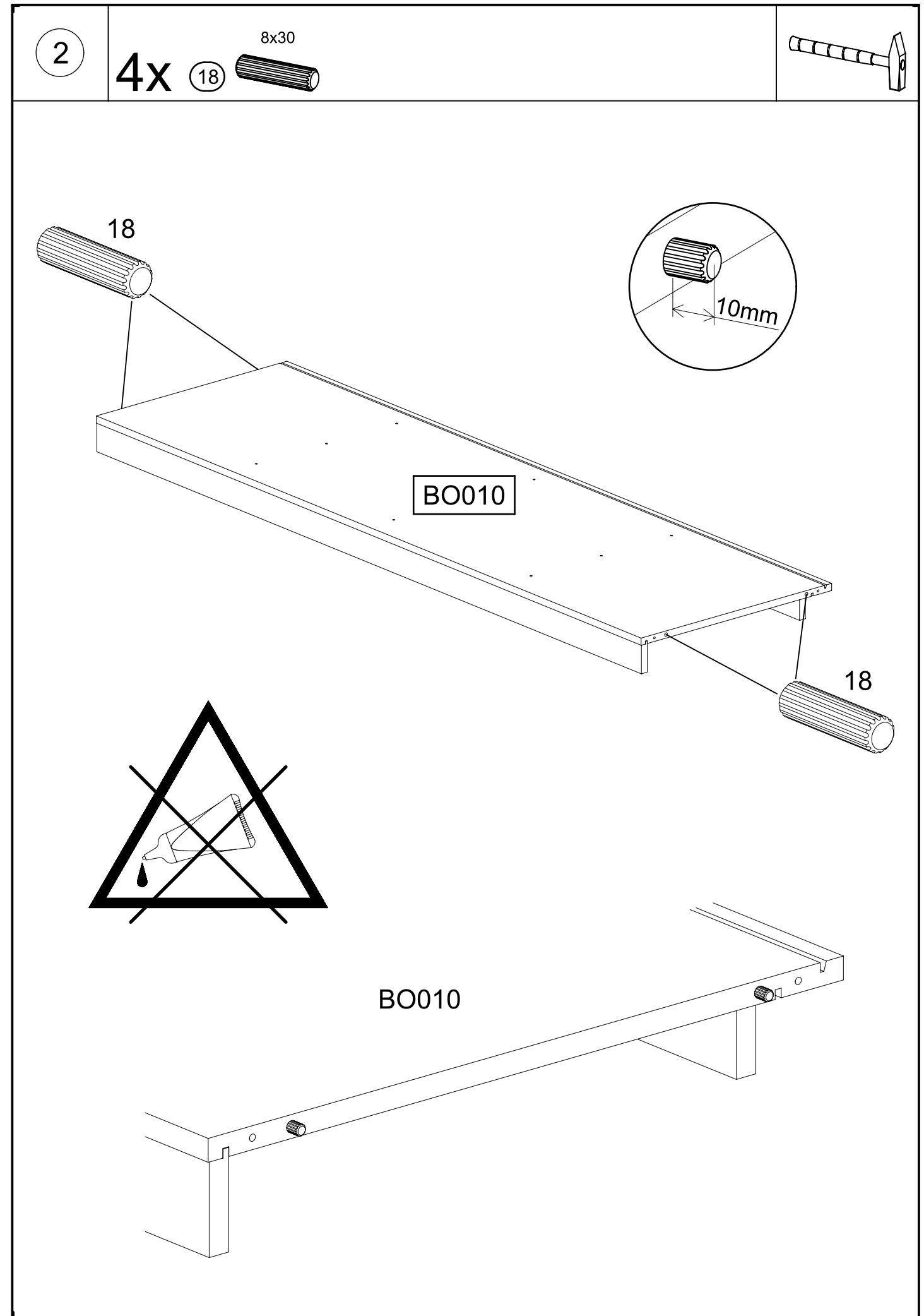
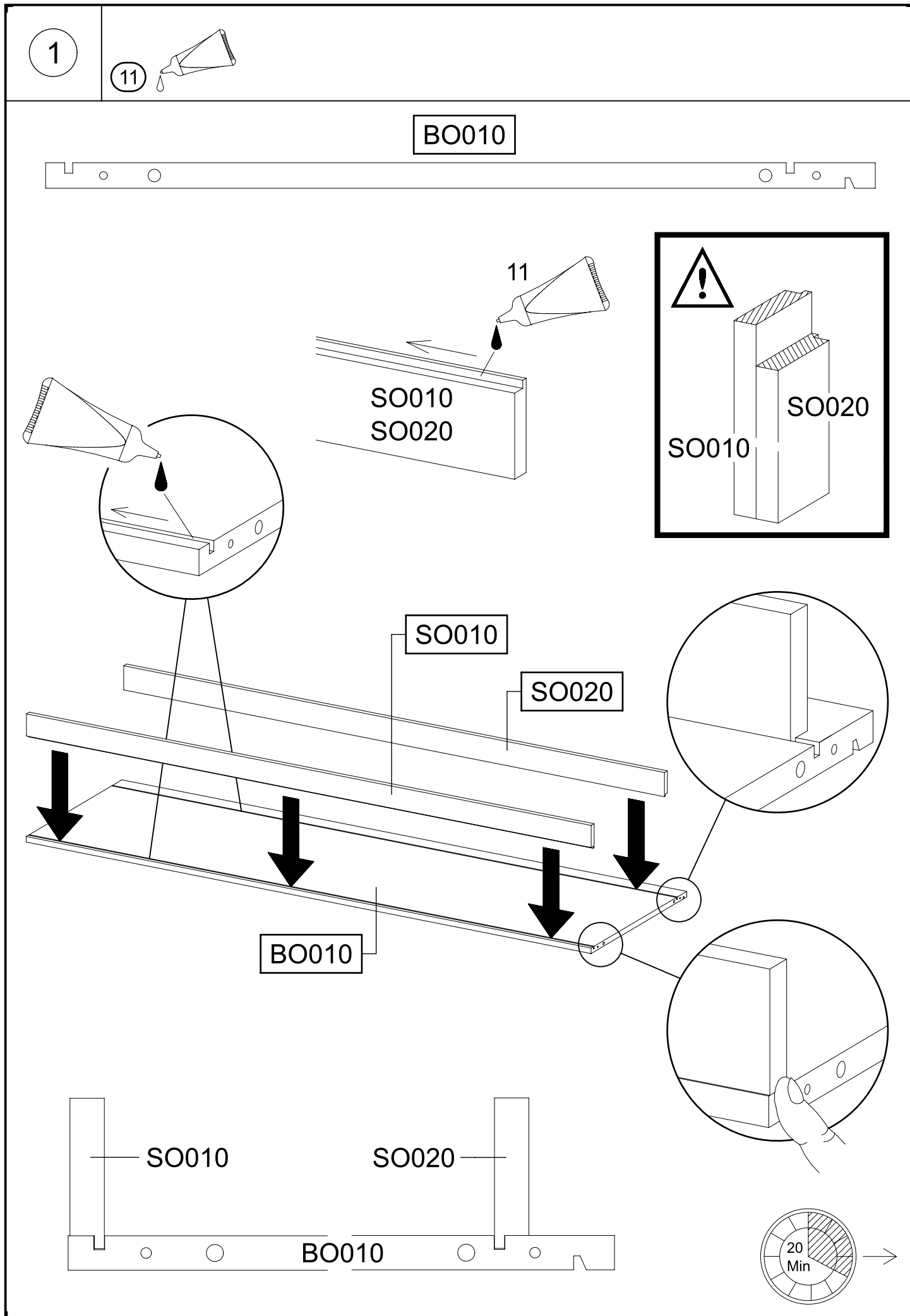
M2702_01



2.



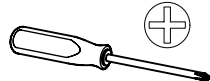




3

2x 233

6,3x50

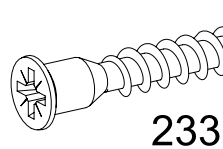


1.

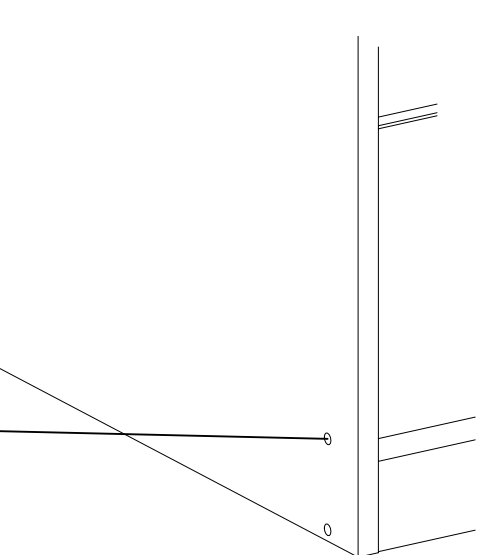
SE010

BO010

2.



233



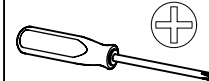
4

1x 1



1x 779

6,5x12



1.

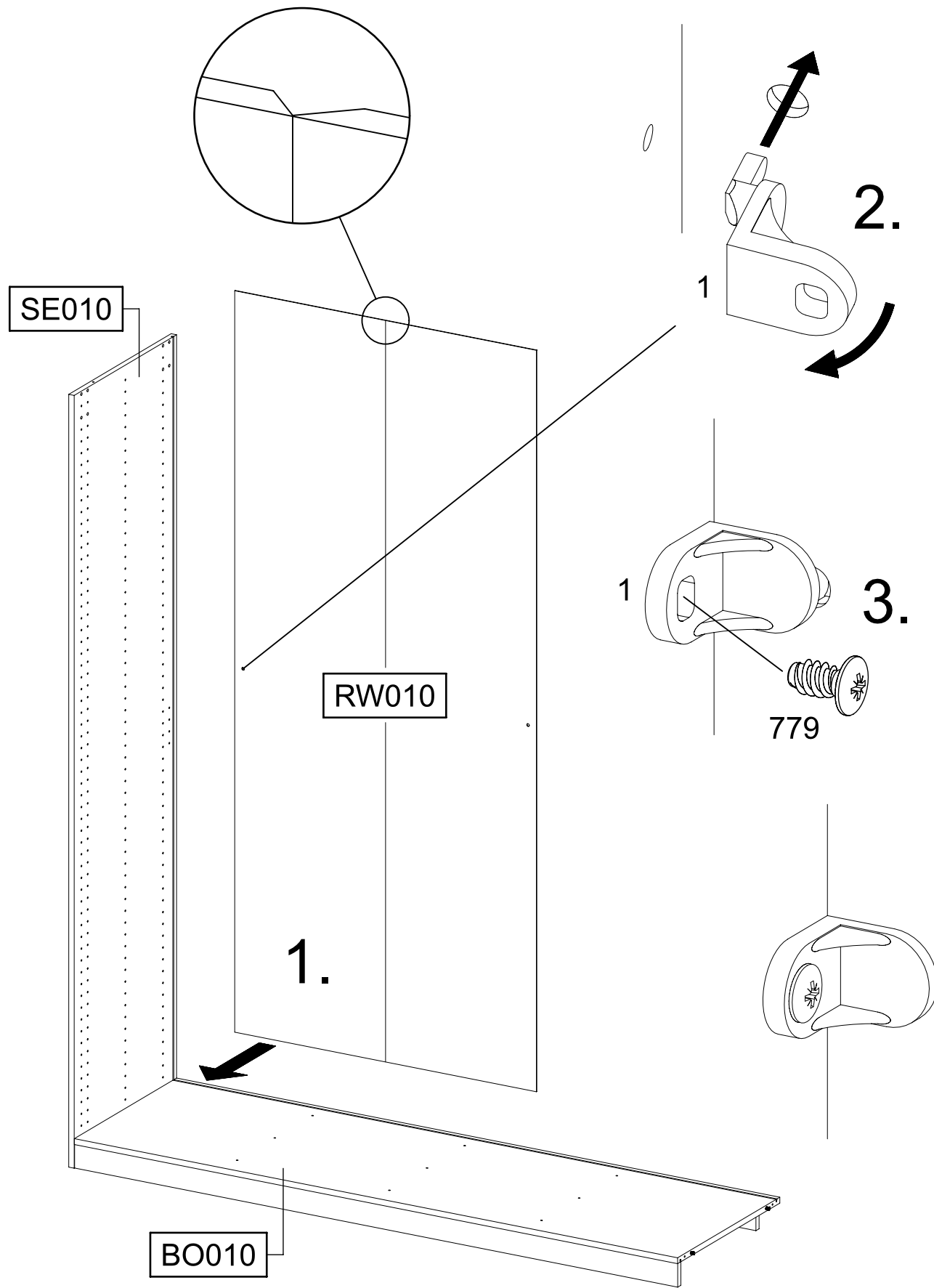
SE010

RW010

BO010

2.

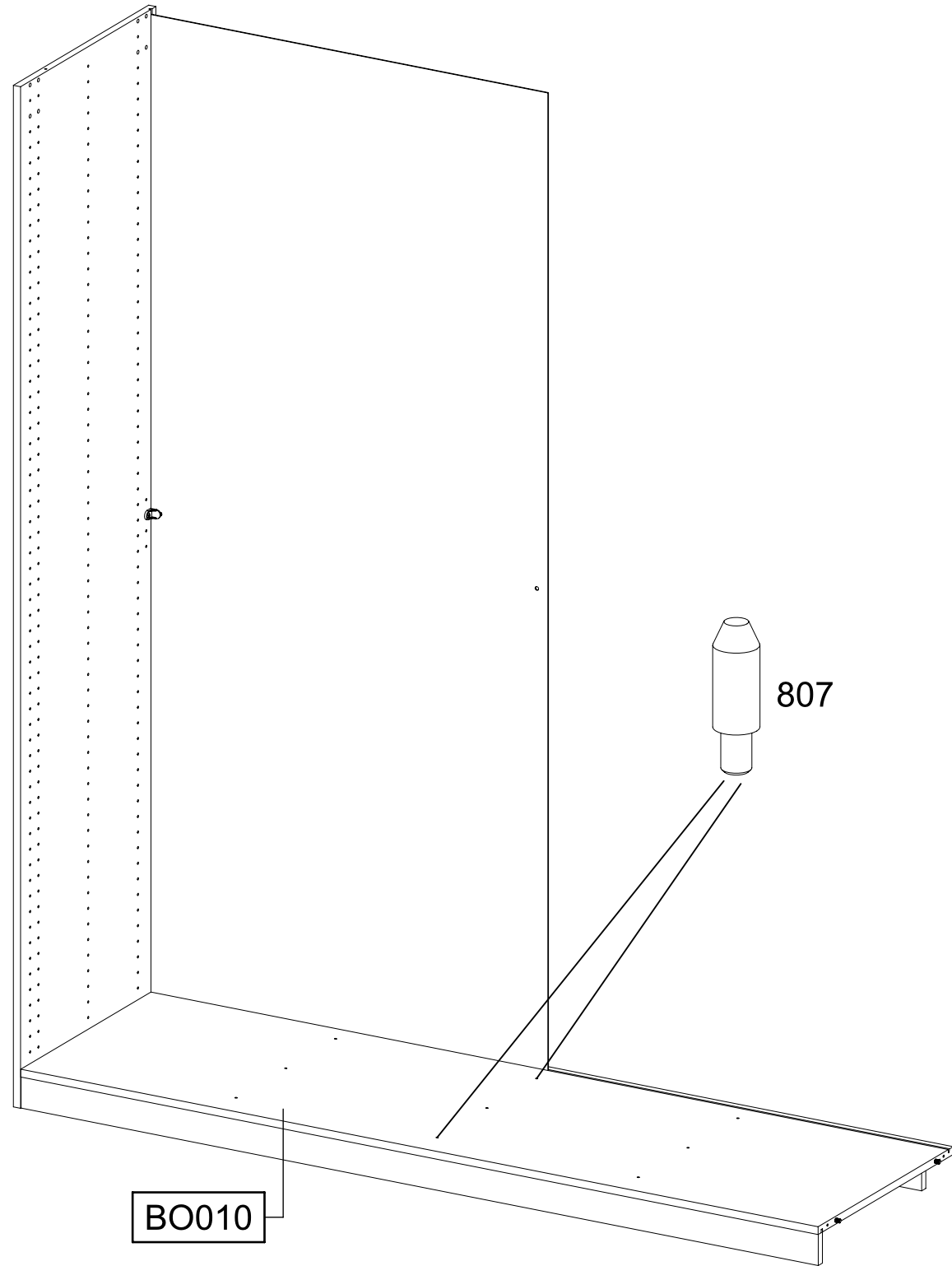
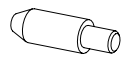
3.



5

2x

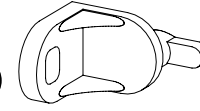
807



6

1x

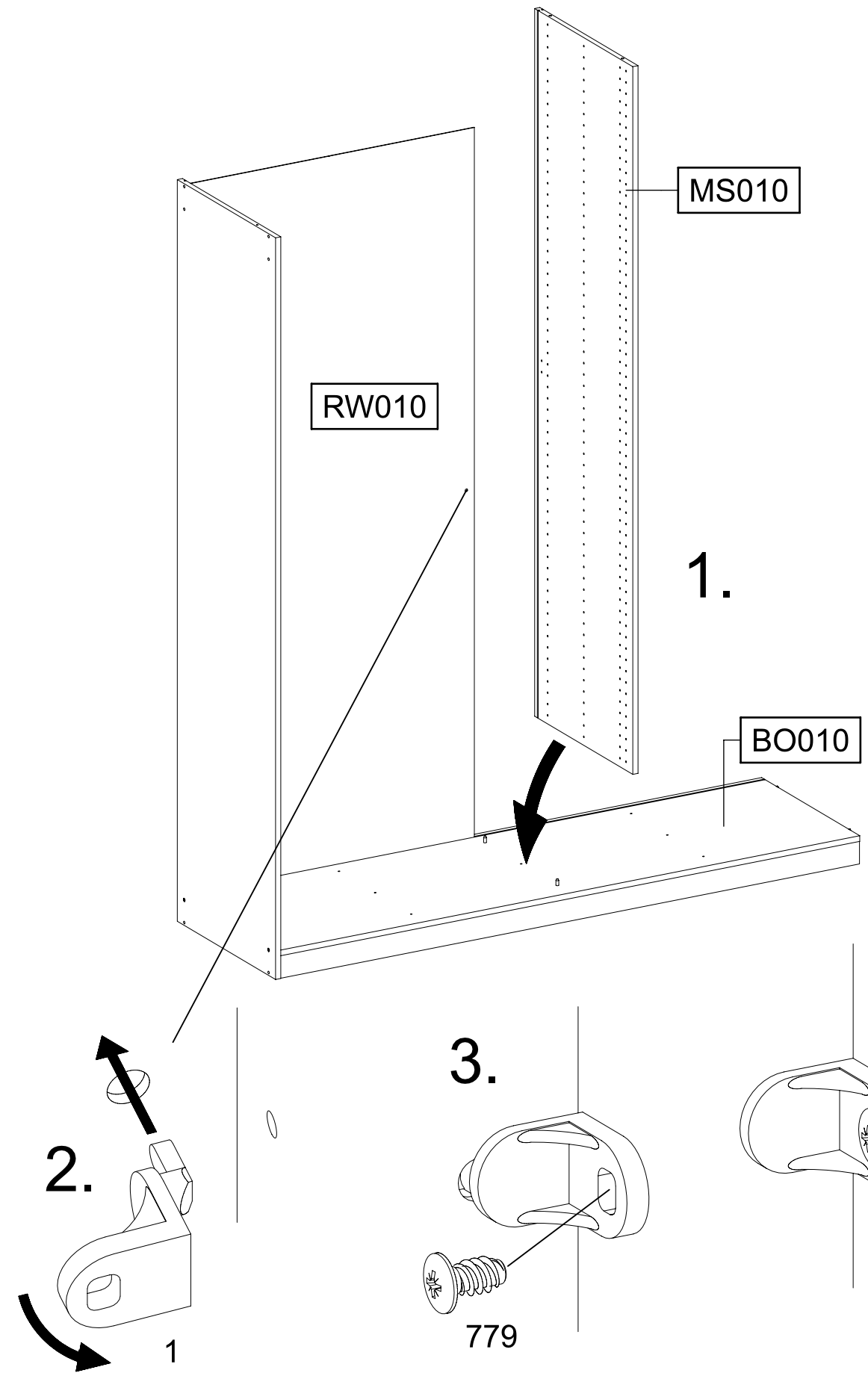
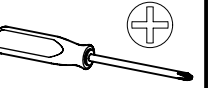
1

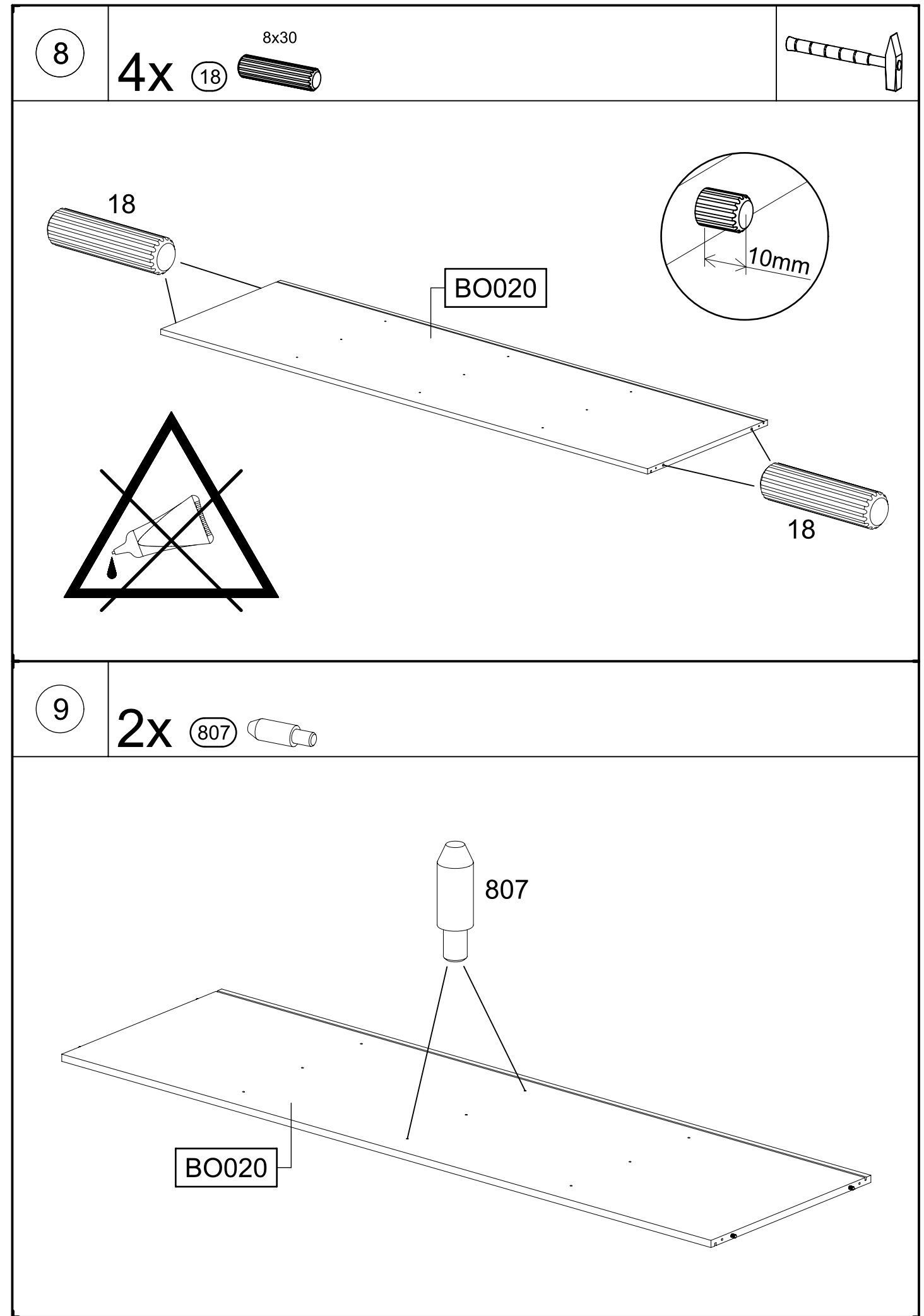
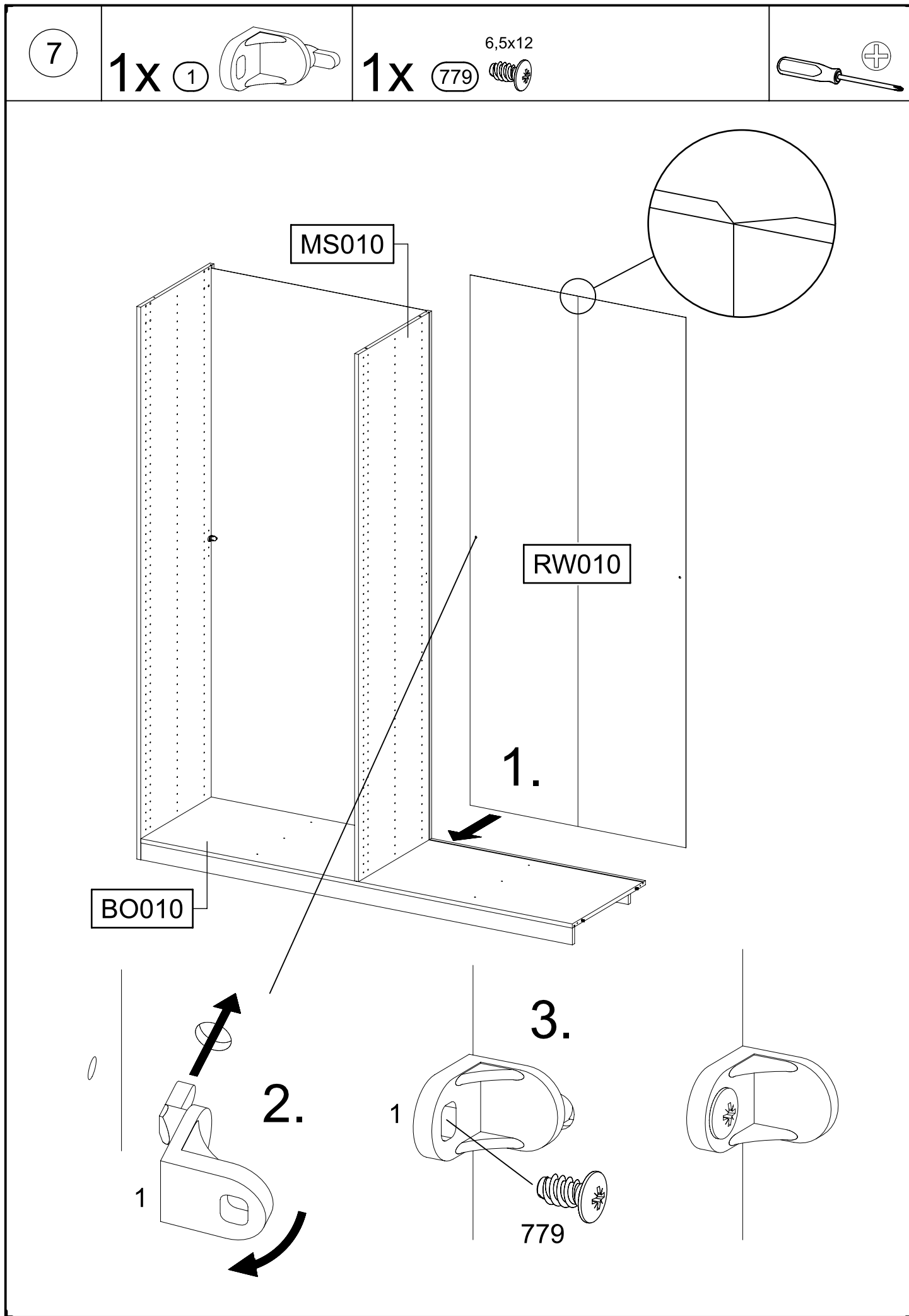


1x

779

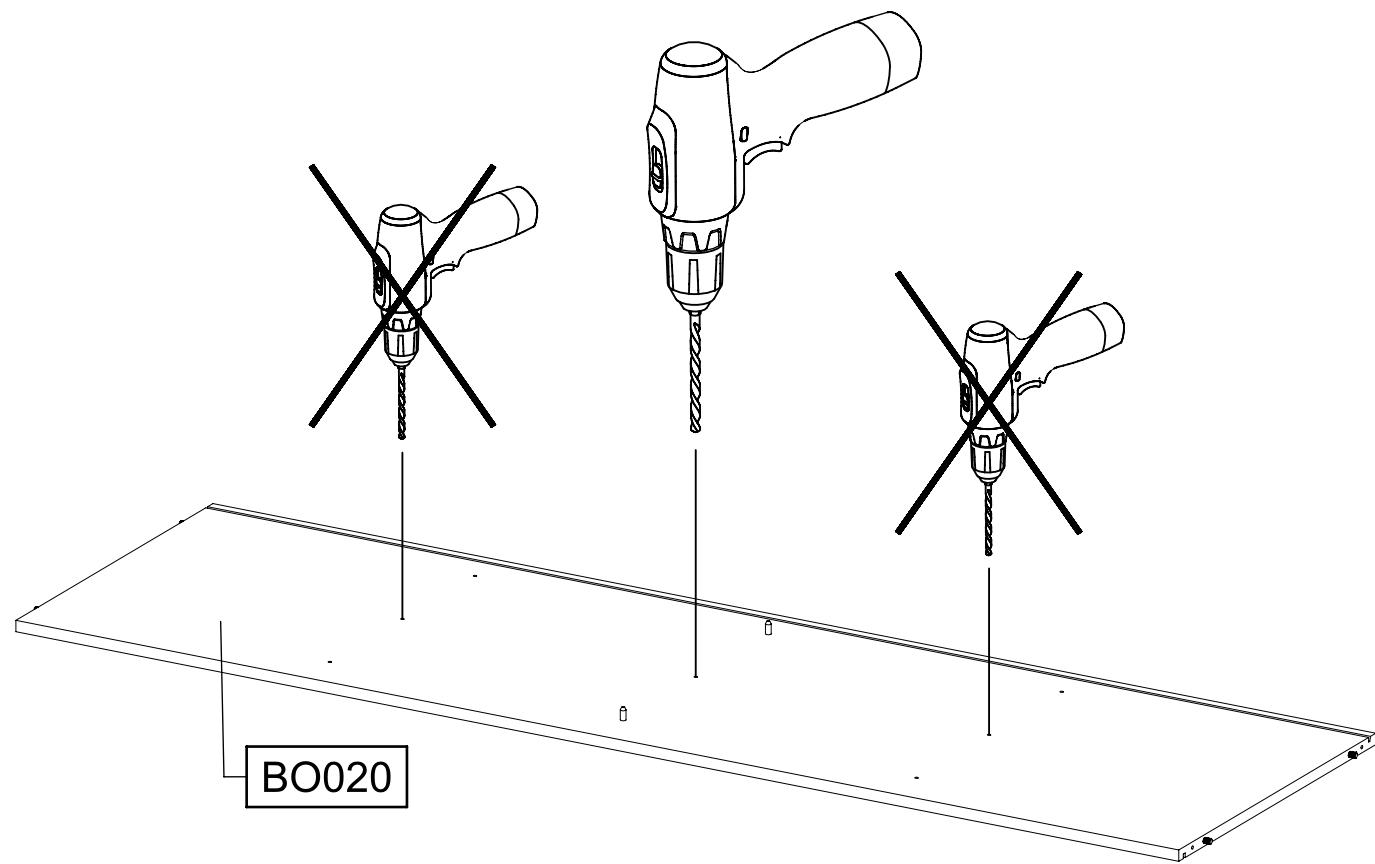
6,5x12



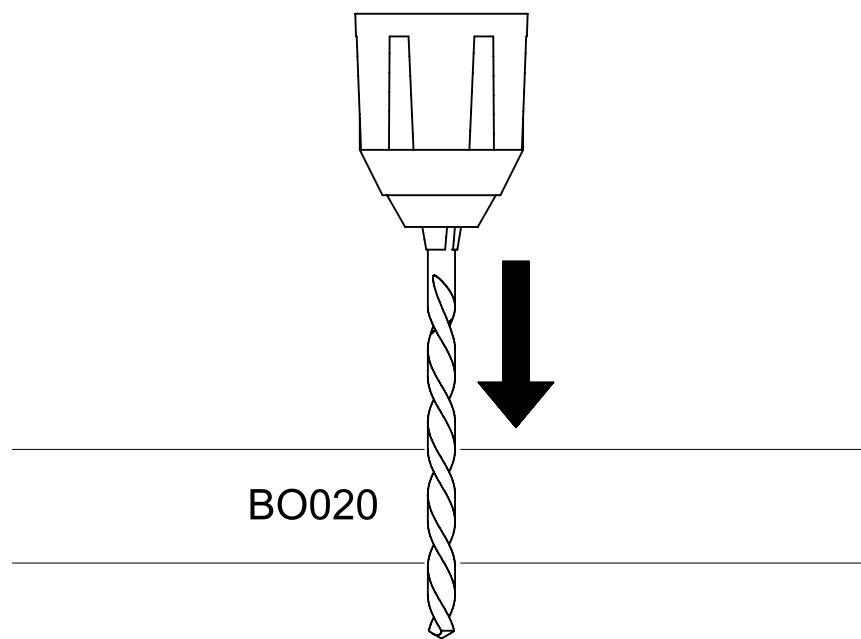


10

Ø5mm



BO020

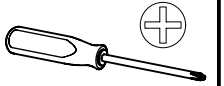


BO020

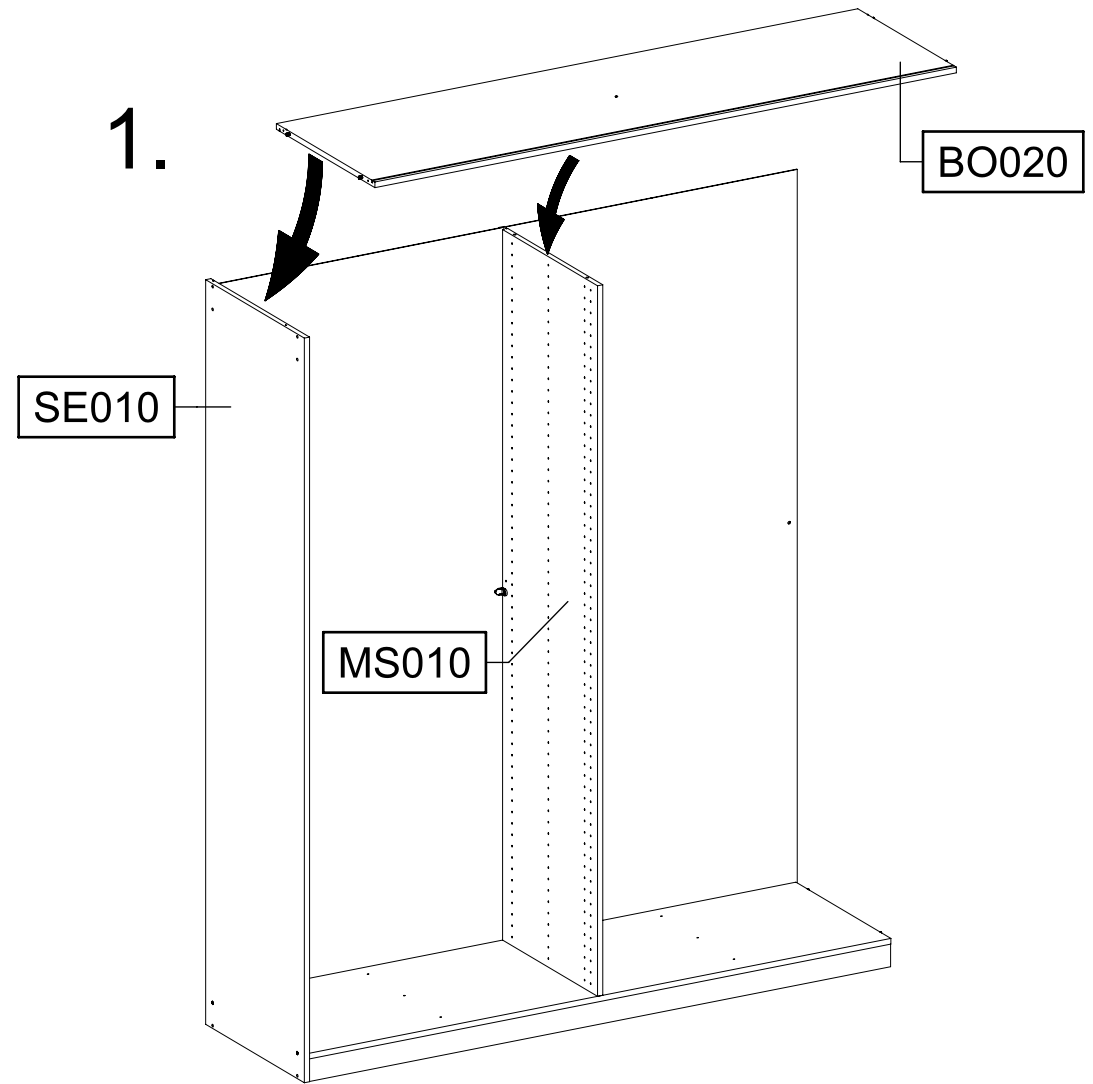
11

2x 233

6,3x50



1.

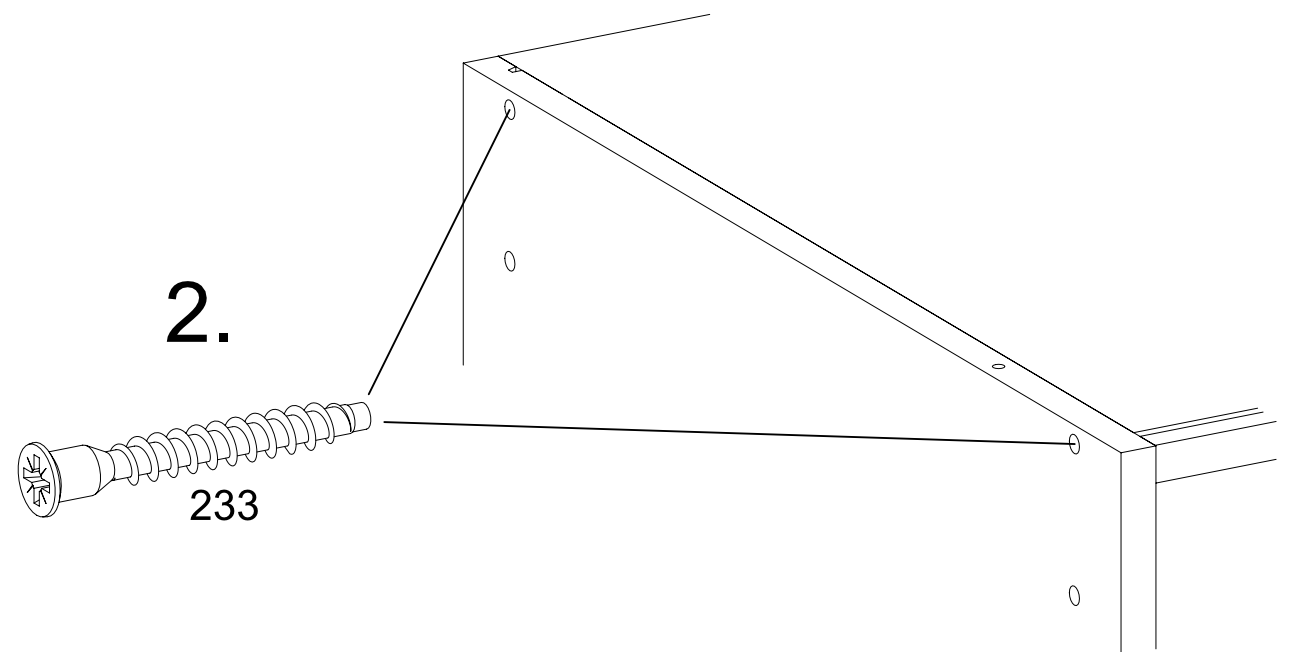


BO020

SE010

MS010

2.

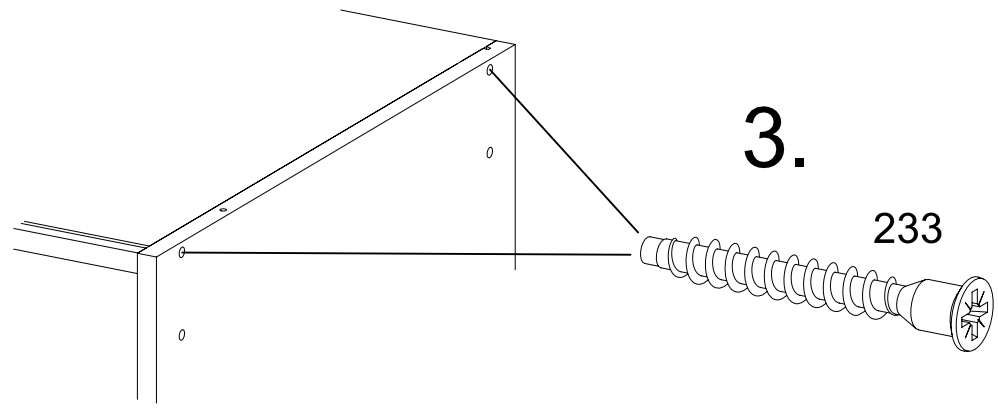
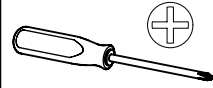


233

12

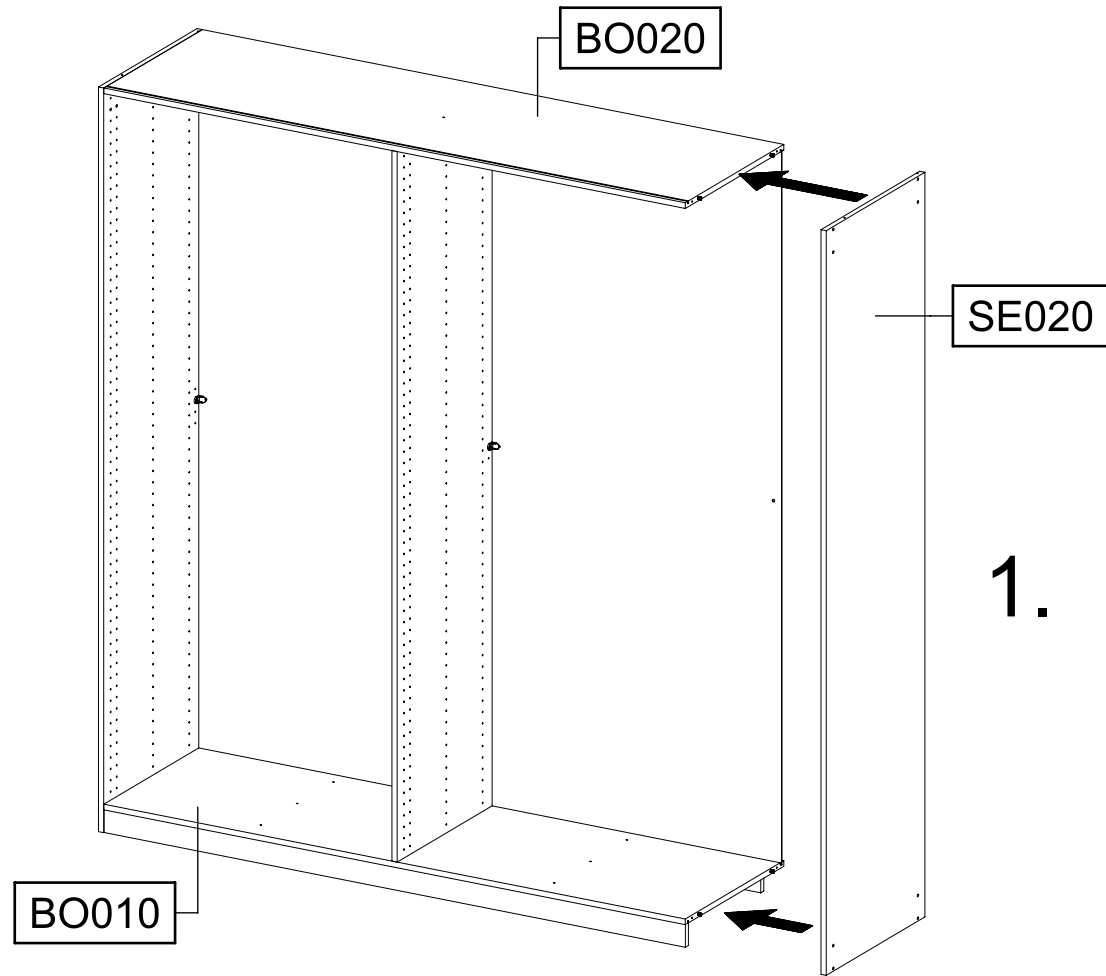
4x 233

6,3x50



3.

233

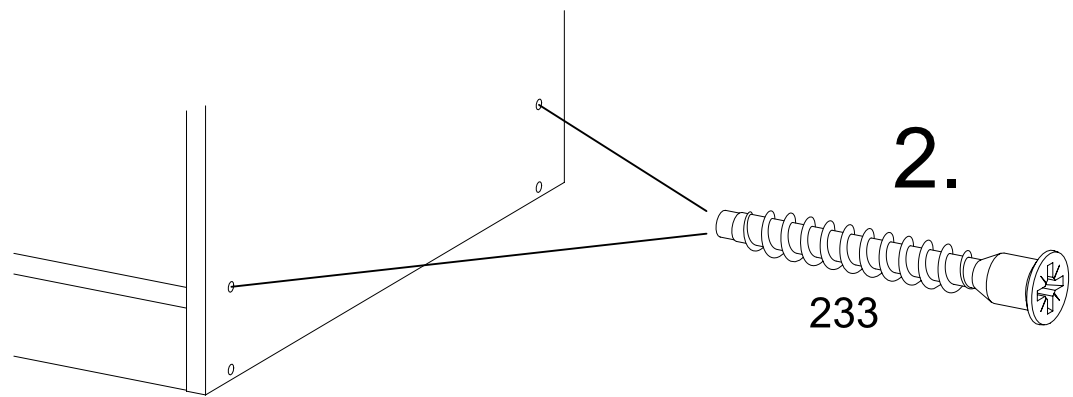


BO020

SE020

1.

BO010

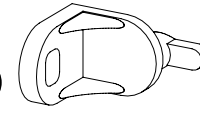


2.

233

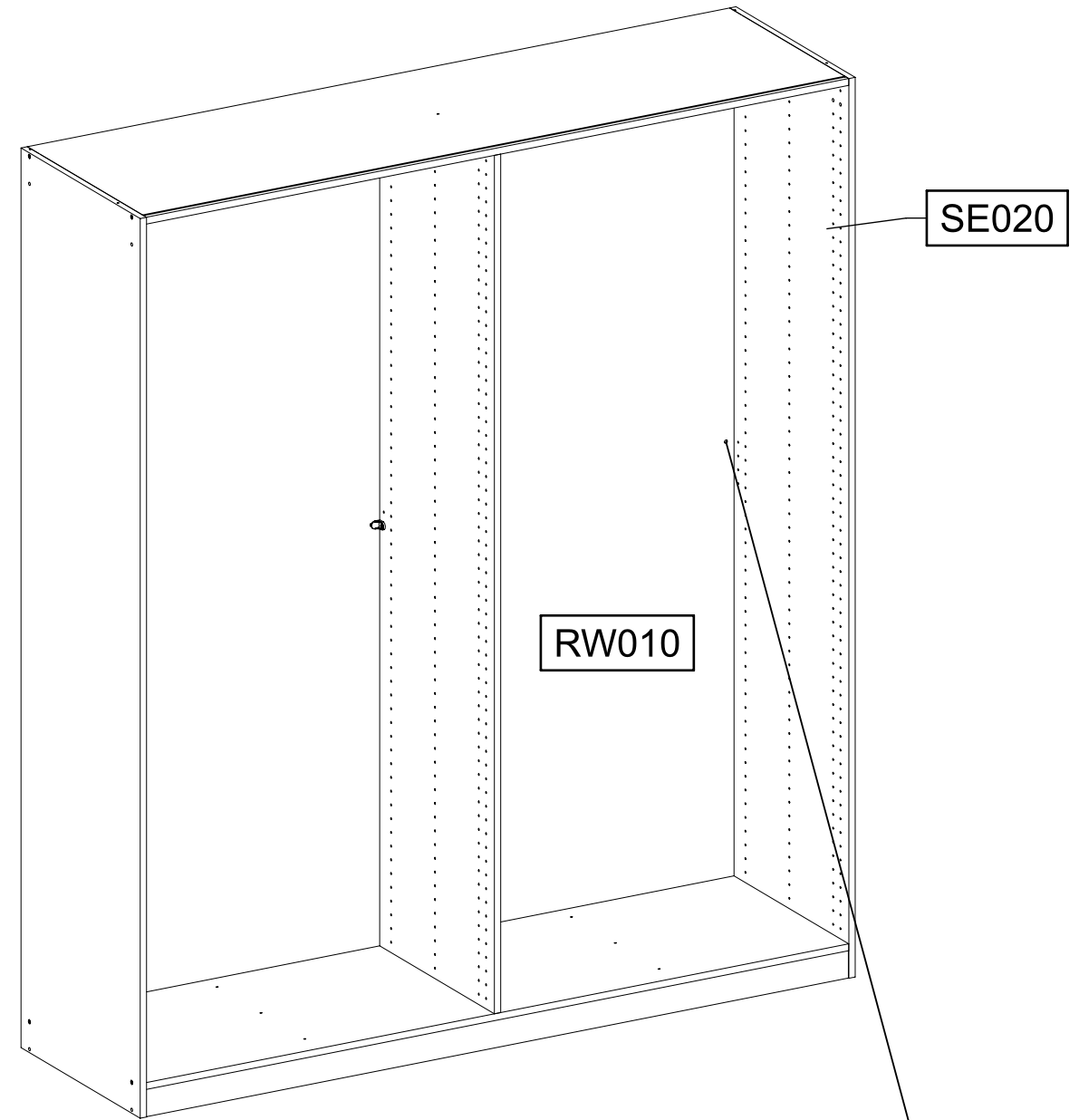
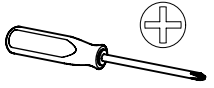
13

1x 1



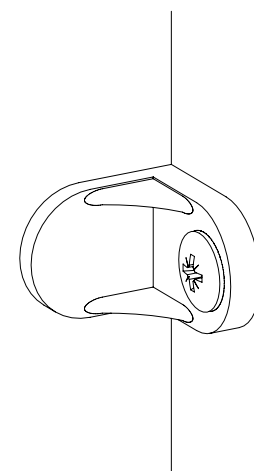
1x 779

6,5x12

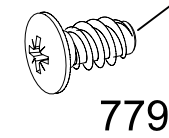


SE020

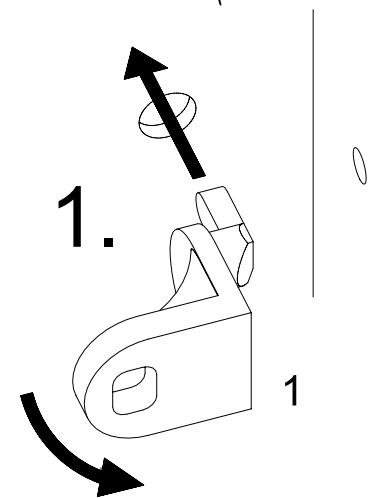
RW010



2.



779



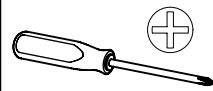
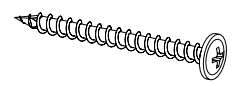
1.

1

14

1x (296)

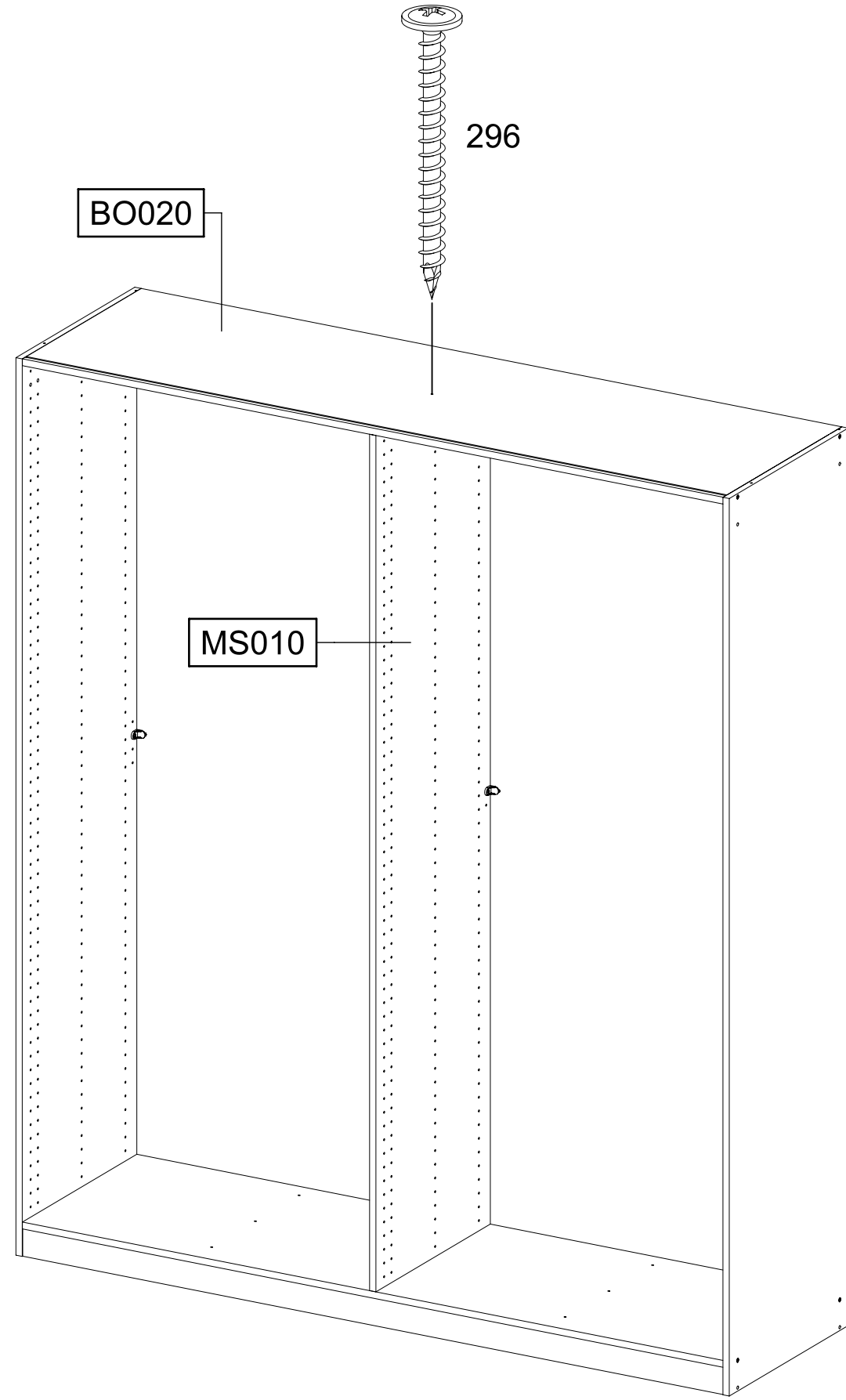
4,5x50



296

BO020

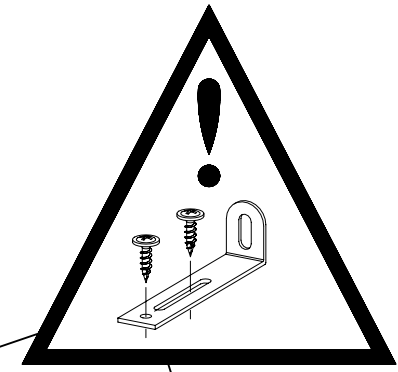
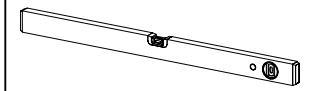
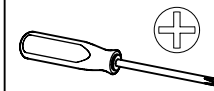
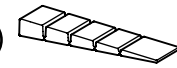
MS010



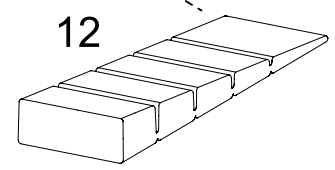
15

2x (12)

55x16x6,2

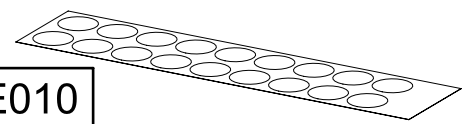


12

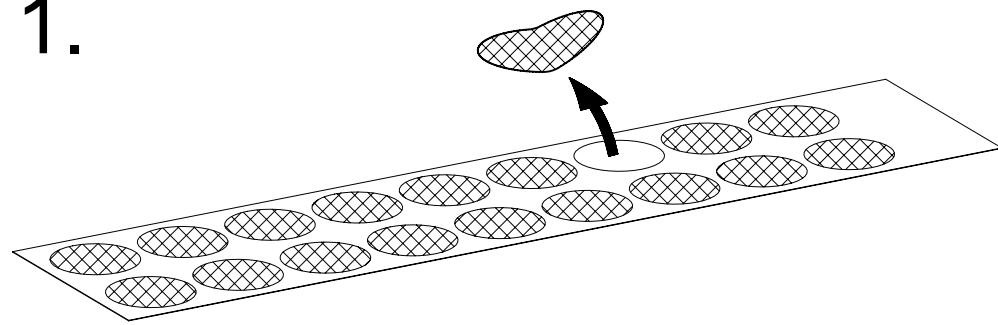


16

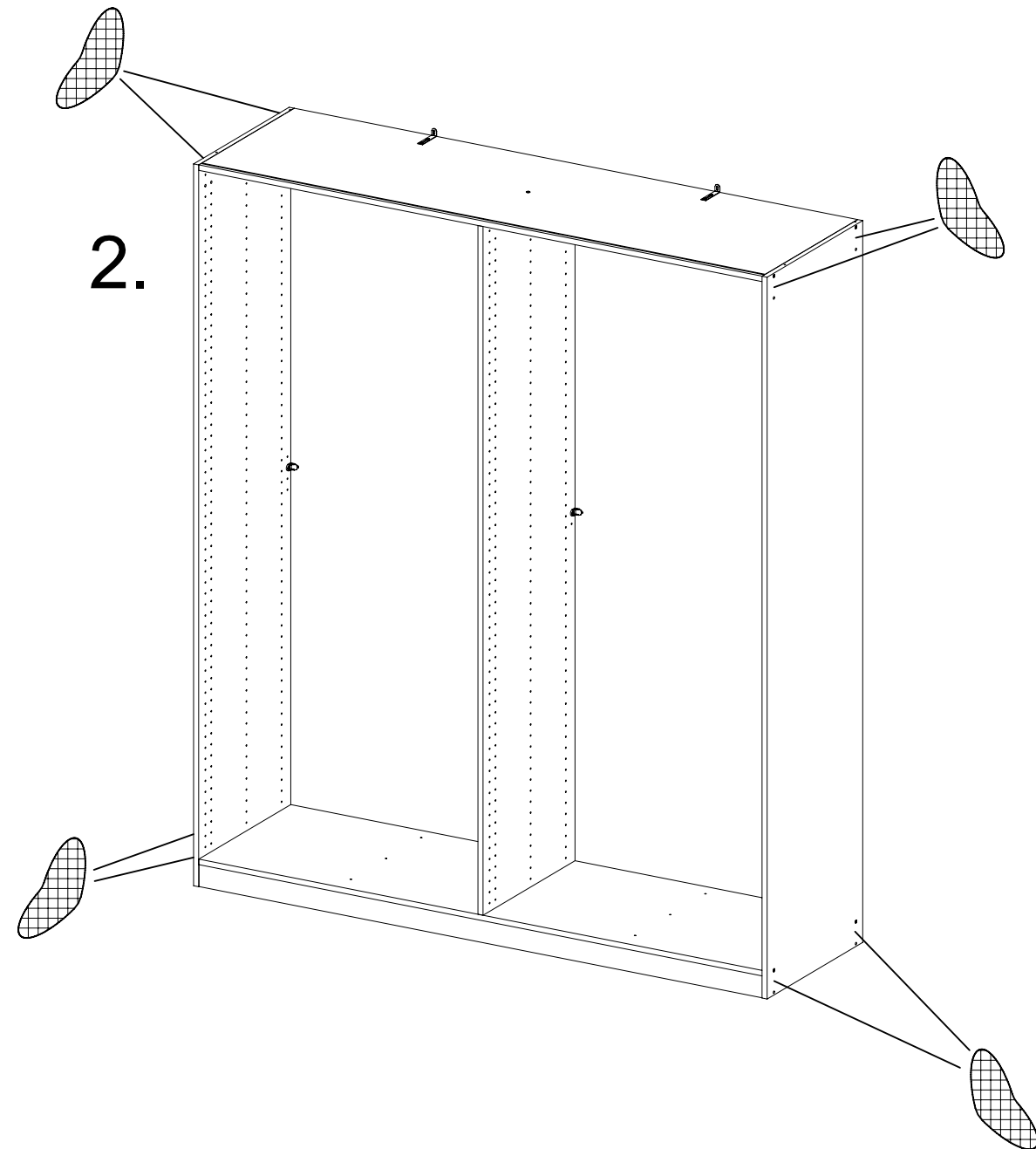
1x RE010



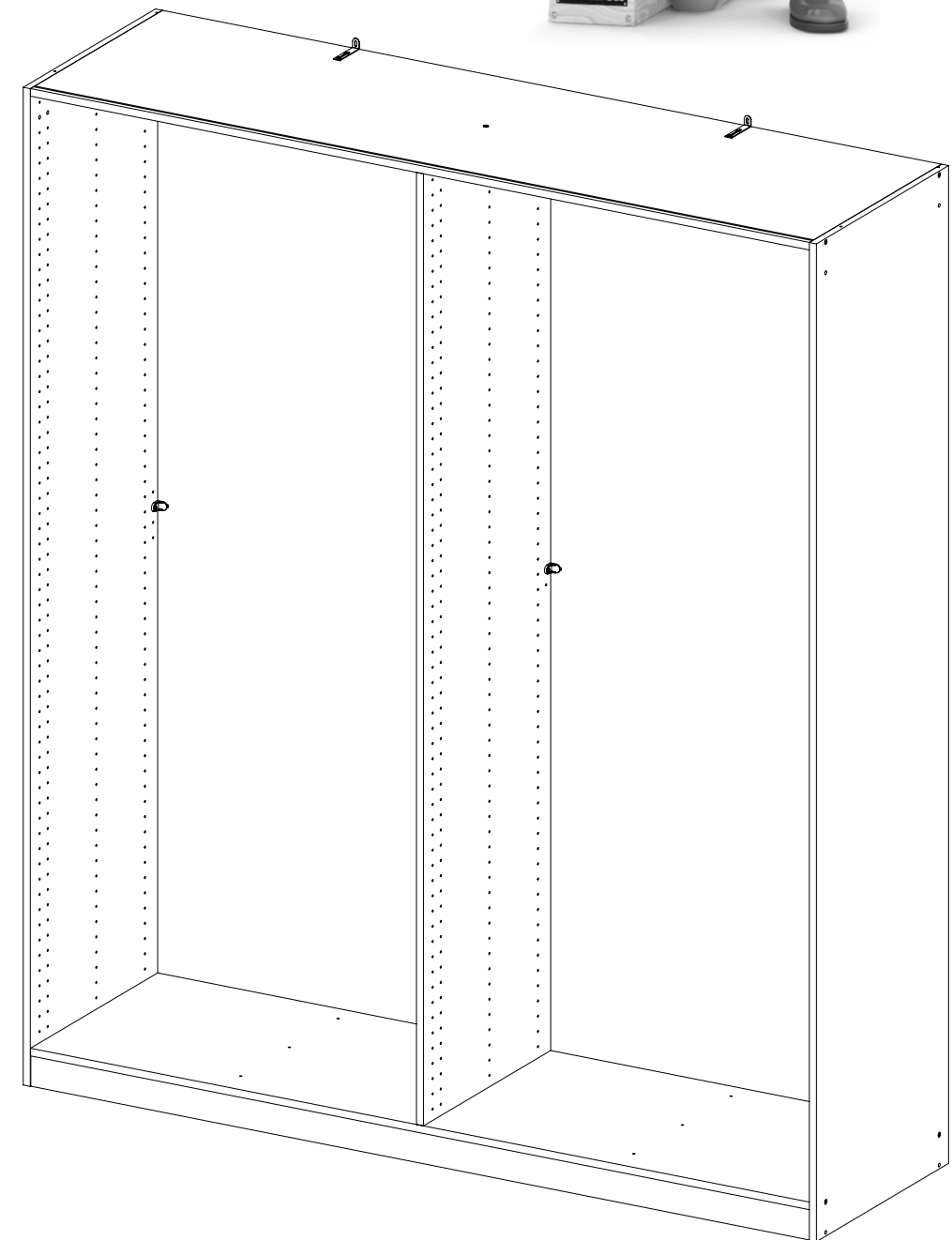
1.



2.

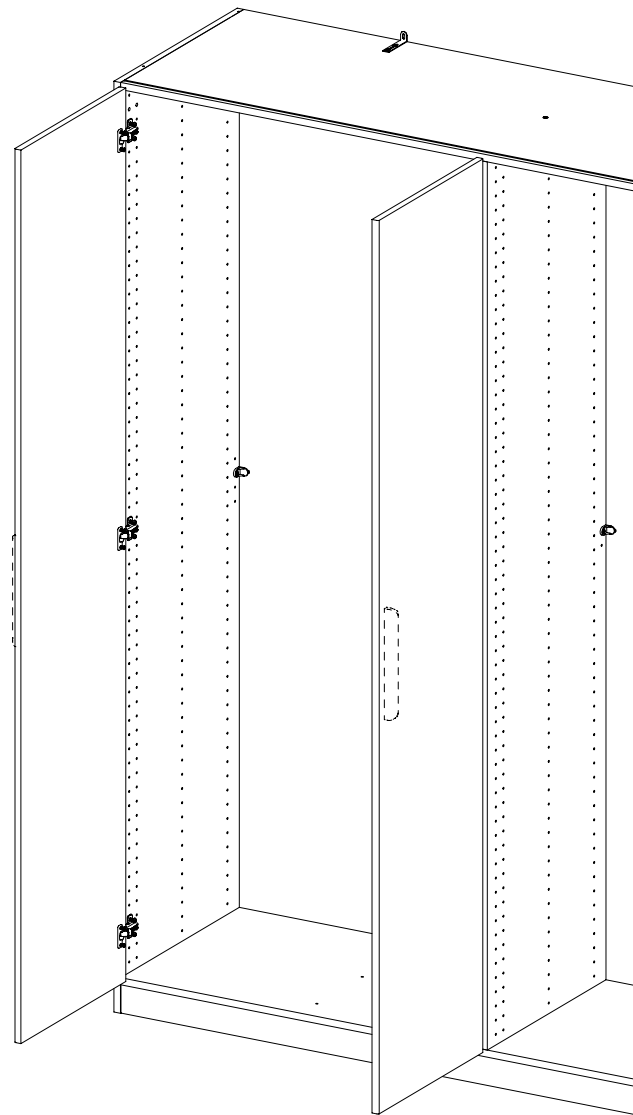
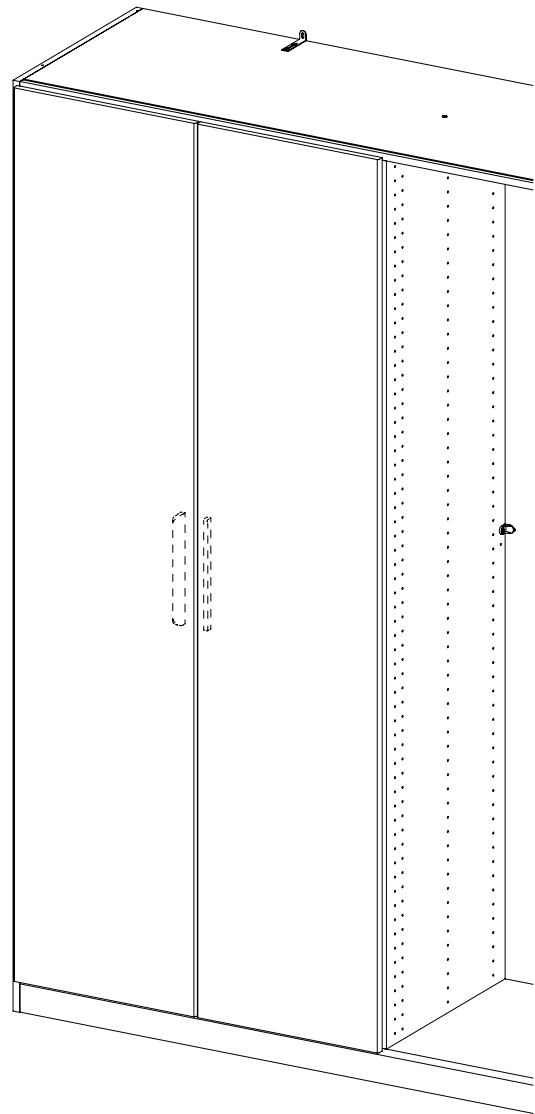
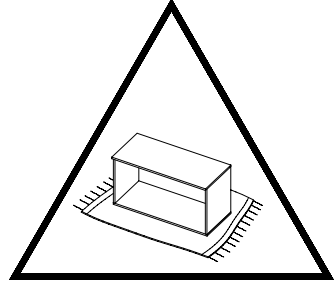
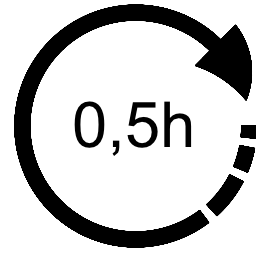
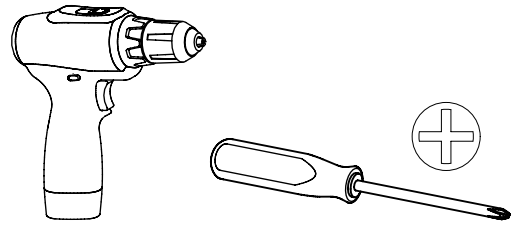


17



1.

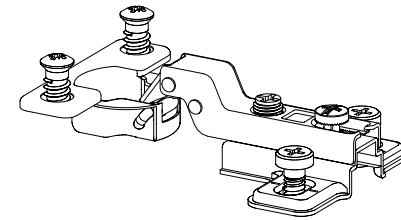
M9942_01



2.

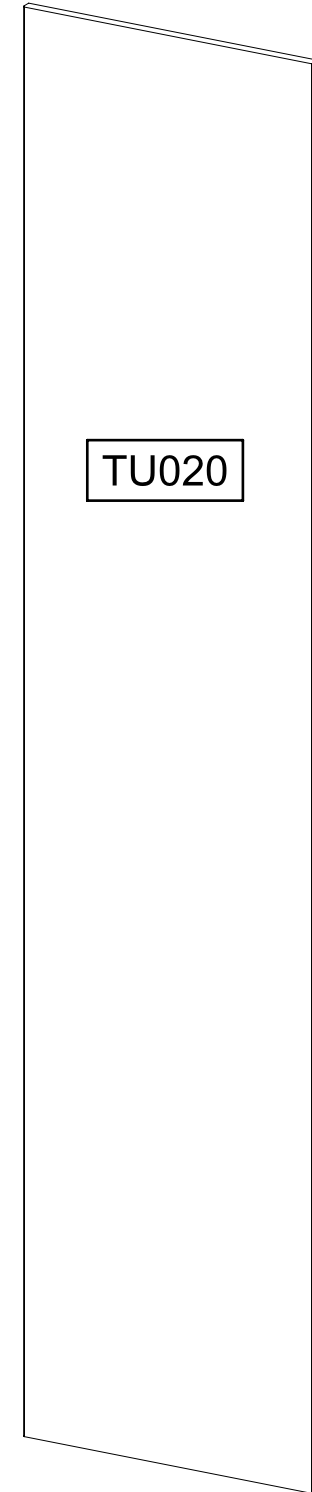
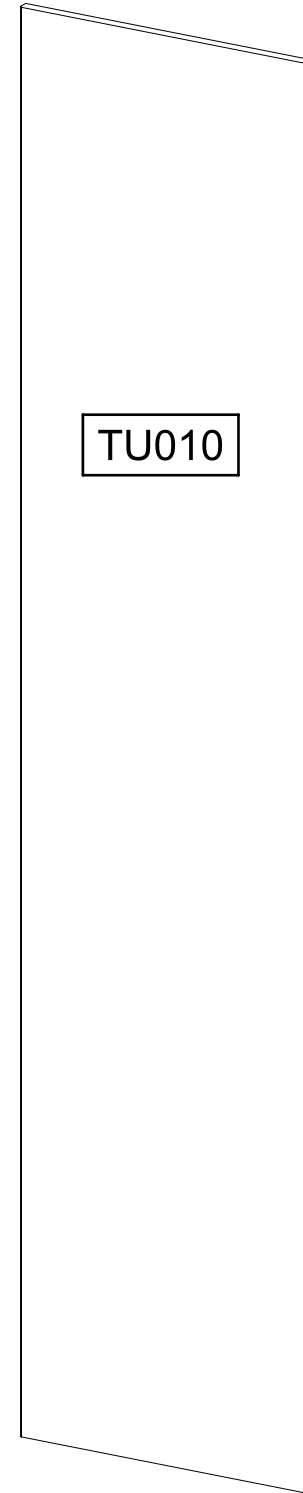
6x

116



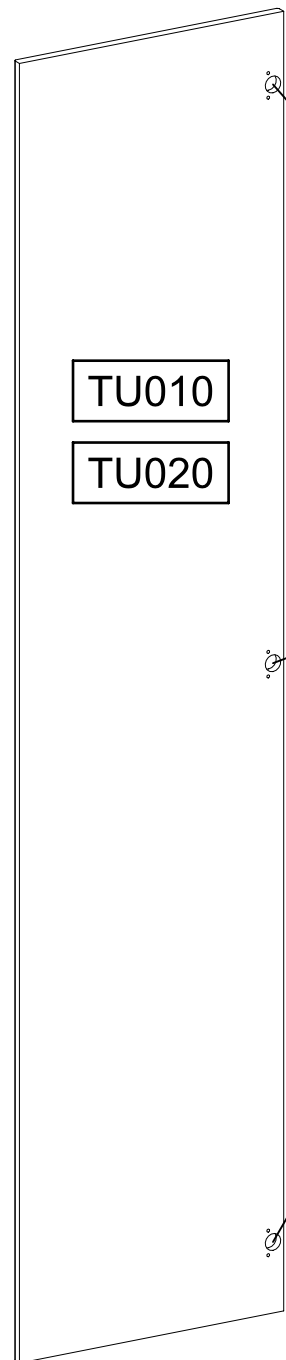
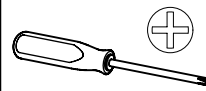
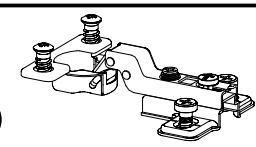
TU010

TU020



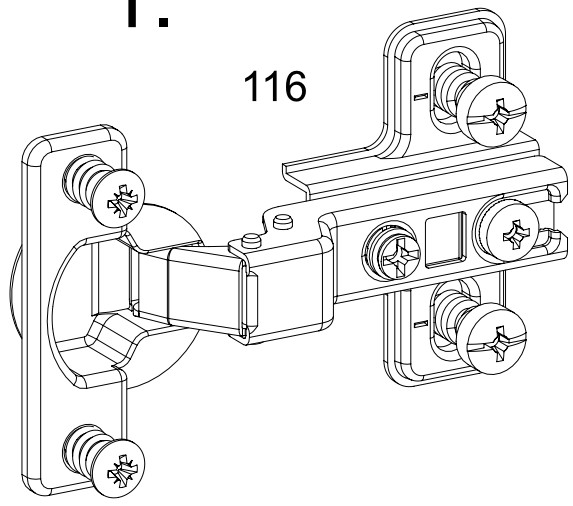
1

6x 116

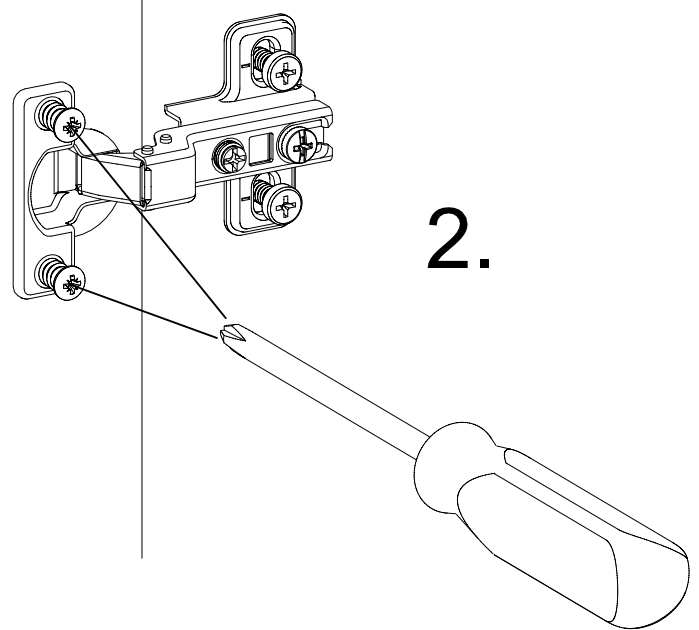


1.

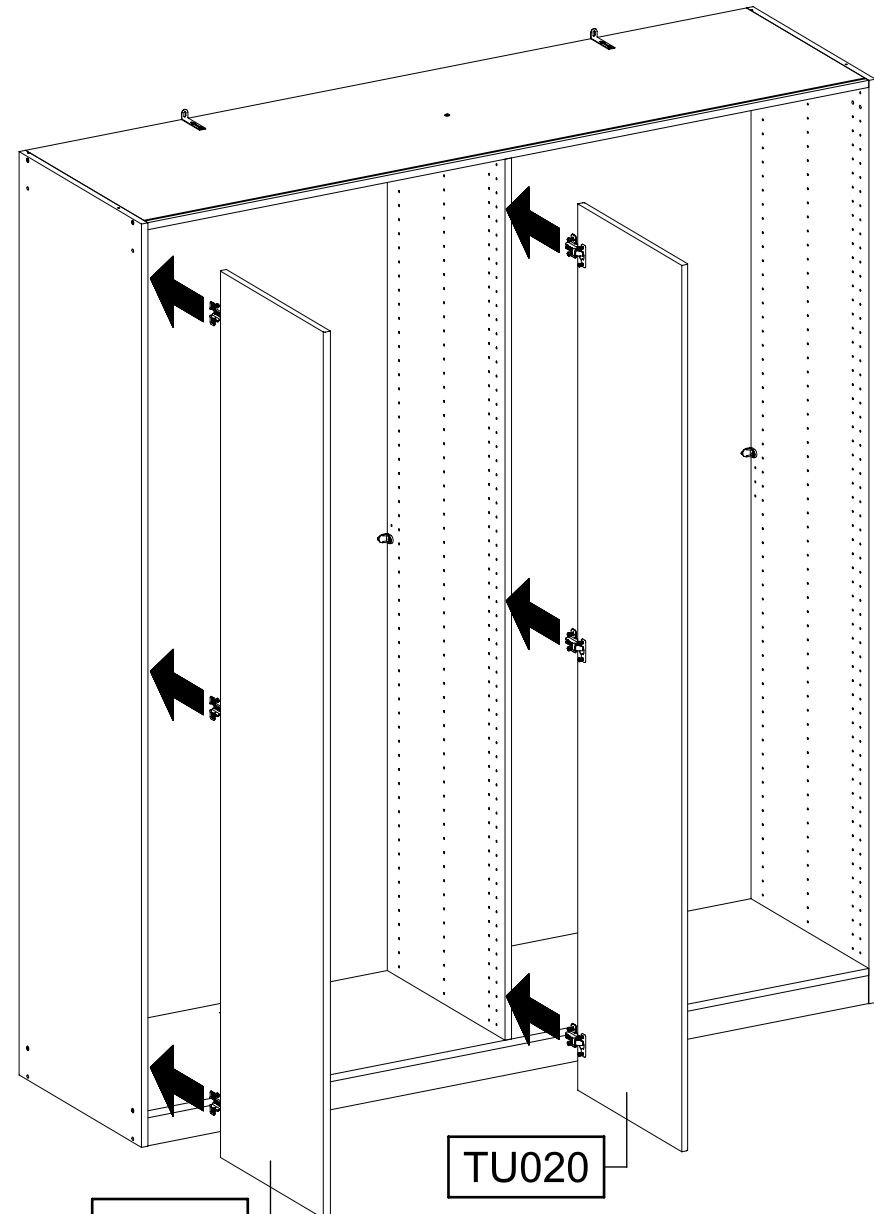
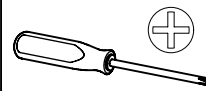
116



2.

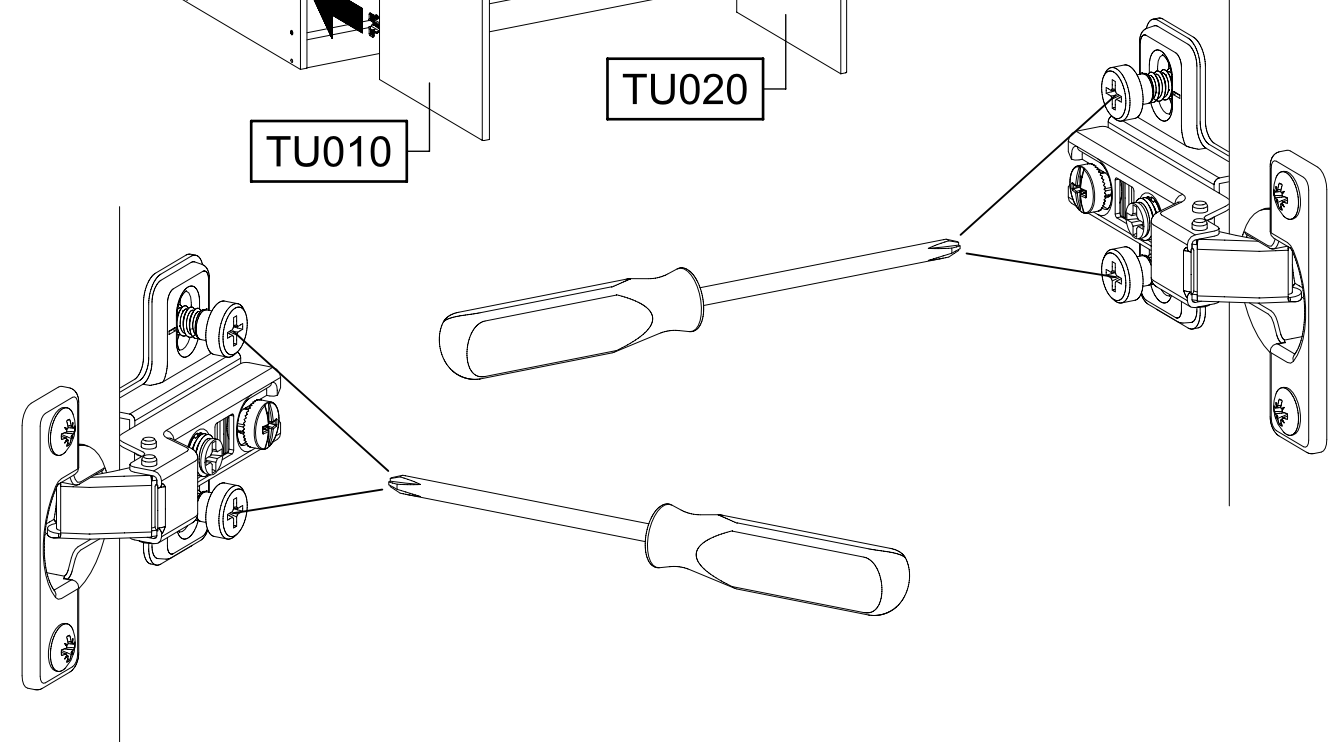


2

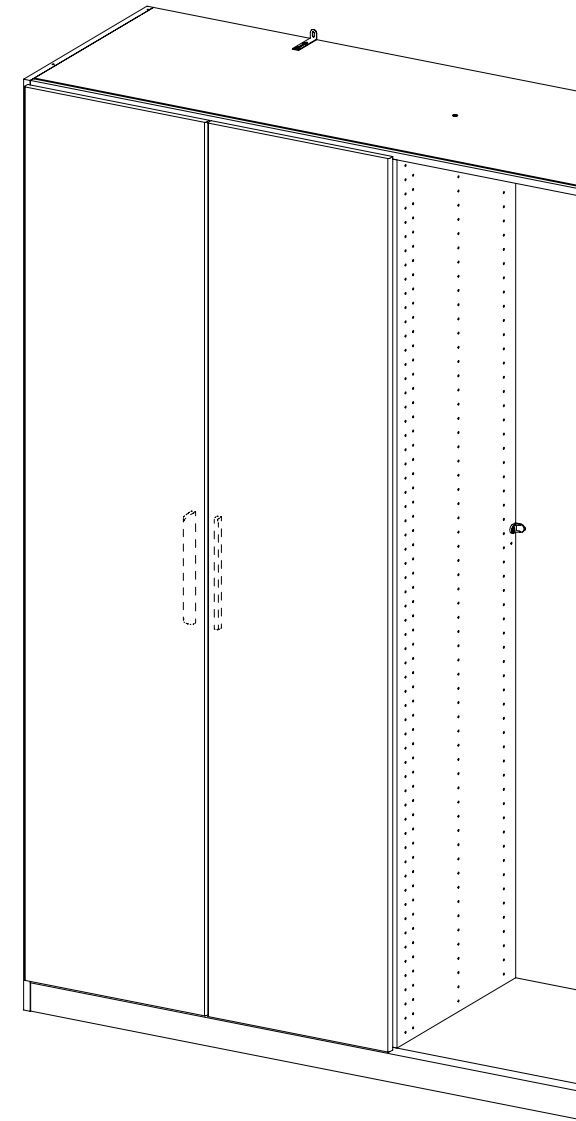
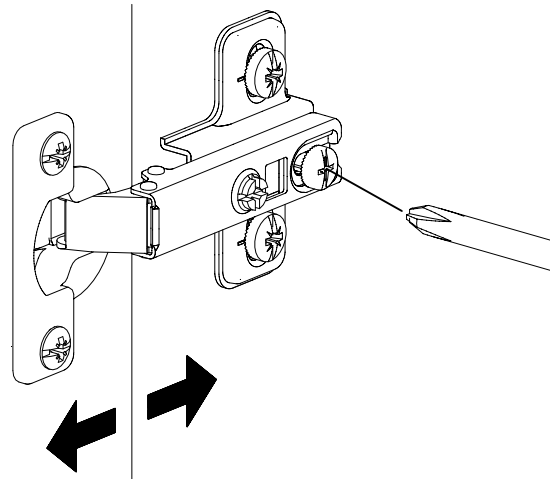
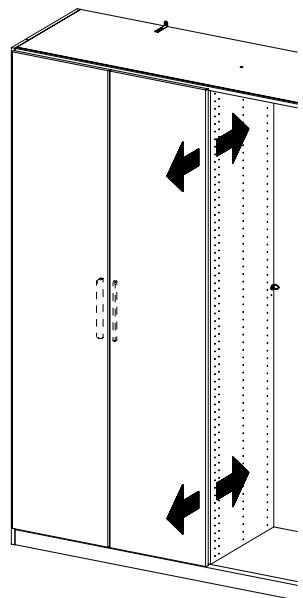
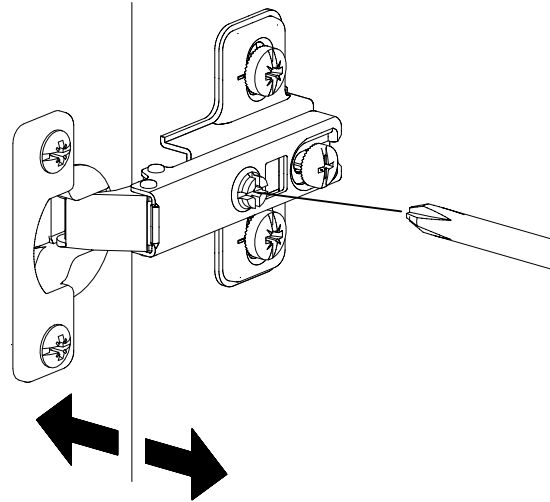
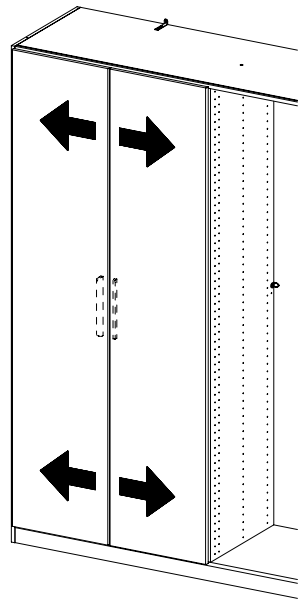
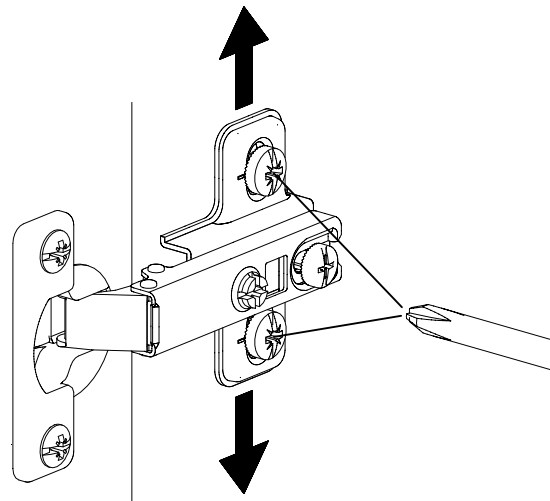
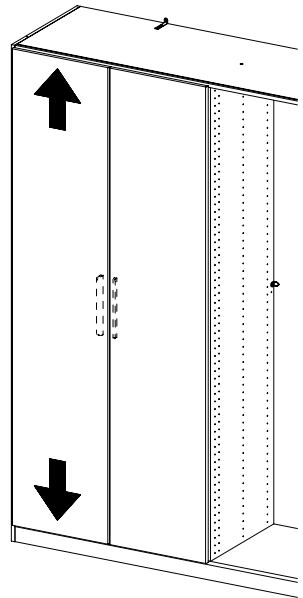
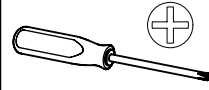


TU010

TU020

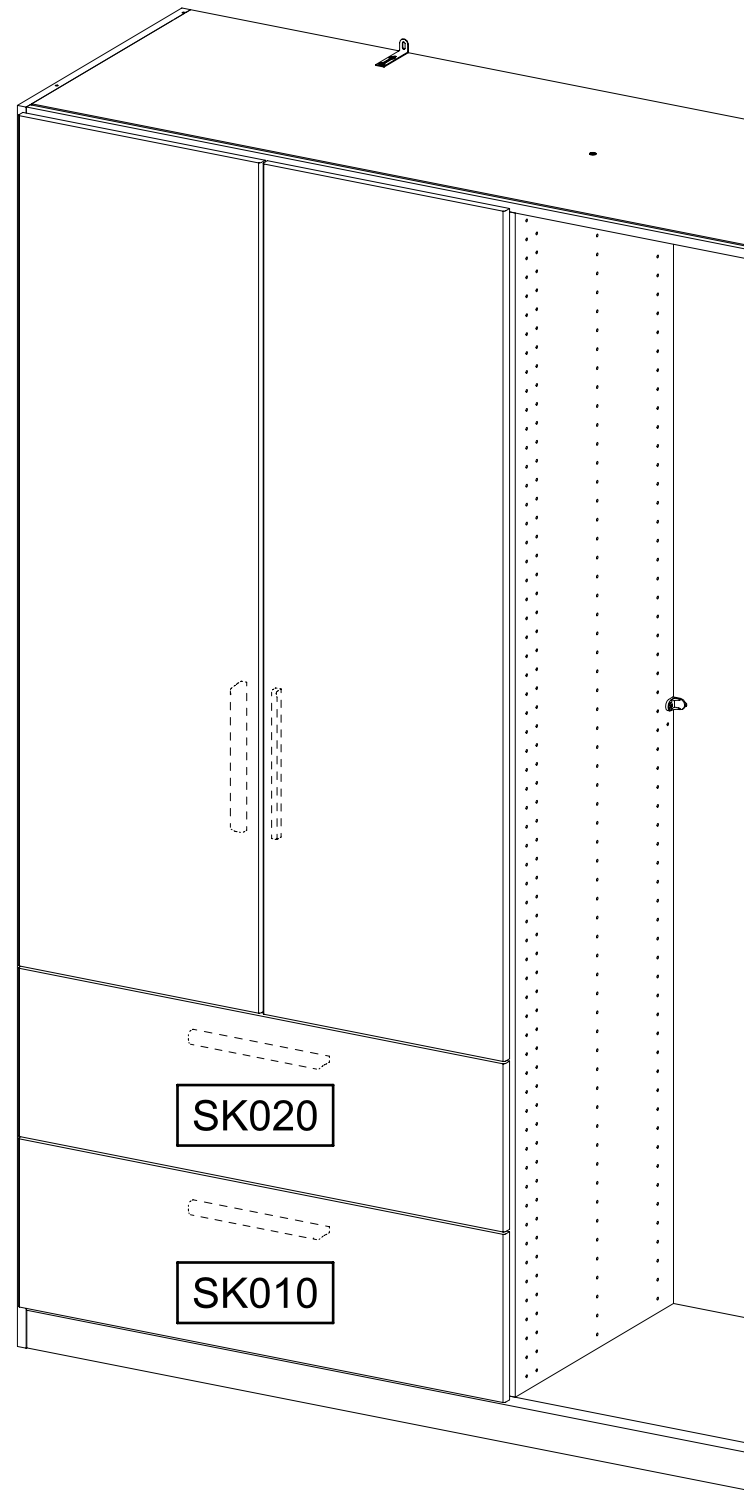
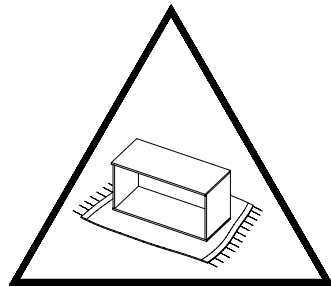
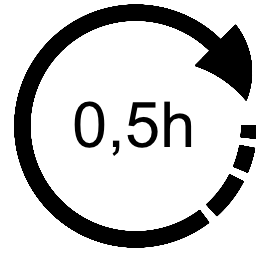
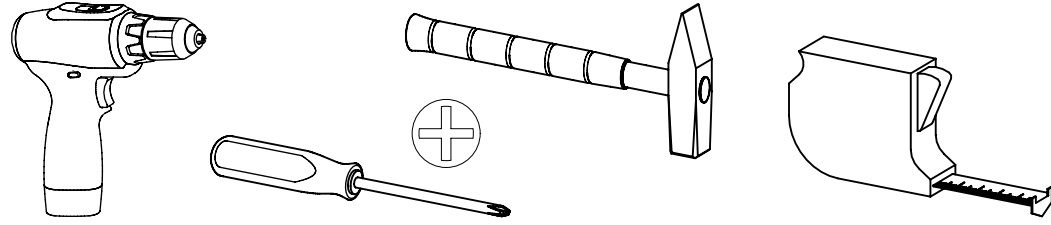


3

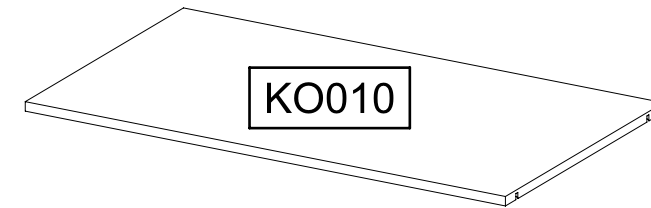
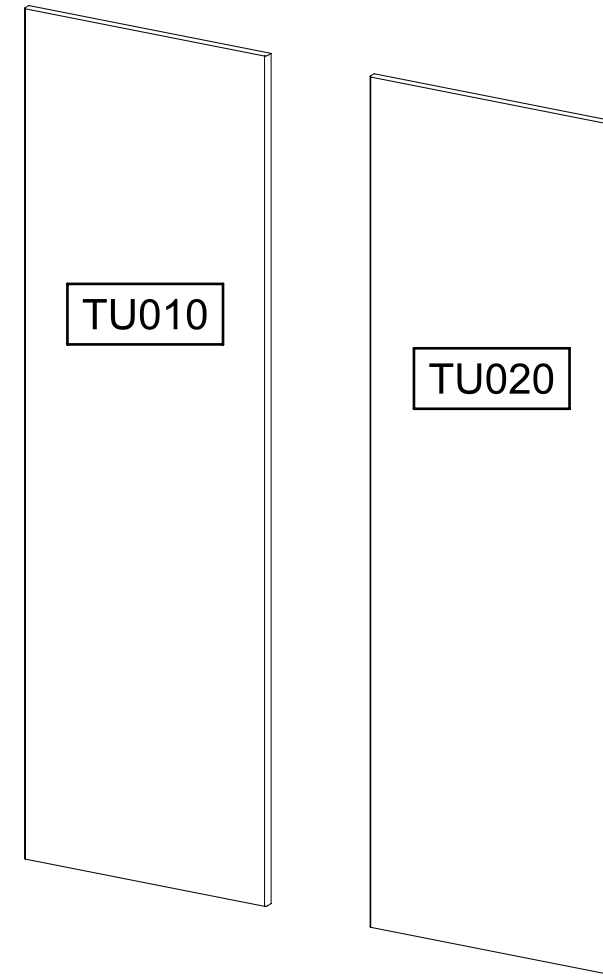


1.

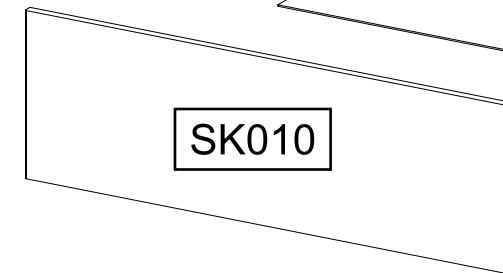
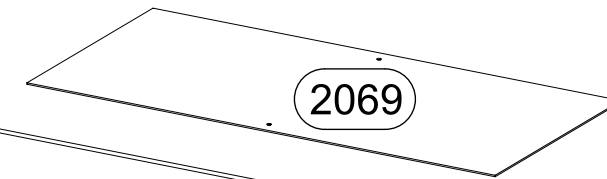
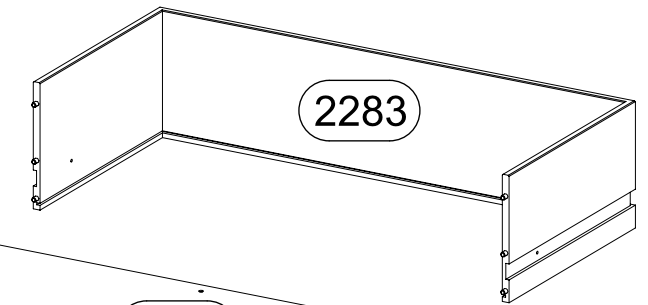
M9944_01

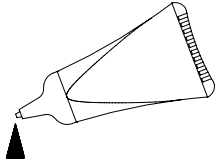
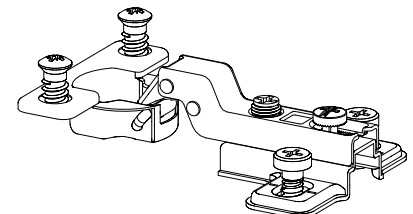

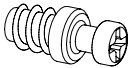
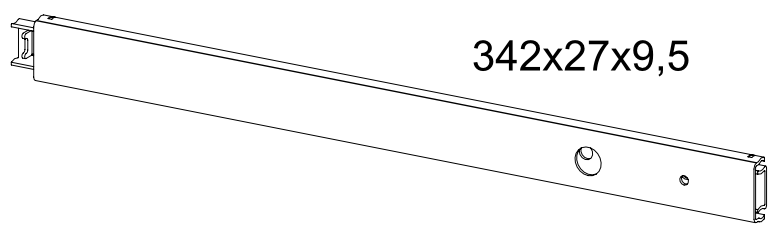
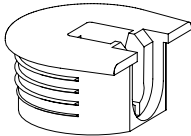
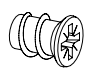

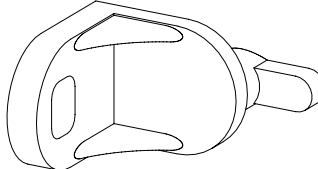
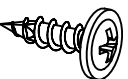


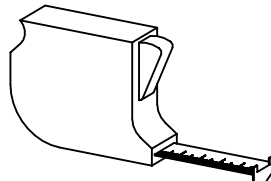
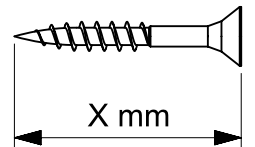
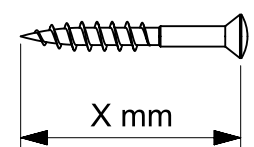
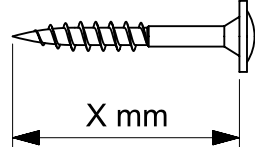
2.



SK010 = SK020

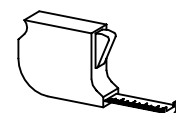


<p>11</p> 	<p>6x</p> <p>116</p> 	<p>4x</p> <p>205</p> <p>3,5x15</p> 
<p>4x</p> <p>249</p> <p>5,0x7,0</p> 	<p>4x</p> <p>259</p> <p>342x27x9,5</p> 	
<p>4x</p> <p>274</p> 	<p>8x</p> <p>534</p> <p>6x8</p> 	<p>4x</p> <p>568</p> <p>M4x9</p> 
<p>4x</p> <p>1</p> 	<p>4x</p> <p>201</p> <p>4x15</p> 	

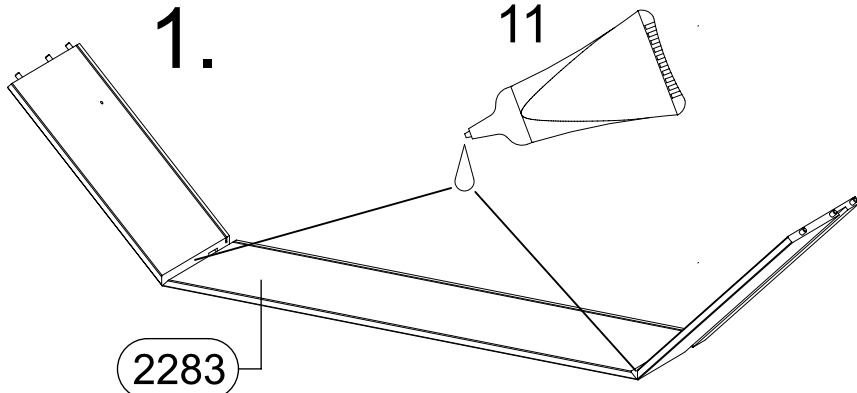





1

11

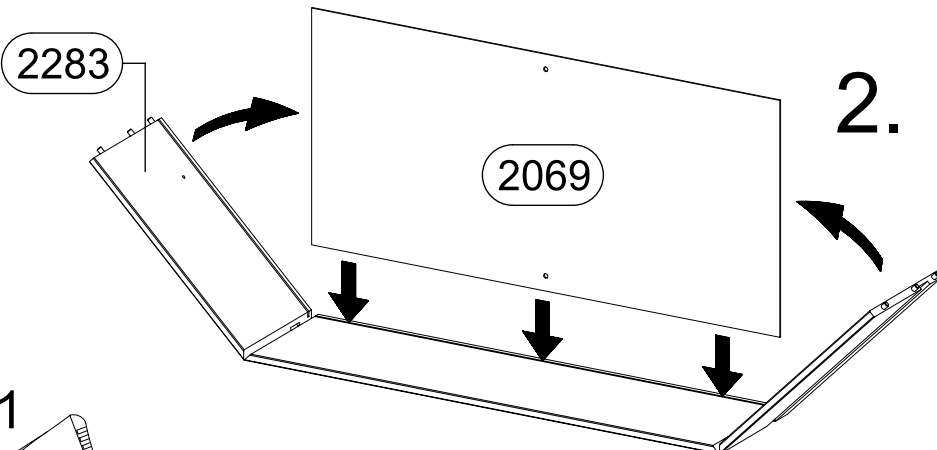


1.



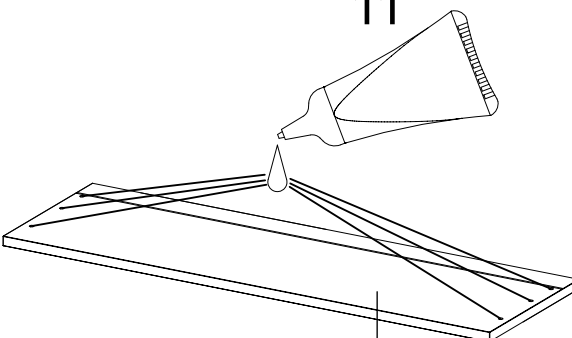
2283

2.



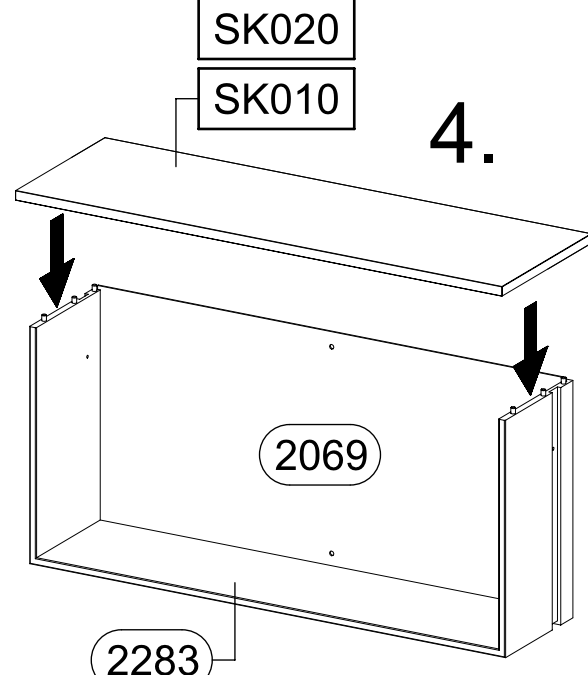
2069

3.



SK020 SK010

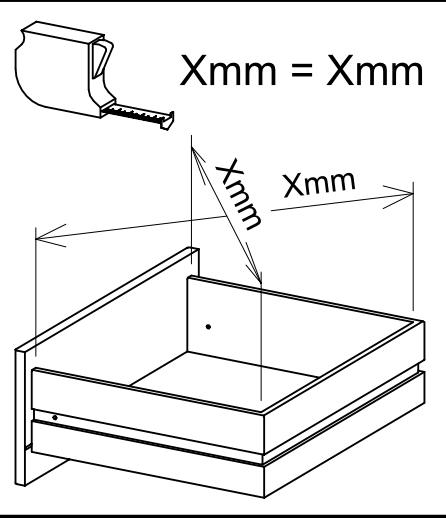
4.



SK020 SK010

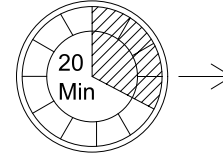
2069

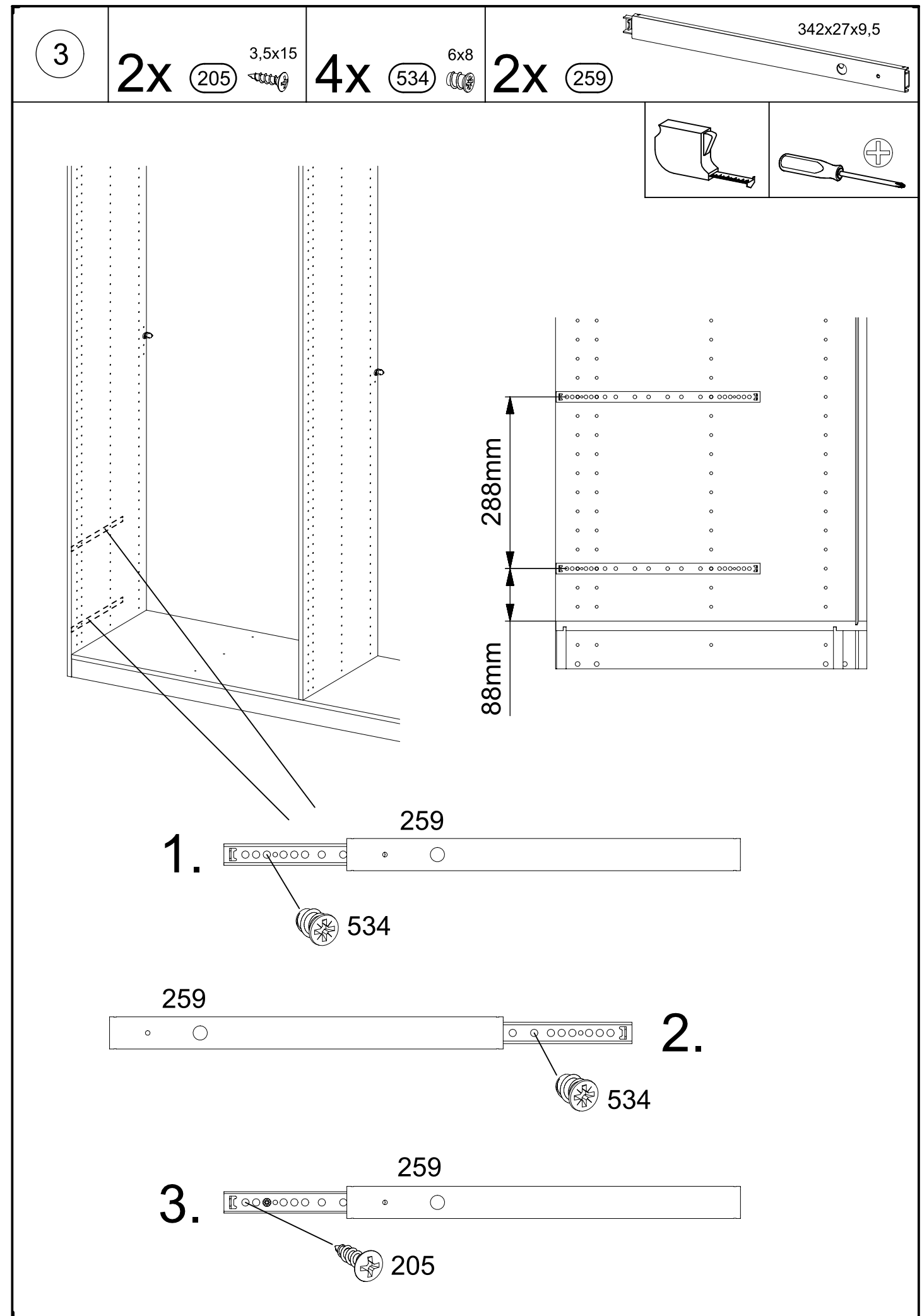
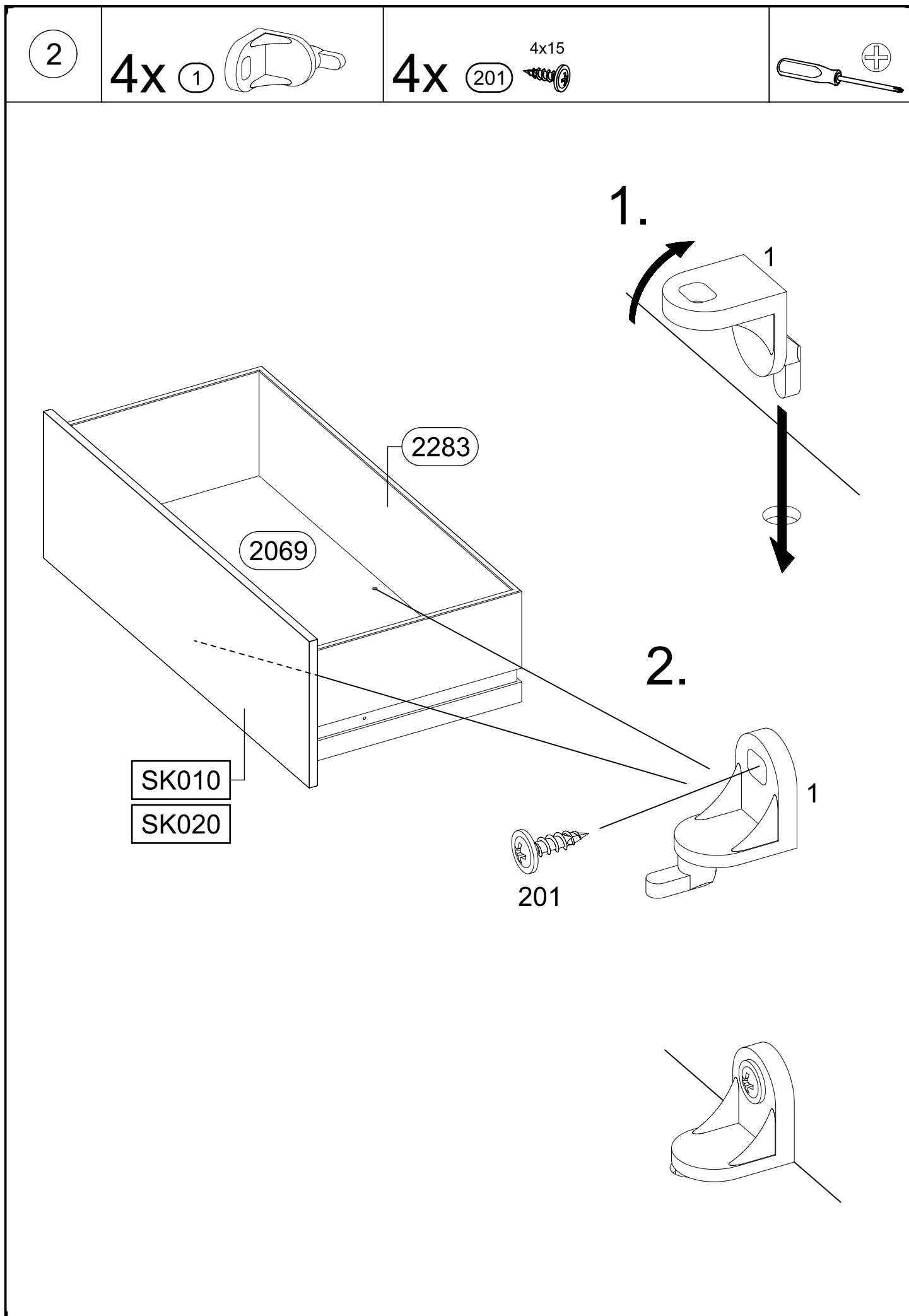
2283

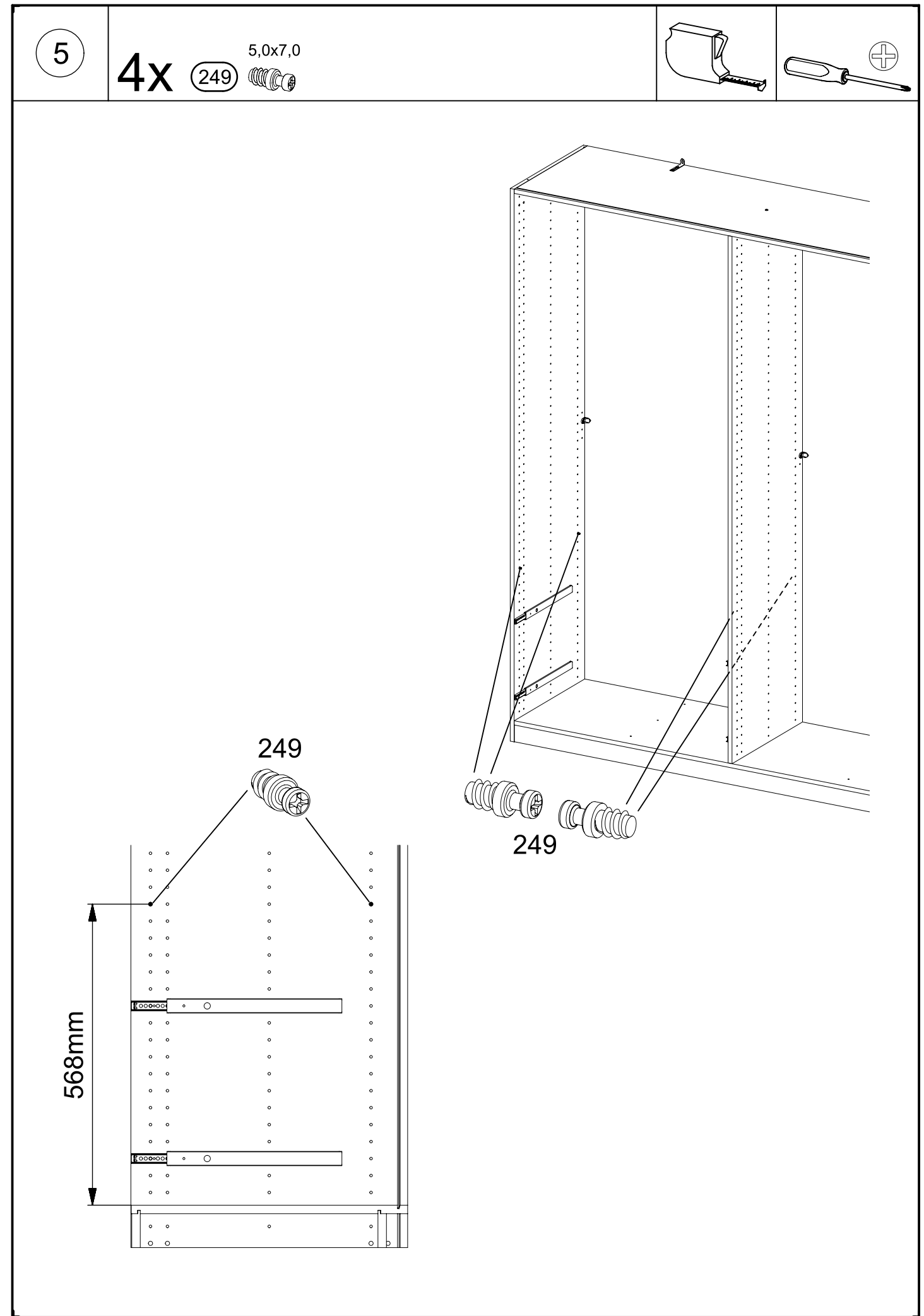
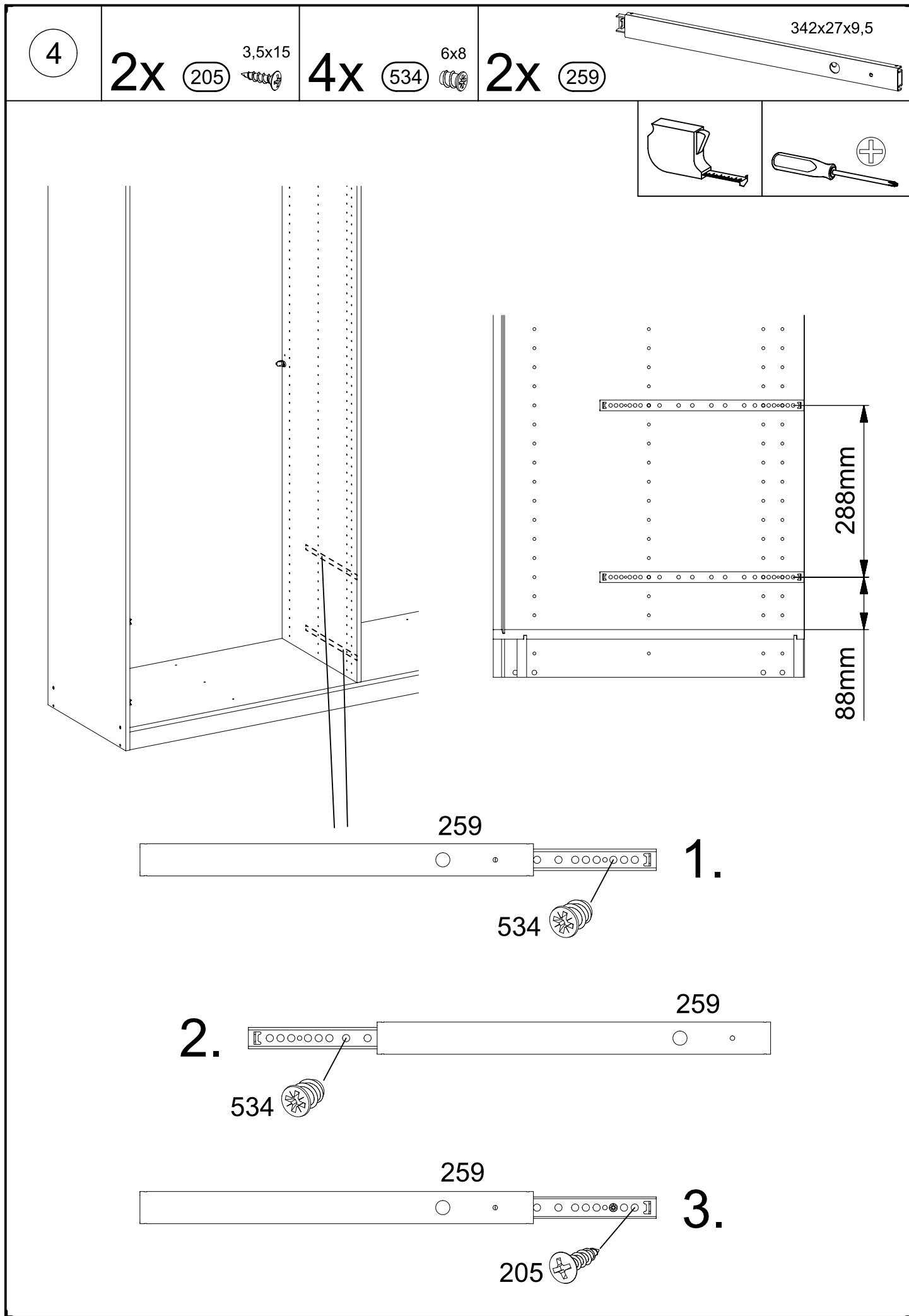


Xmm = Xmm

Xmm Xmm



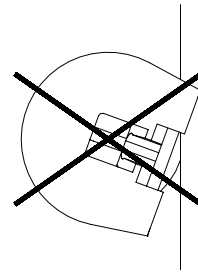
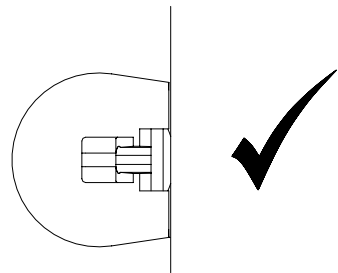
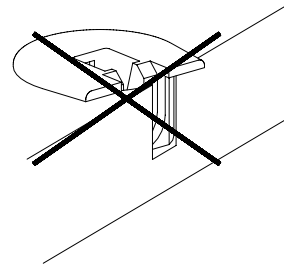
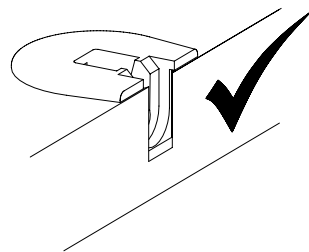
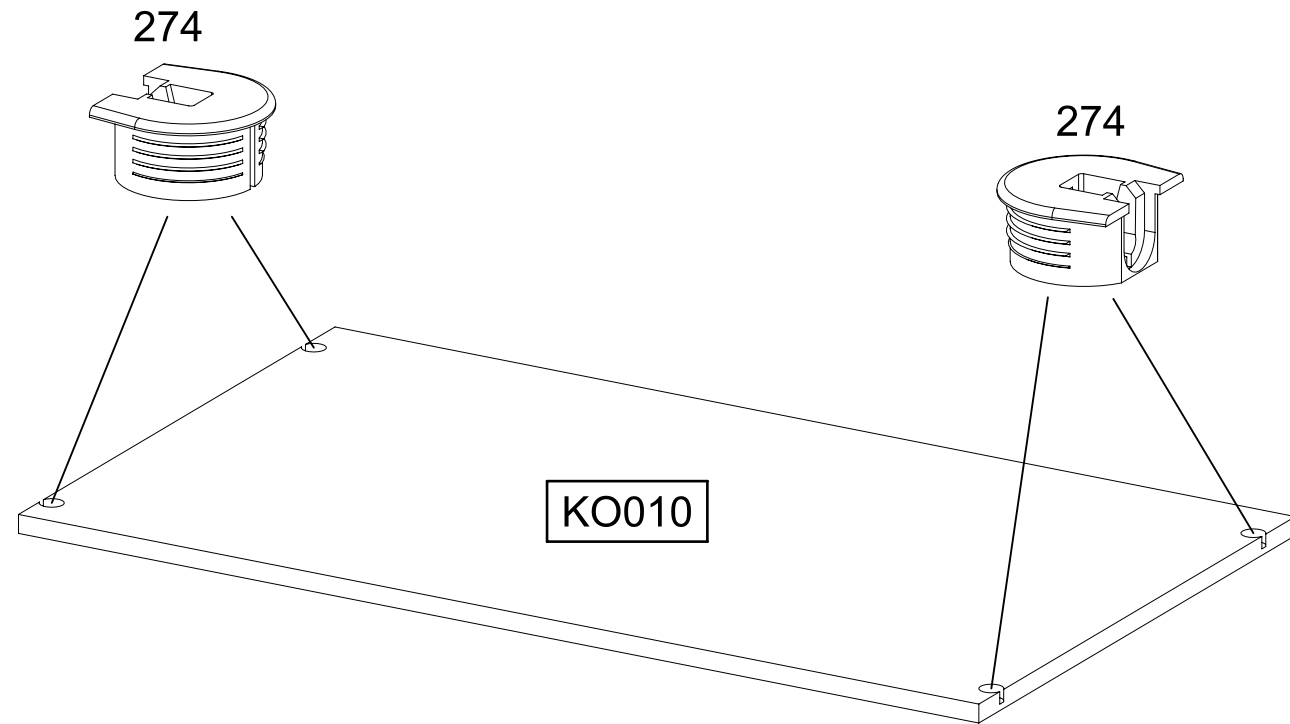
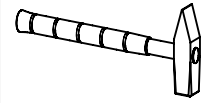
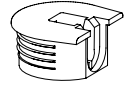




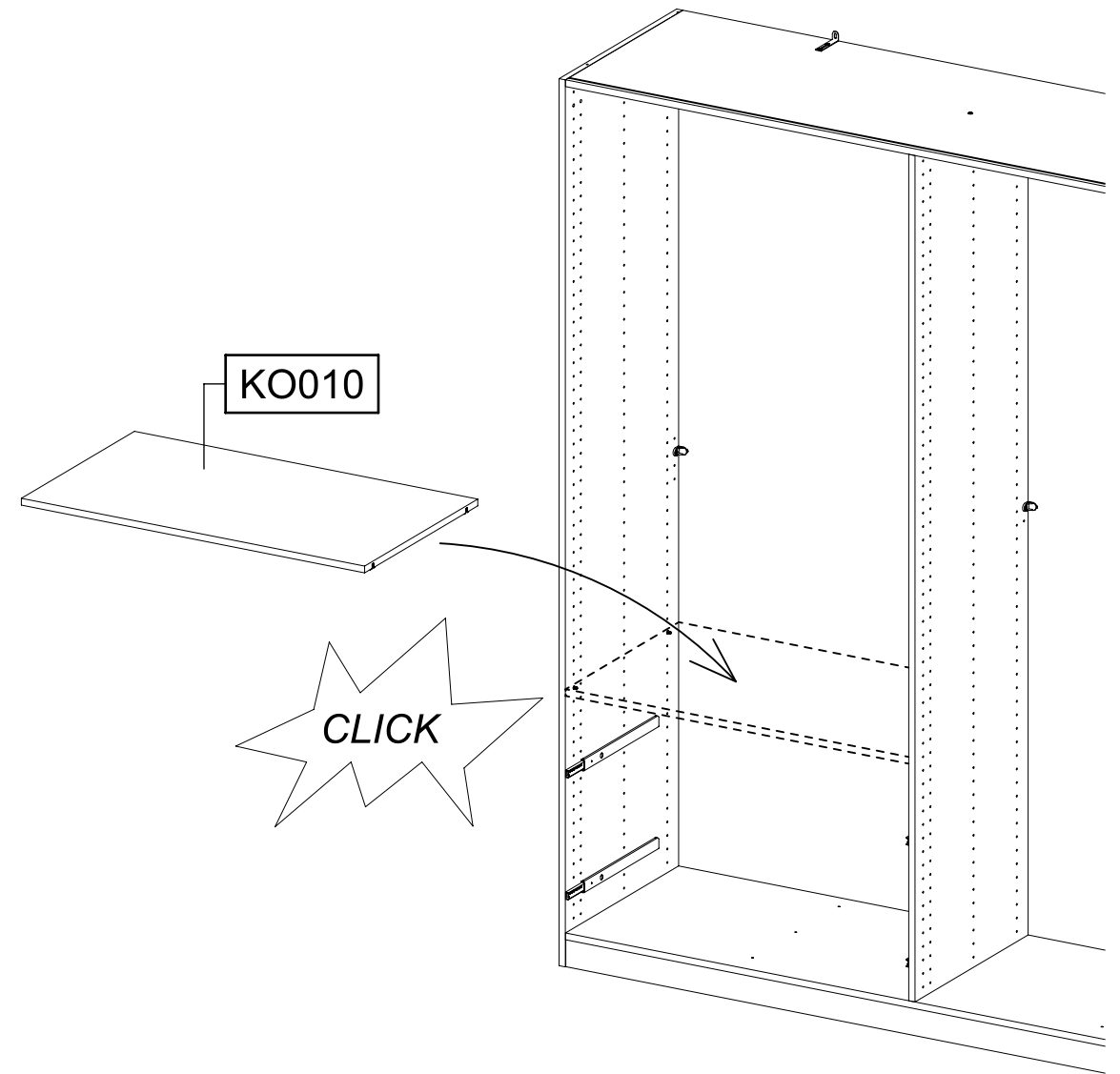
6

4x

274



7

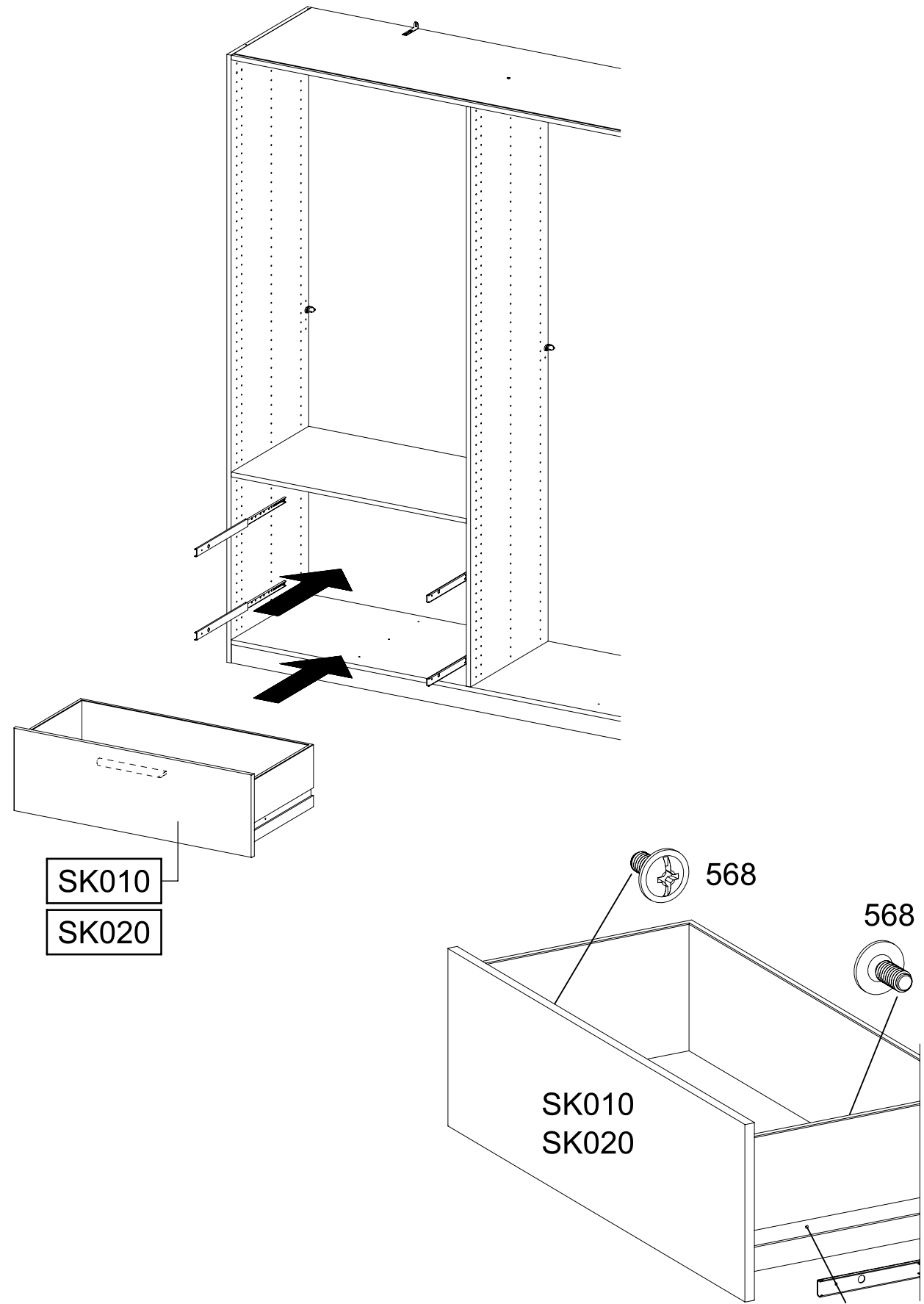
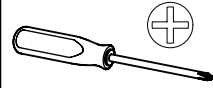


8

4x

568

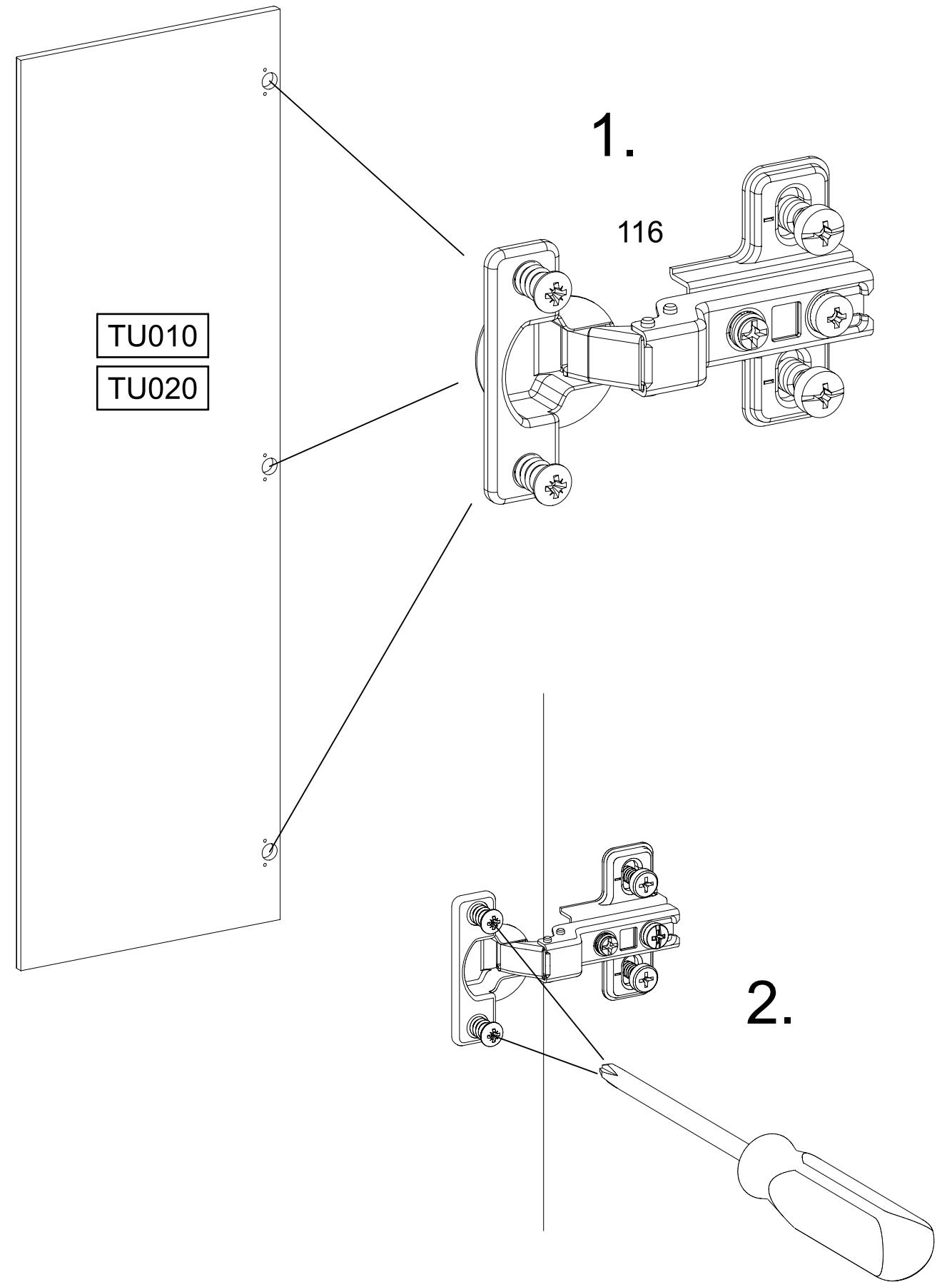
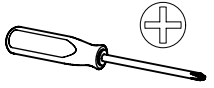
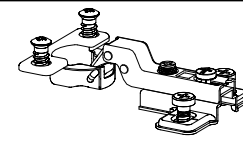
M4x9



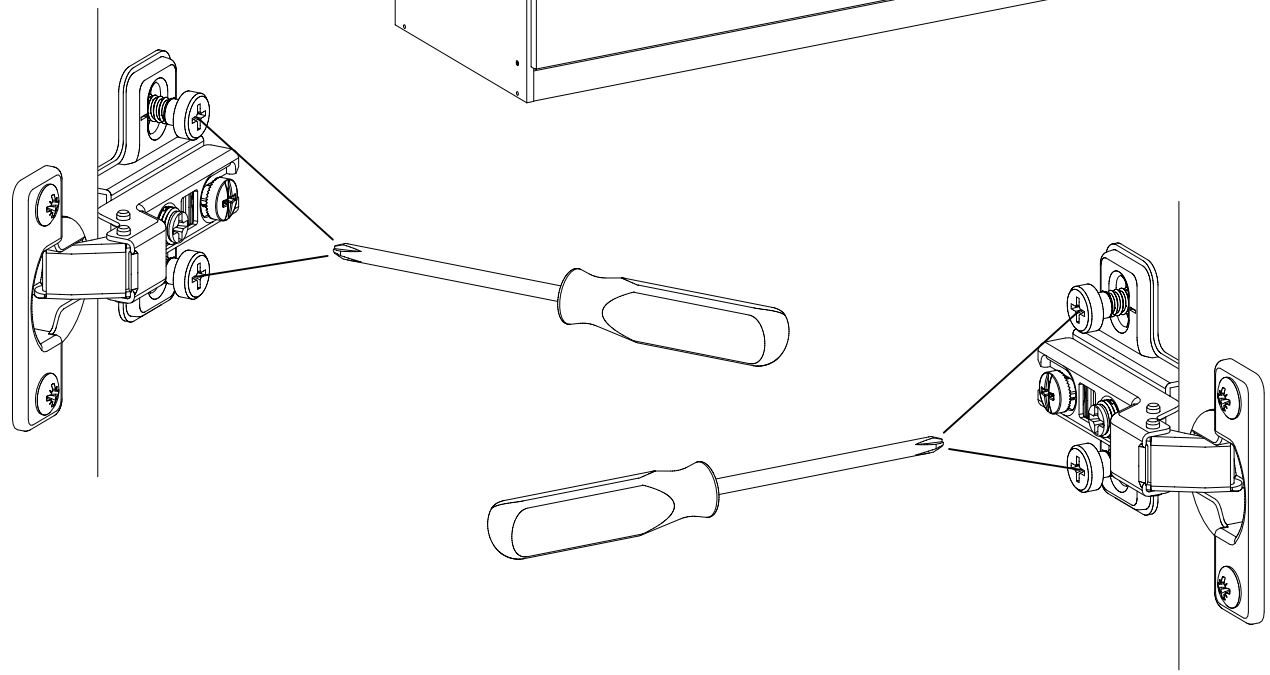
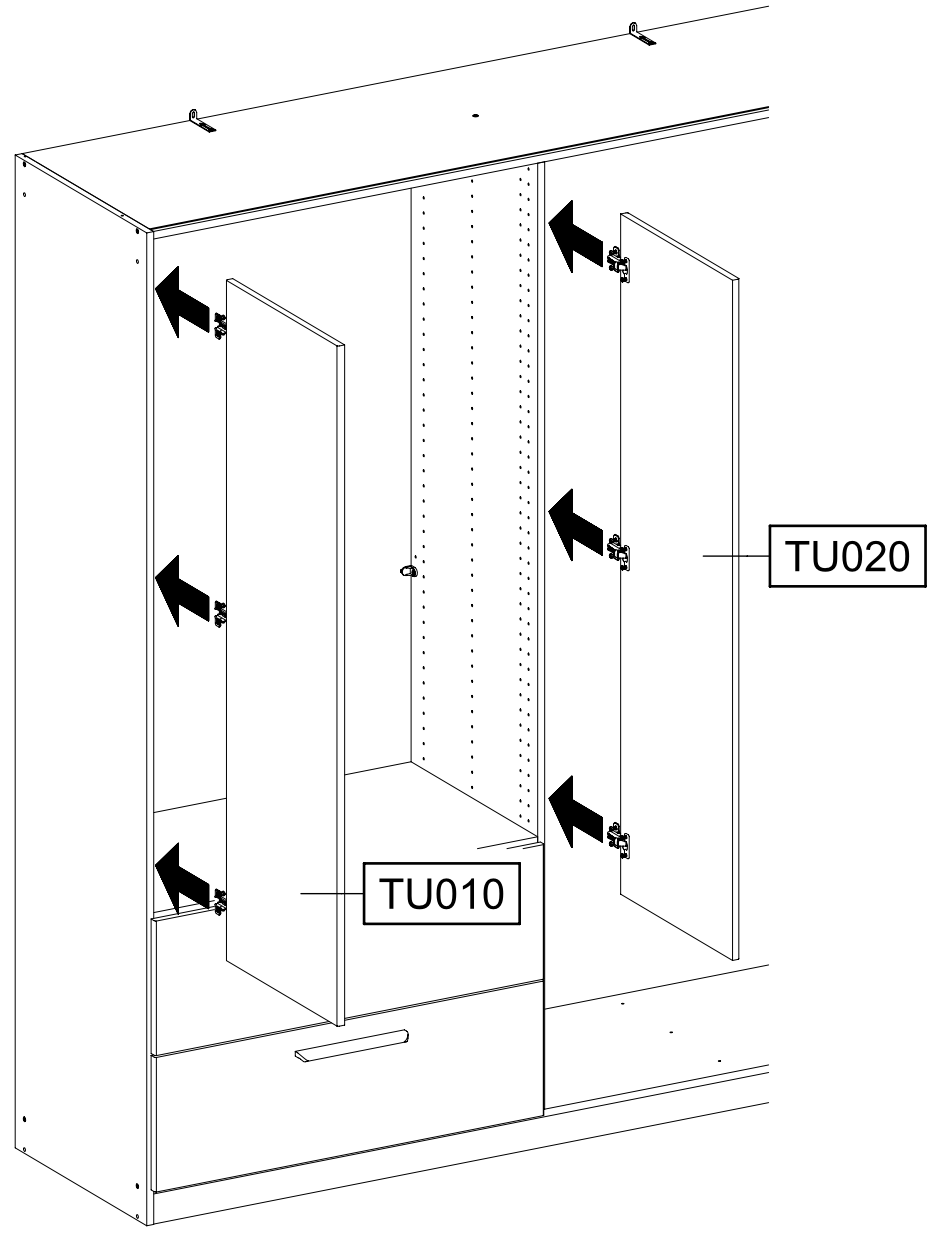
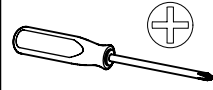
9

6x

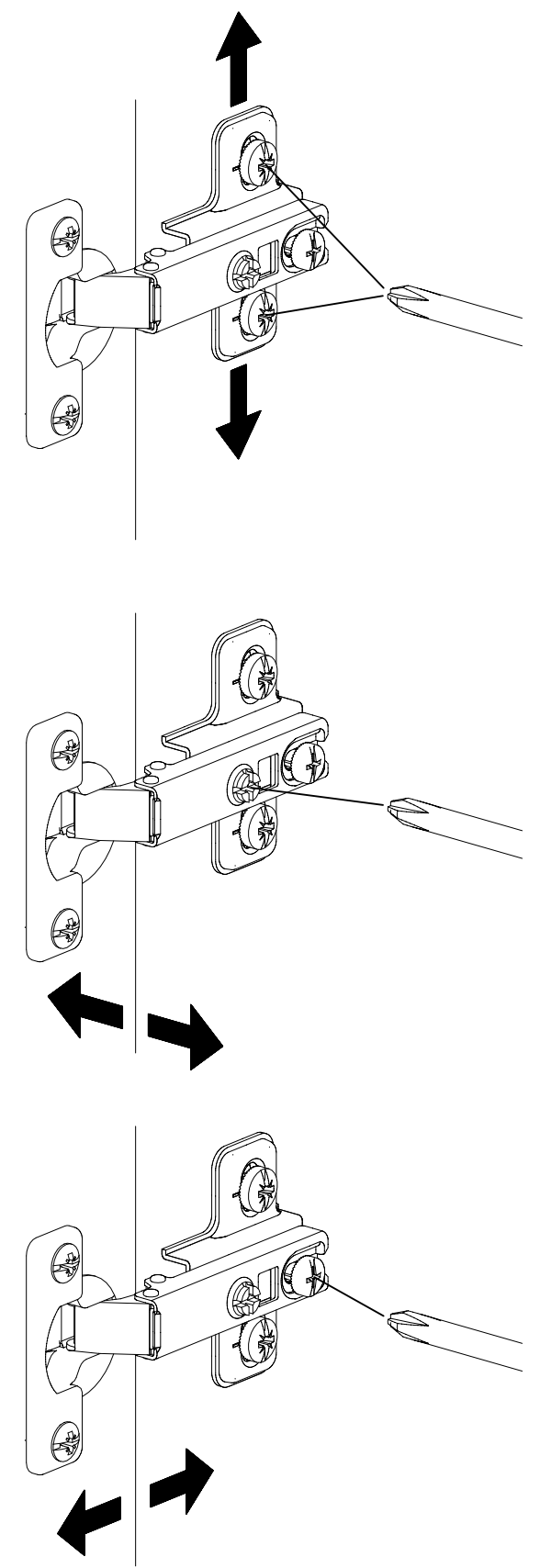
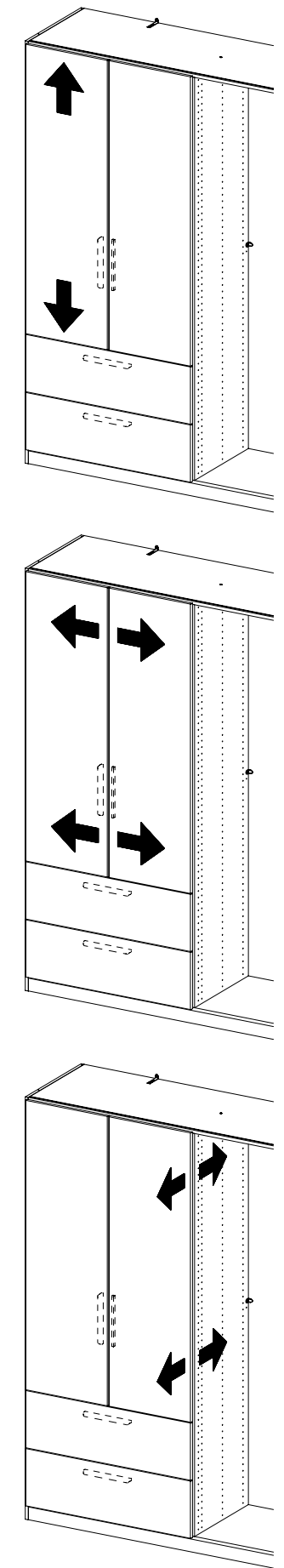
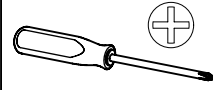
116

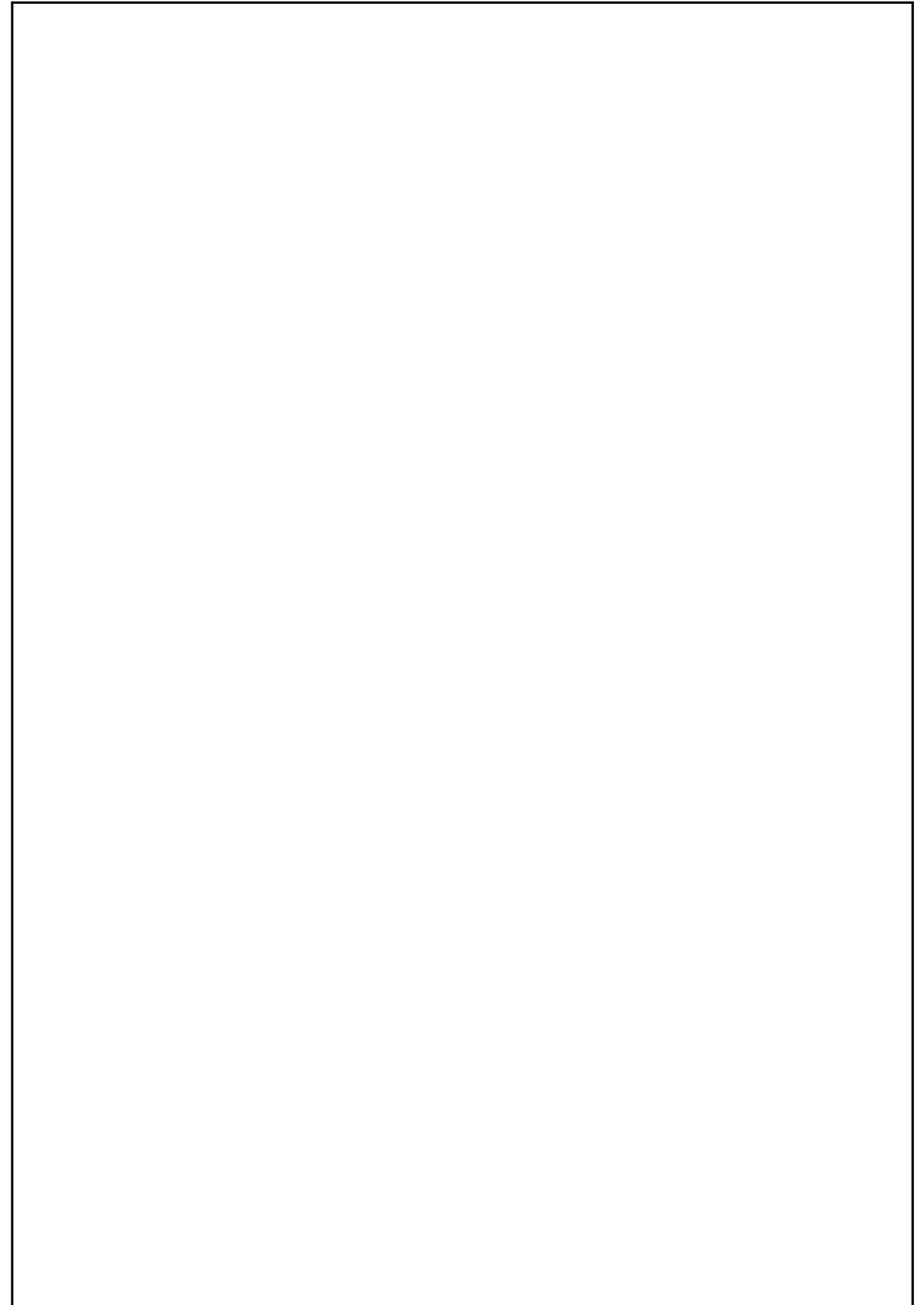
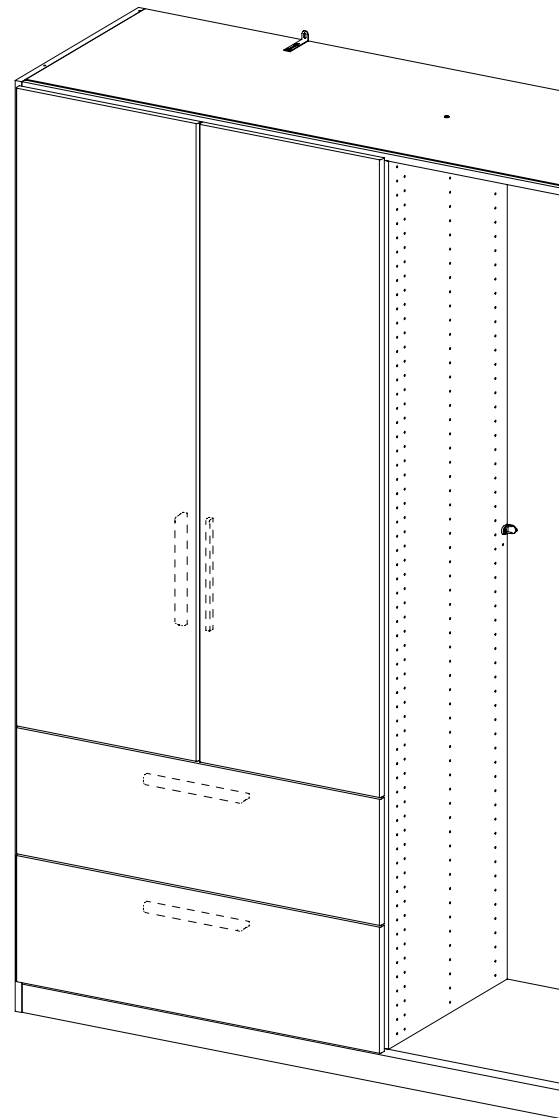


10

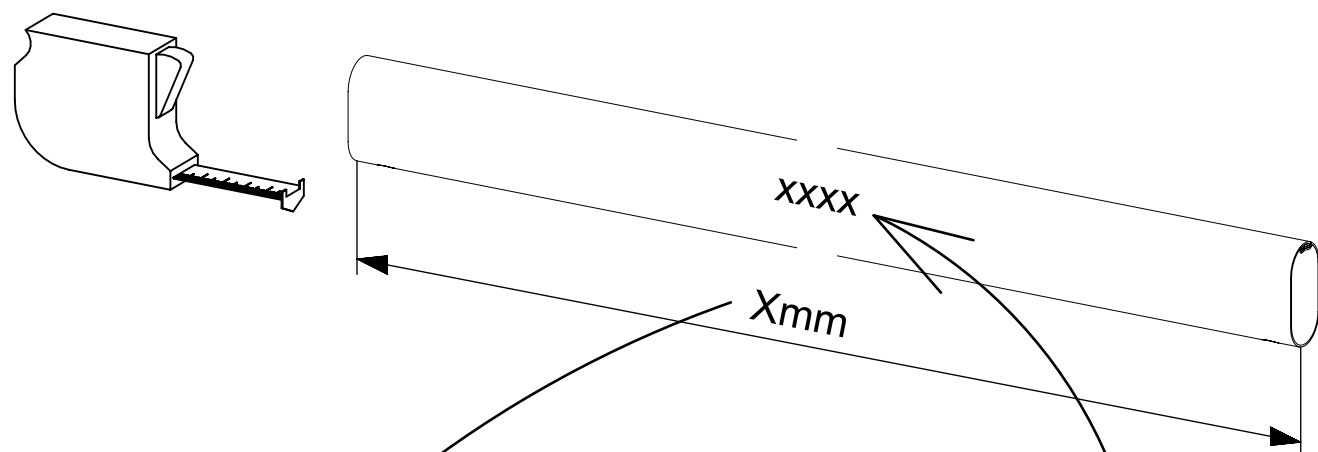
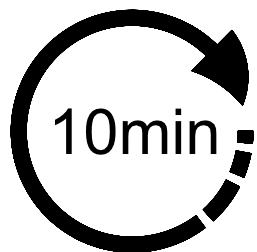
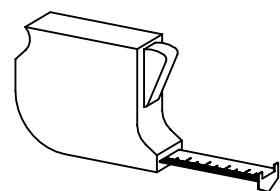
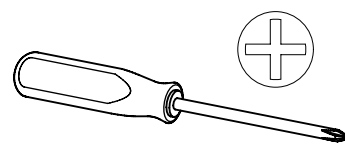


11





MZ110_03



Xmm		xxxx
393mm	max. 40kg	2000
426mm	max. 40kg	2001
563mm	max. 40kg	2002
650mm	max. 40kg	2003
809mm	max. 40kg	2004
873mm	max. 40kg	2006
890mm	max. 40kg	2010
1097mm	max. 40kg	2008



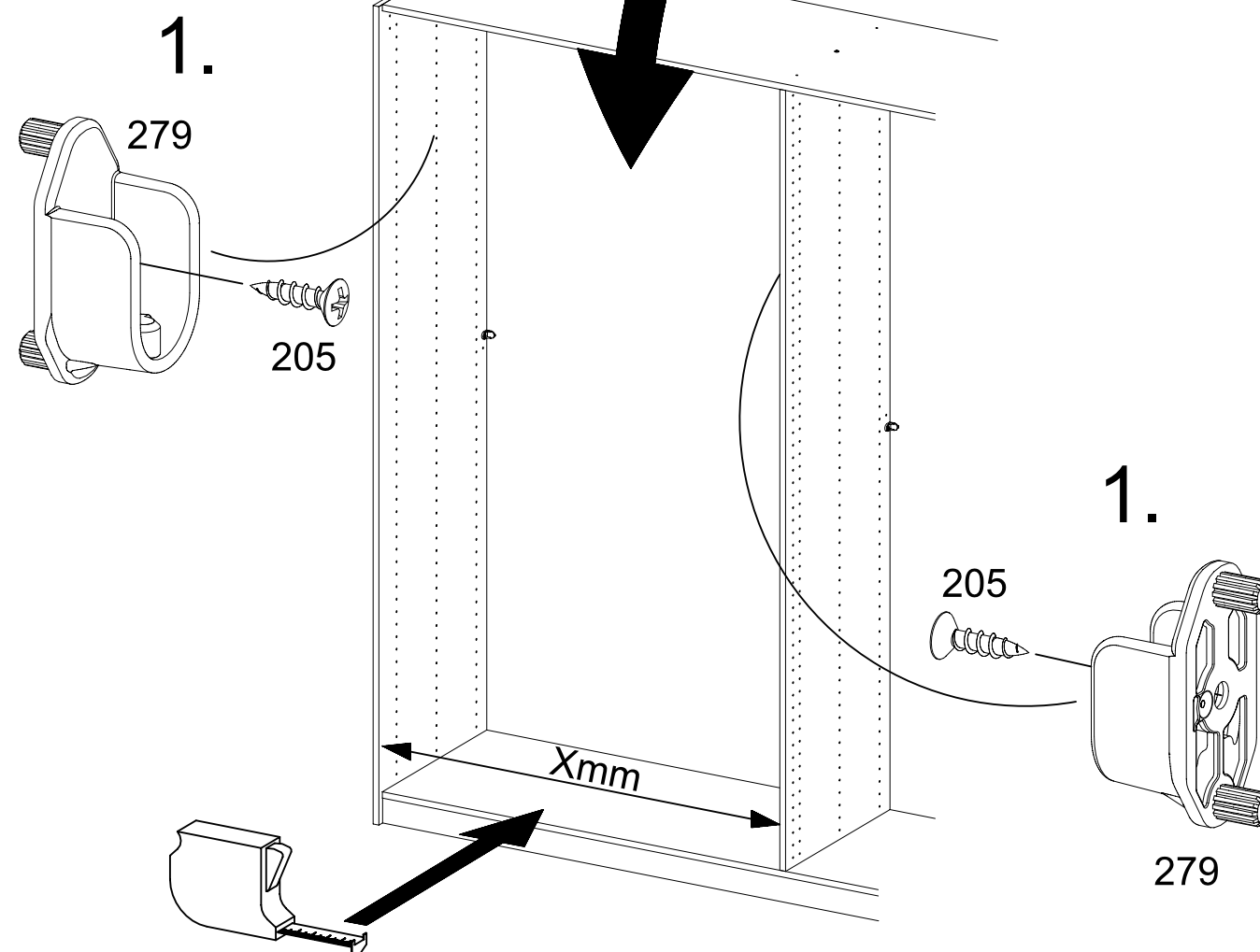
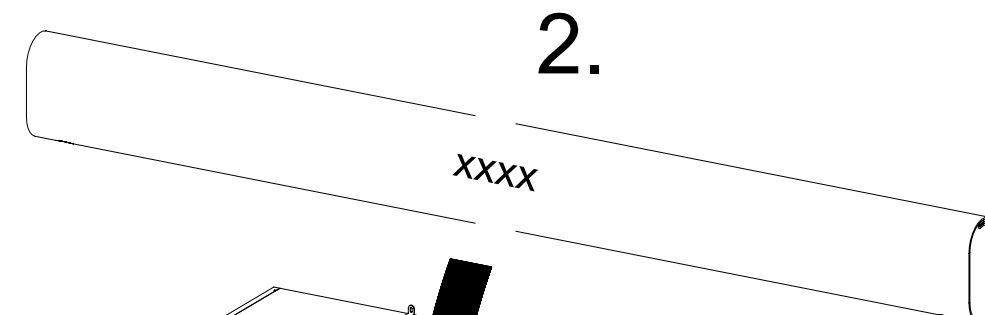
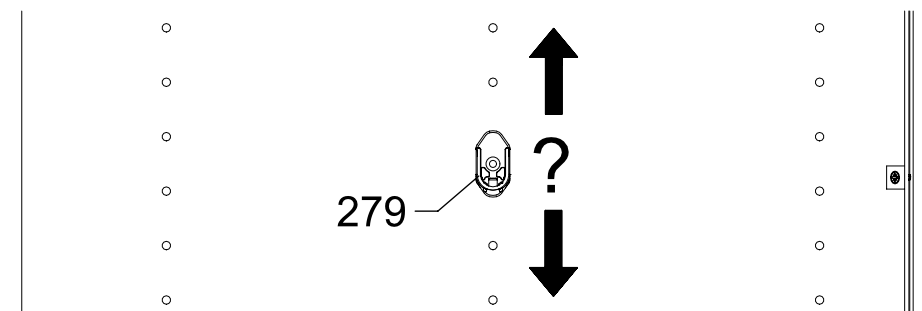
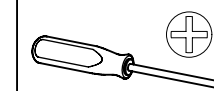
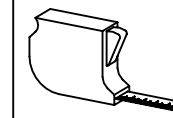
xxxx = 2000, 2001, 2002, 2003, 2004, 2006, 2008, 2010,



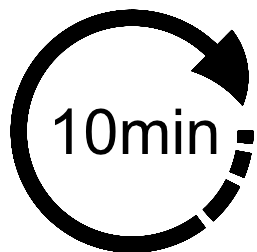
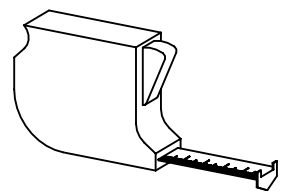
1

2x (205) 3,5x15

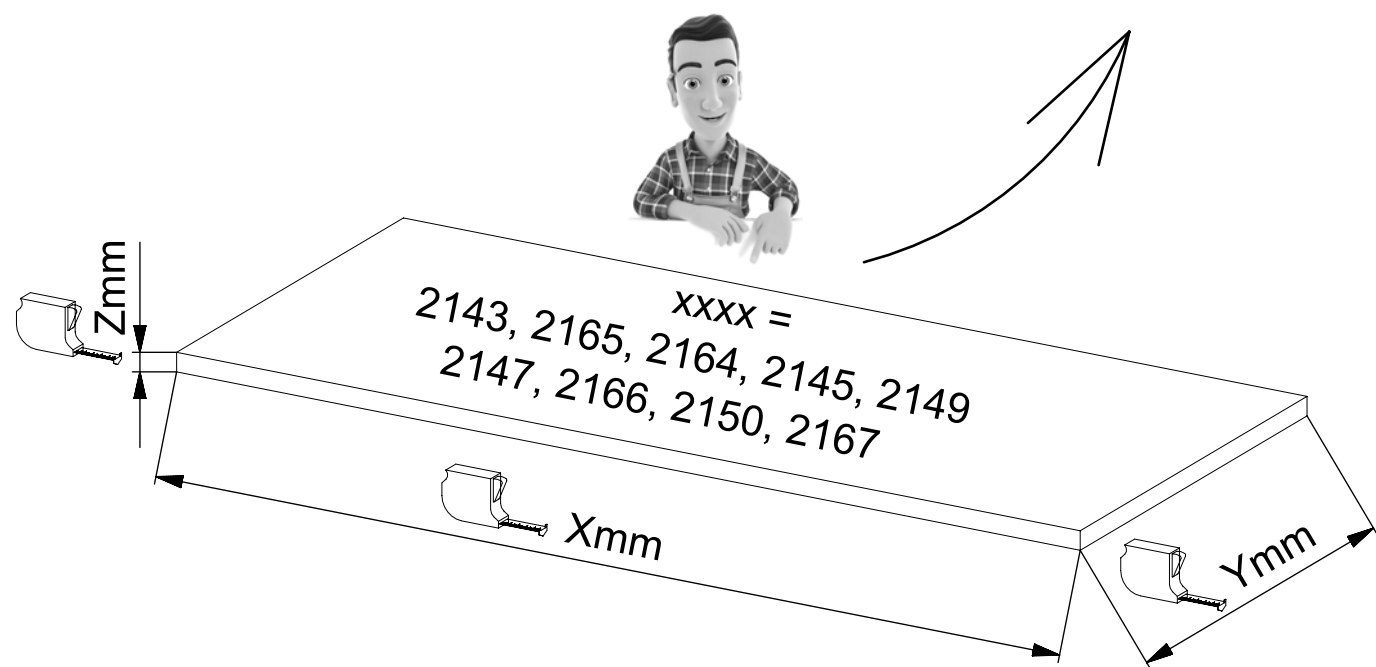
2x (279)



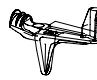
MZ112_05

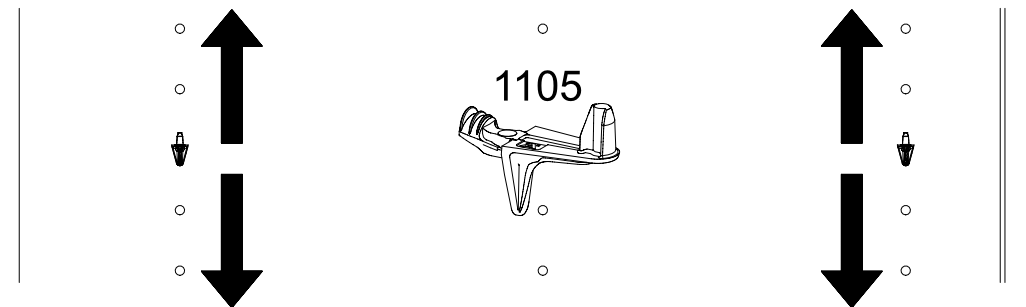


Xmm	Ymm	Zmm	 	XXXX
432mm	450mm	16mm	max. 10kg	2143
632mm	450mm	16mm	max. 10kg	2164
656mm	450mm	16mm	max. 10kg	2145
848mm	450mm	16mm	max. 10kg	2149
880mm	450mm	16mm	max. 10kg	2147
1064mm	450mm	22mm	max. 25kg	2150
848mm	395mm	16mm	max. 10kg	2167

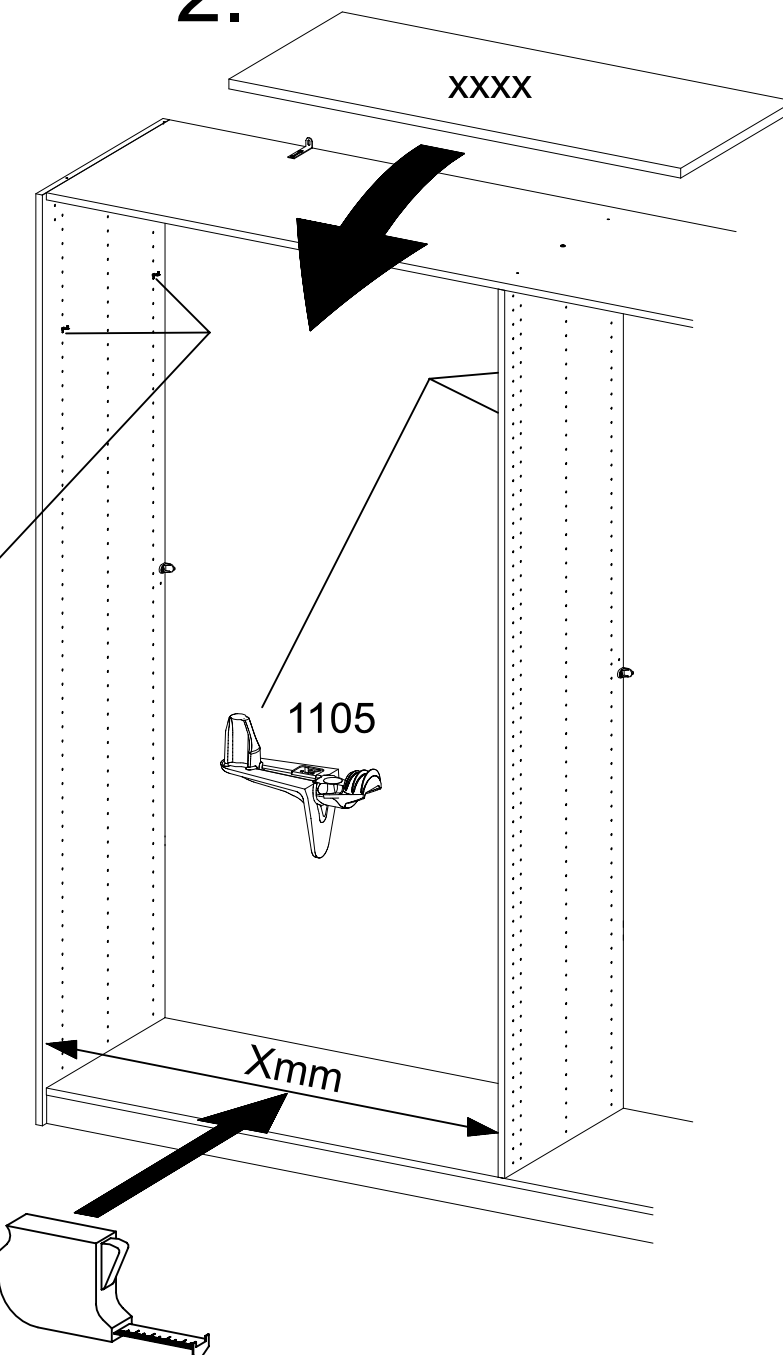


1

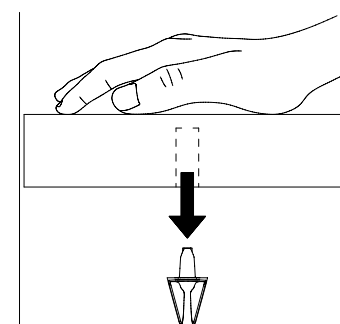
4x  1105



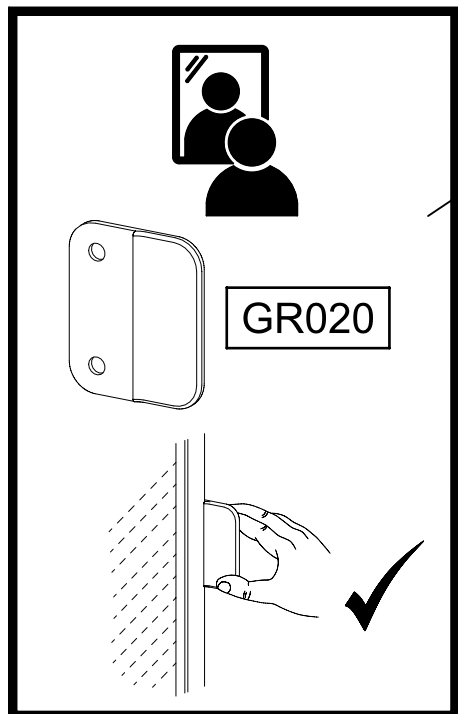
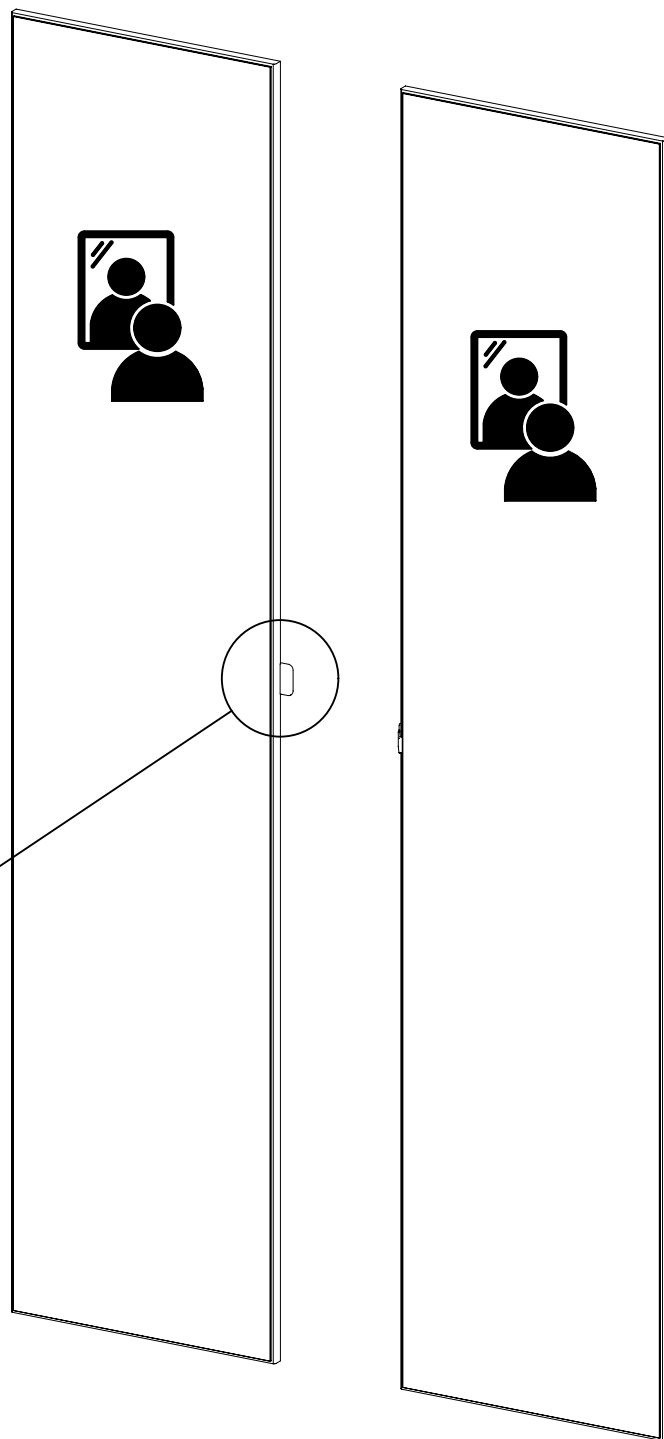
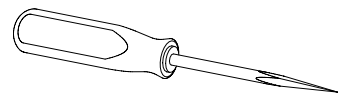
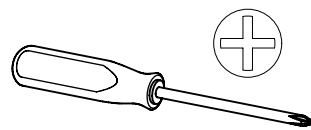
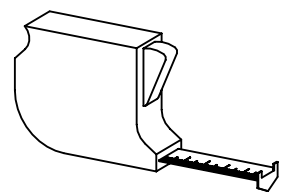
2.



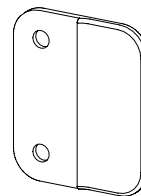
3.



MZ216_01



1x

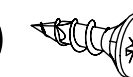


GR020

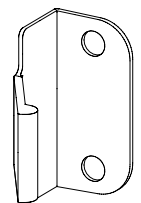
2x

4,5x16

202



1x

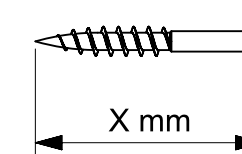
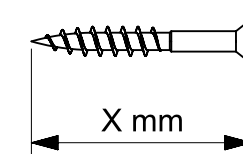
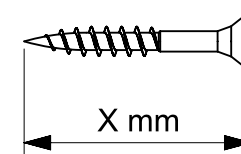
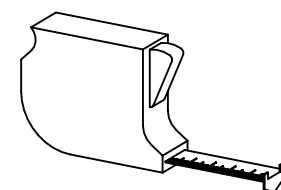


GR010

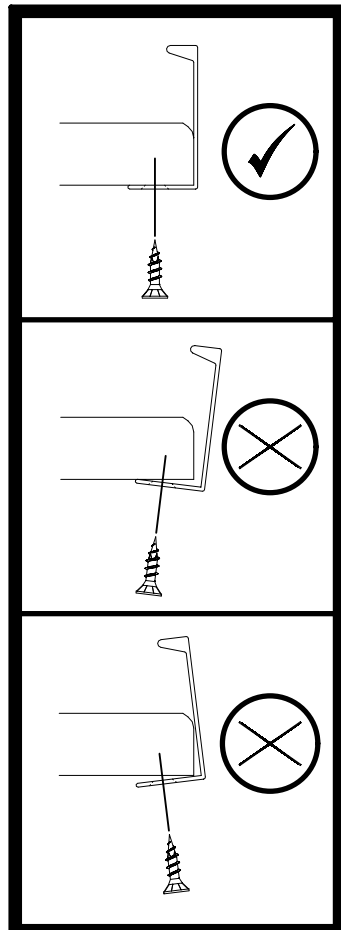
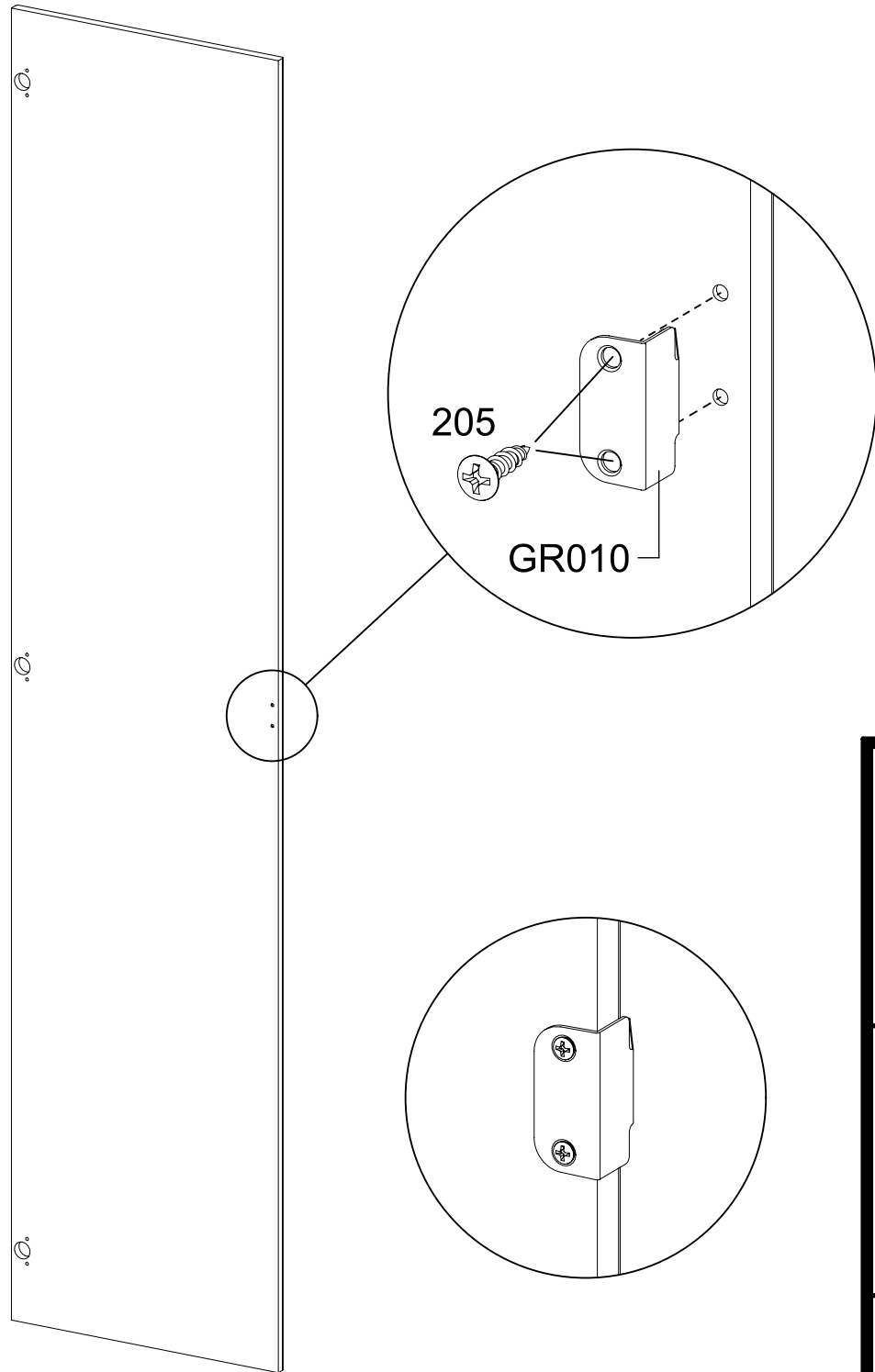
2x

3,5x15

205



- 1 **2x** (205) 3,5x15
- 1x** GR010
-



- 2 **2x** (202) 4,5x16
- 1x** GR020
-
-

