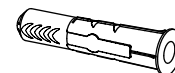
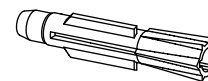
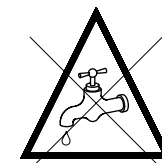
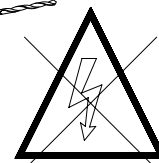
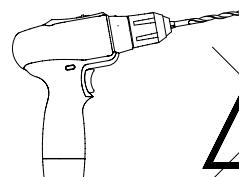
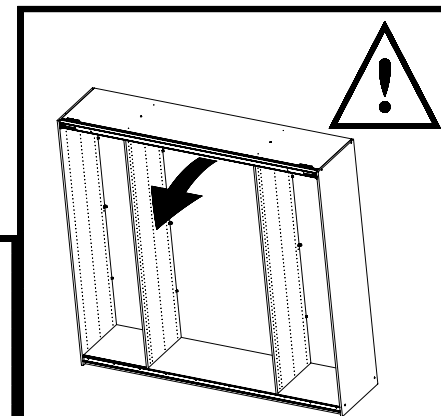
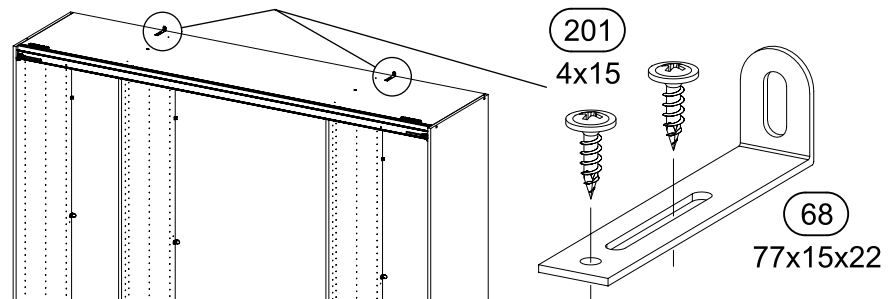
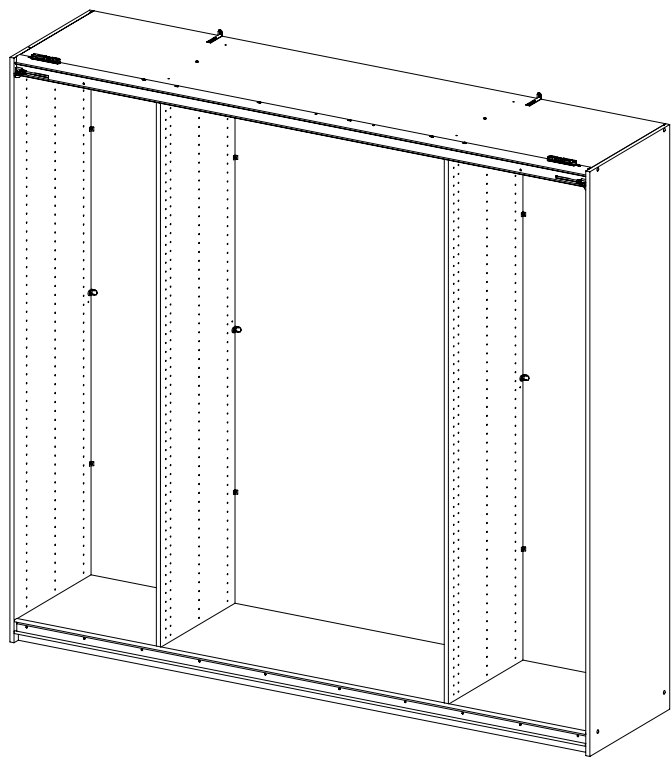
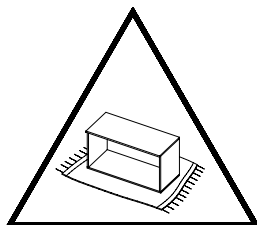
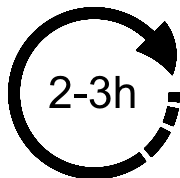
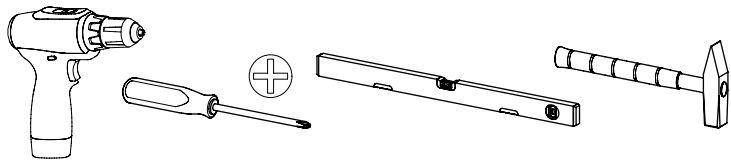
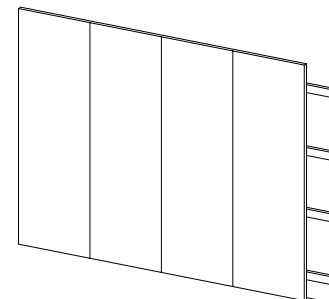
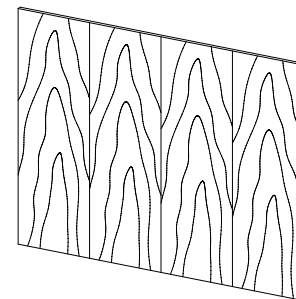
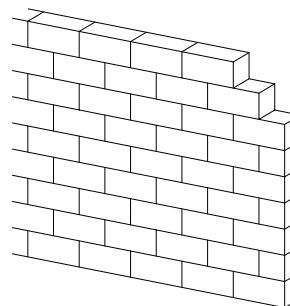
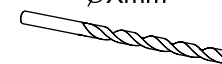
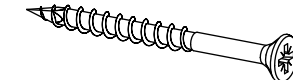
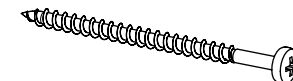
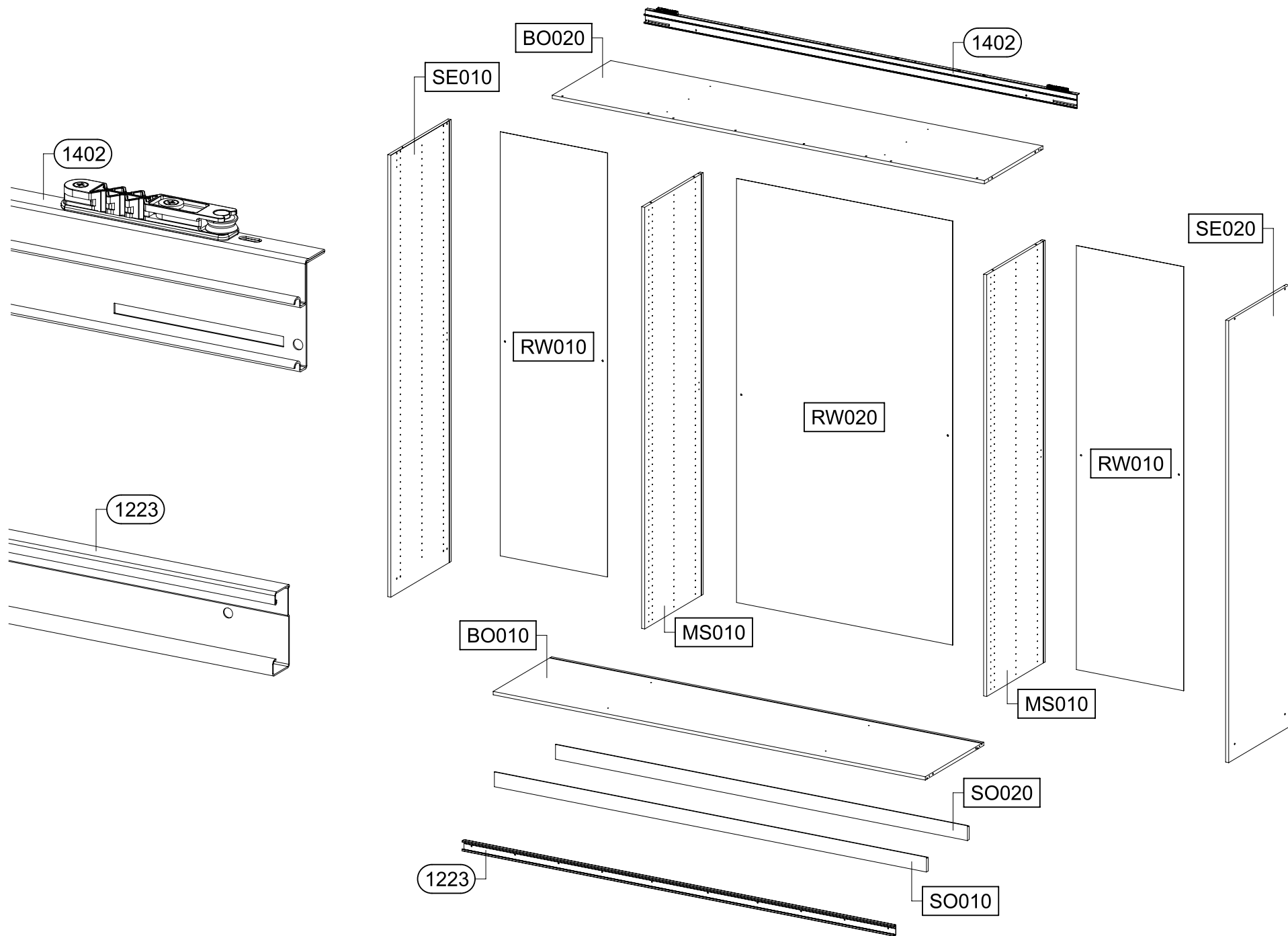


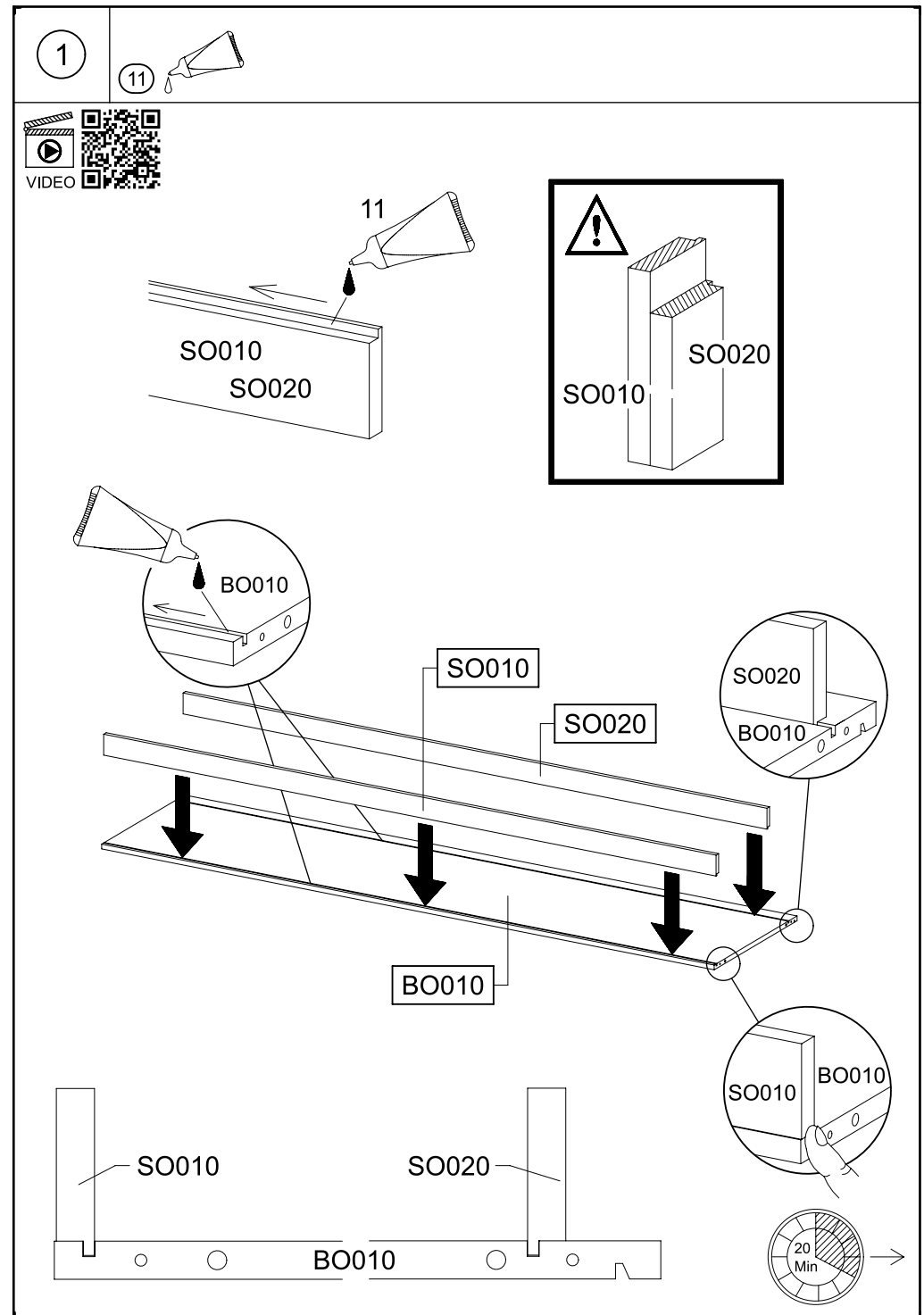
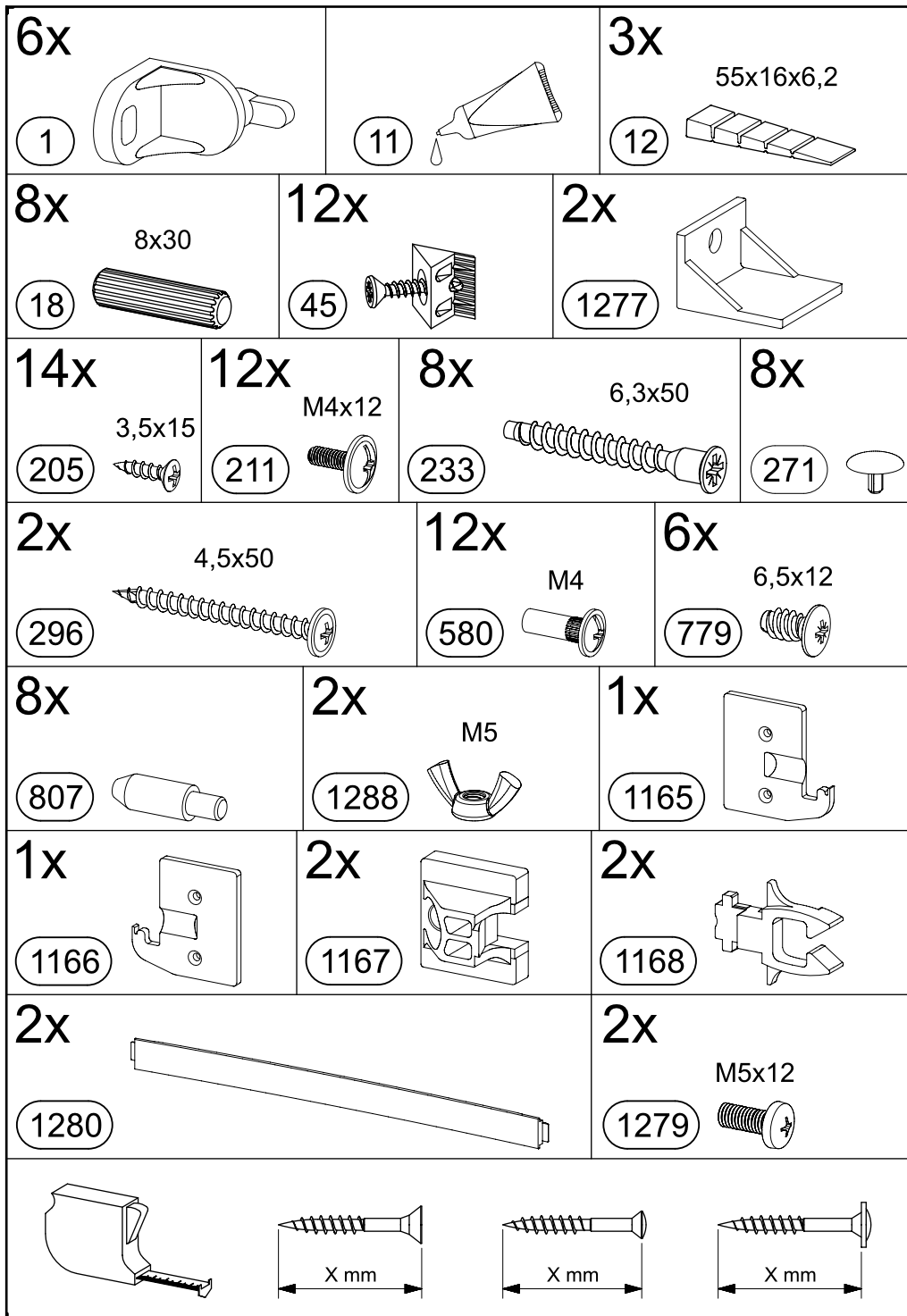
M2944_01

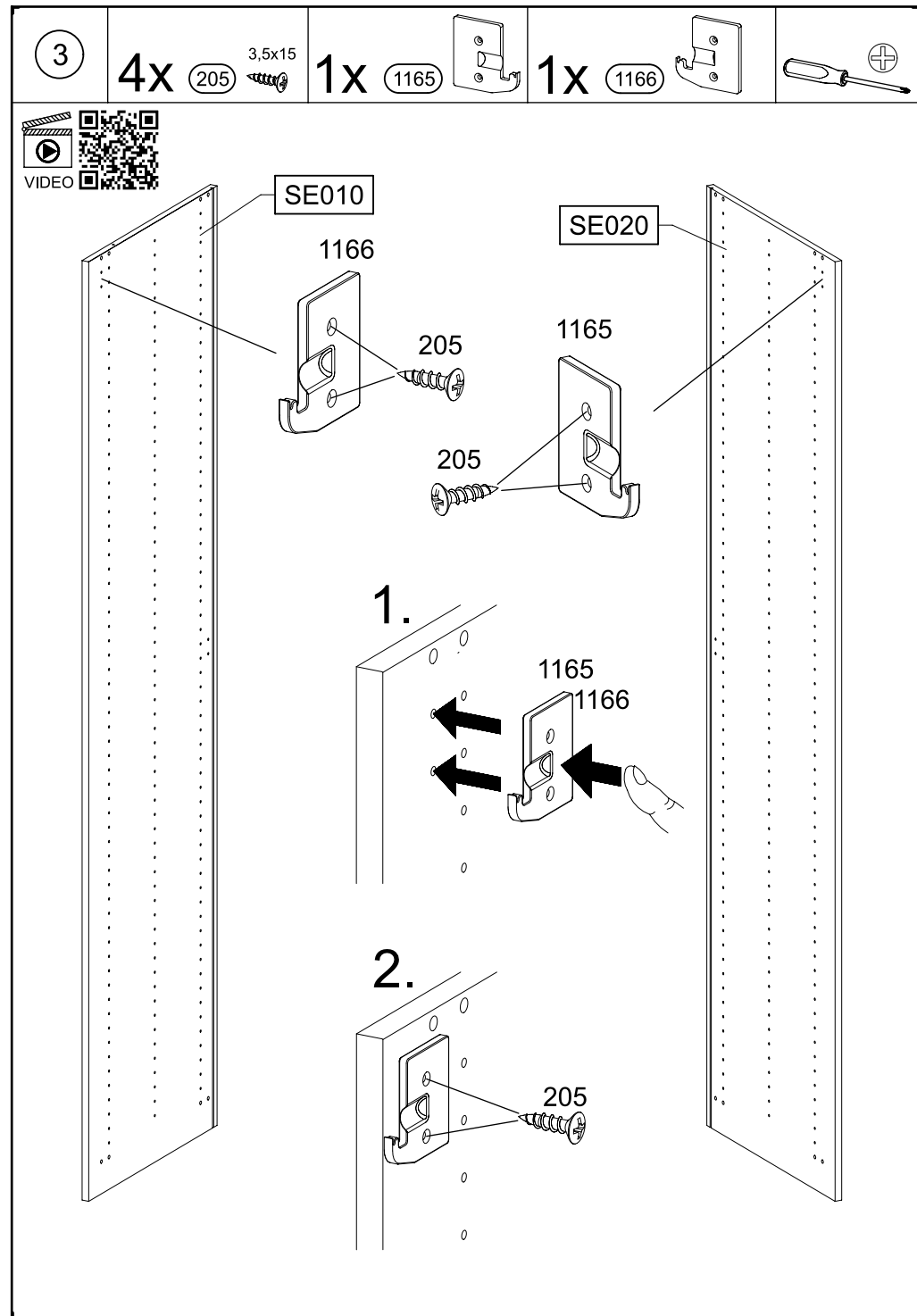
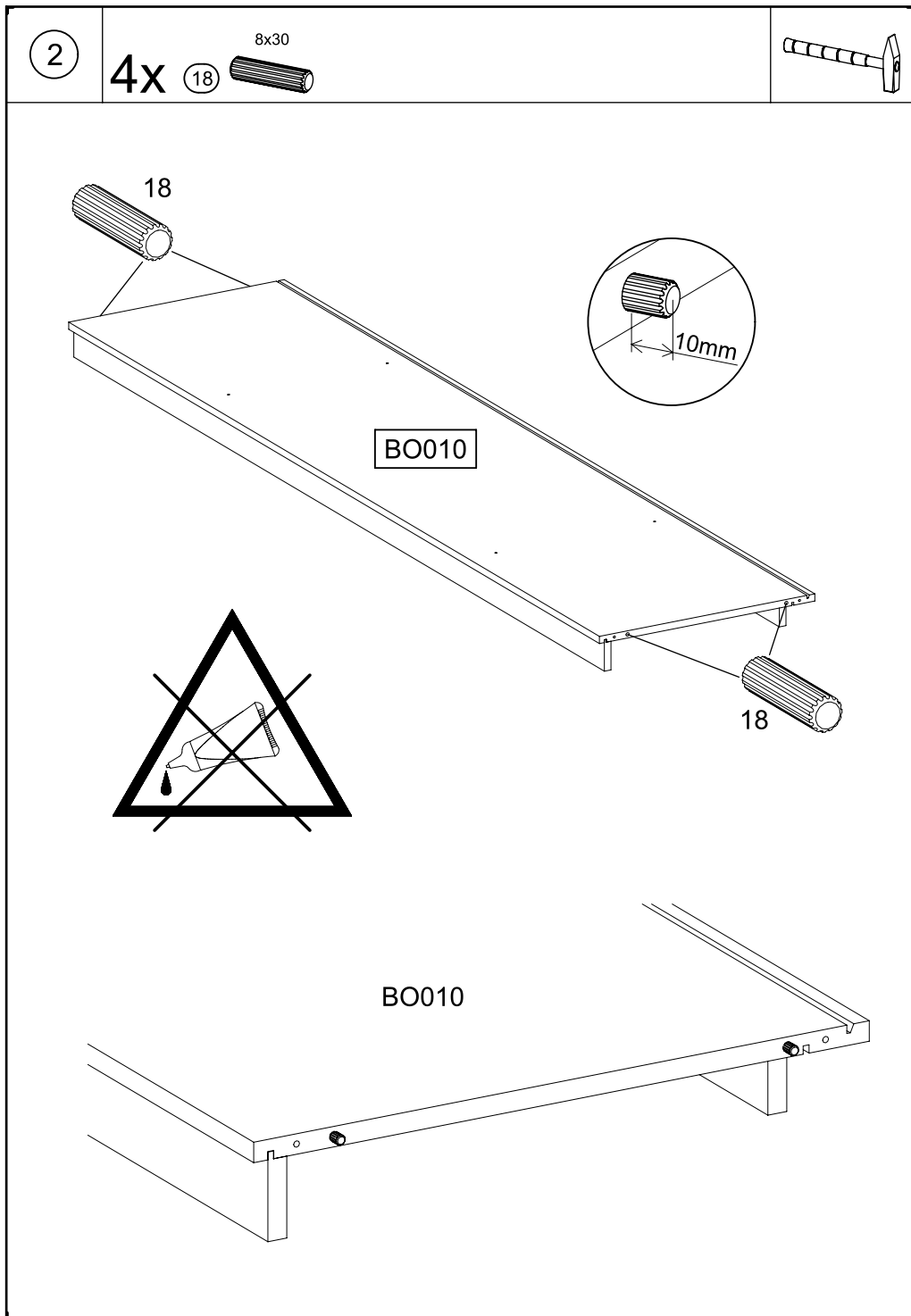


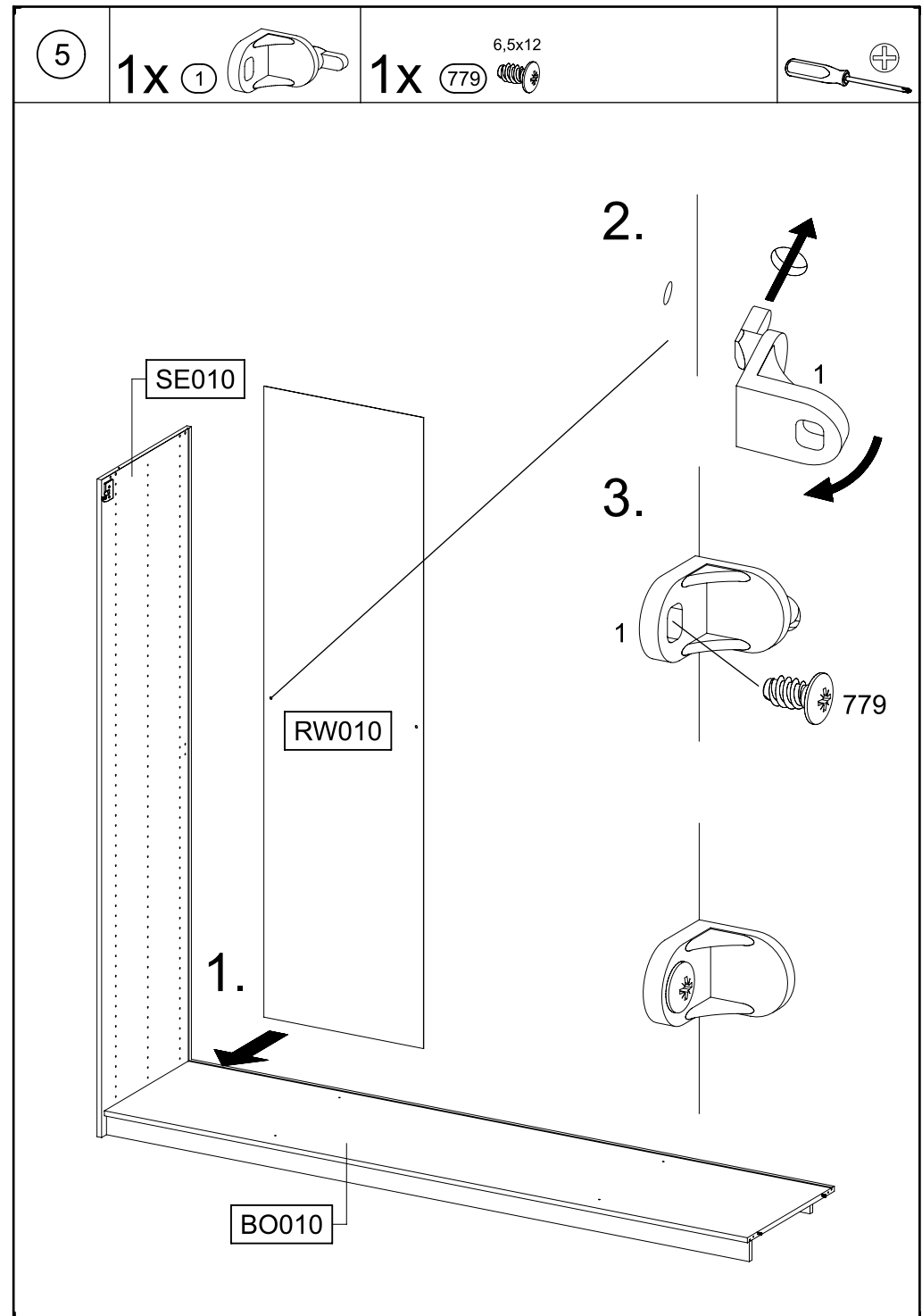
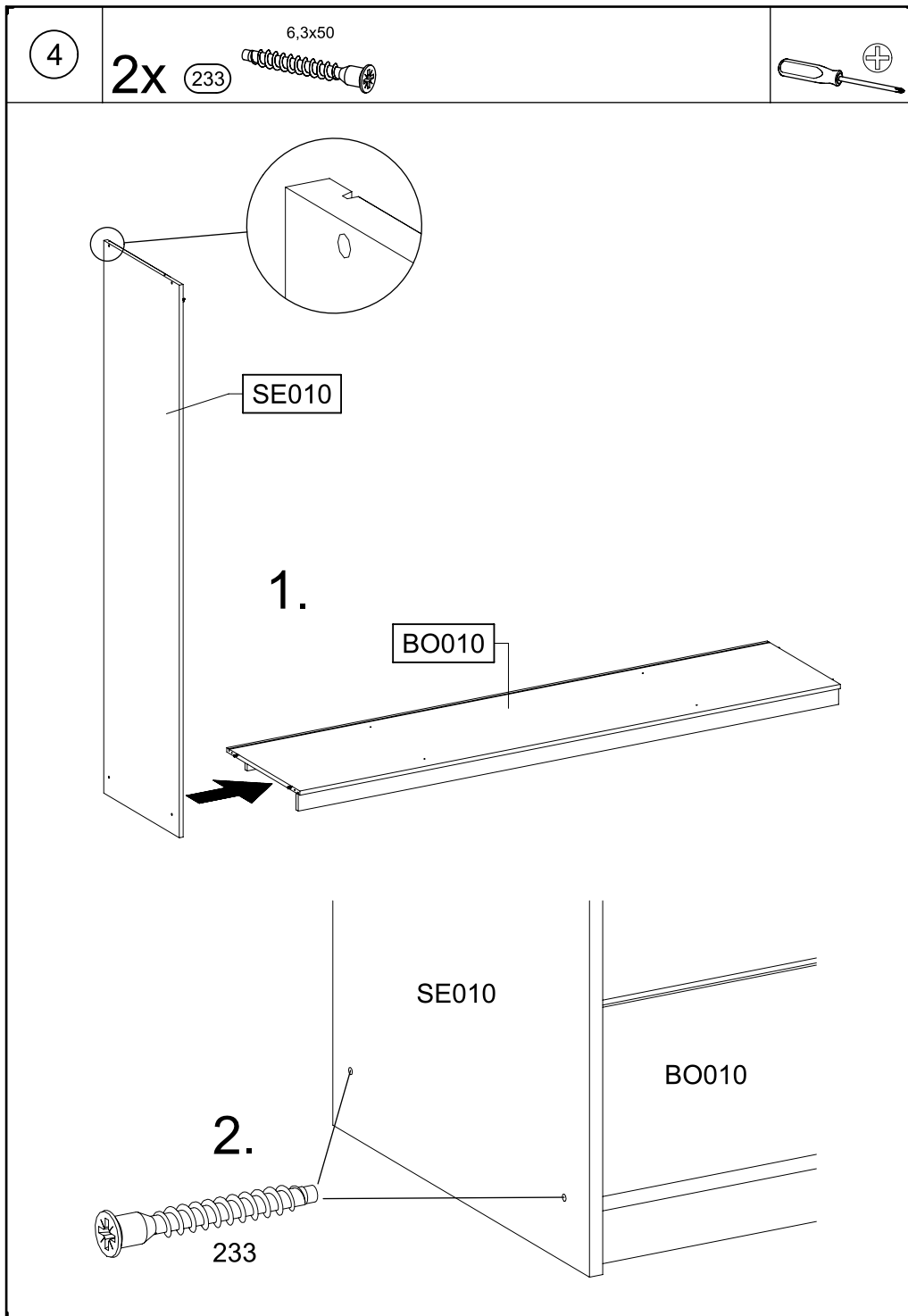
ØXmm

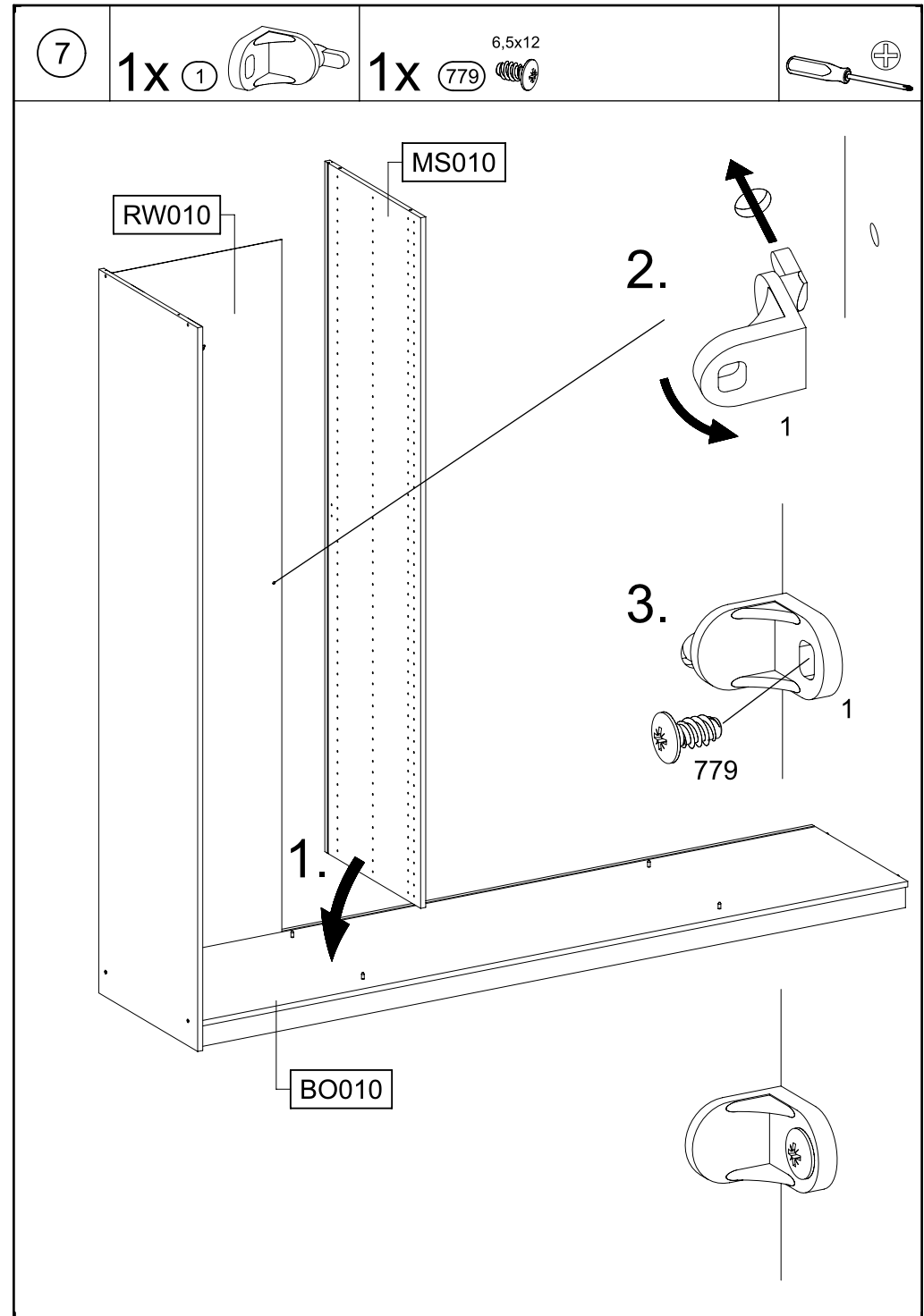
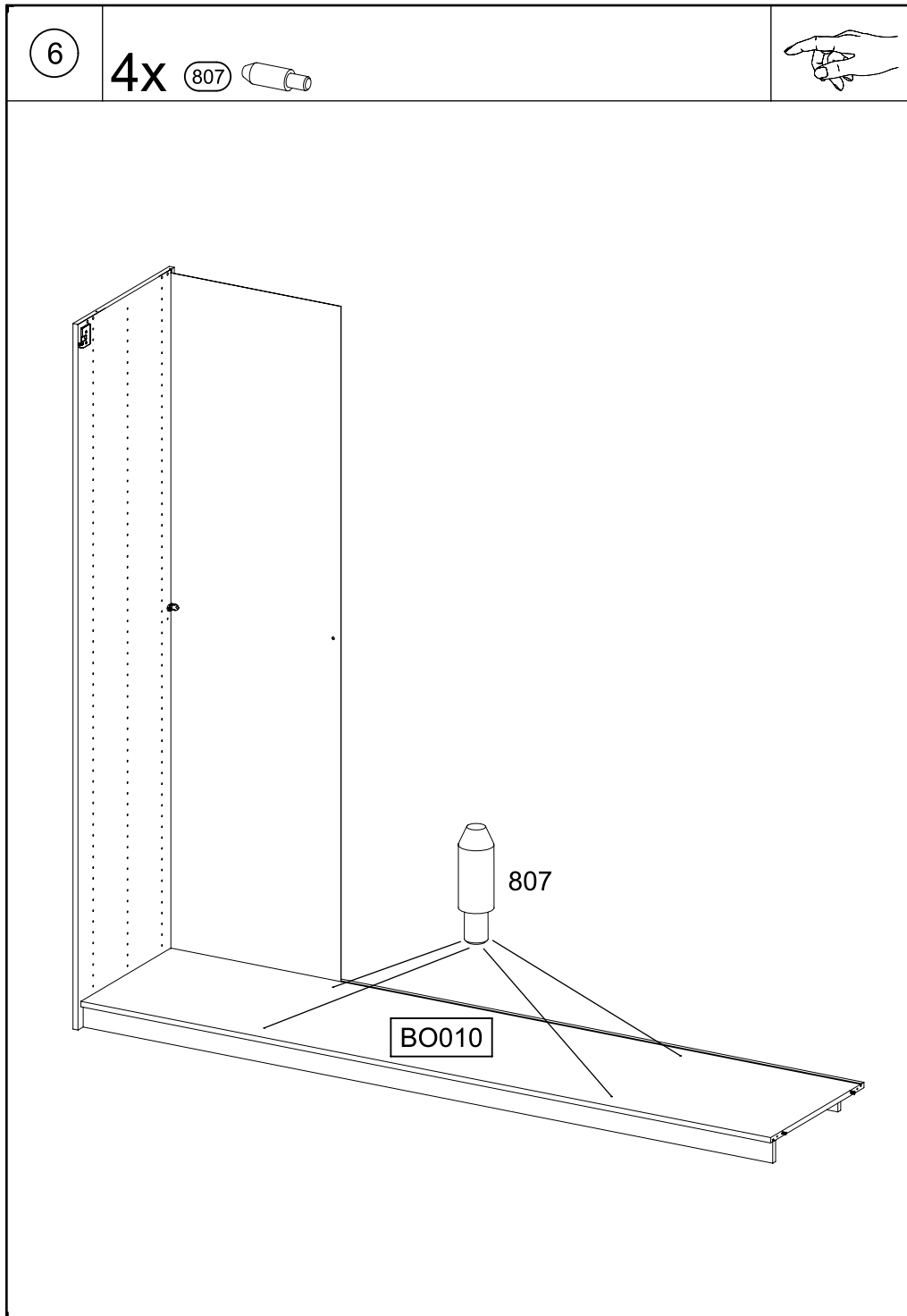


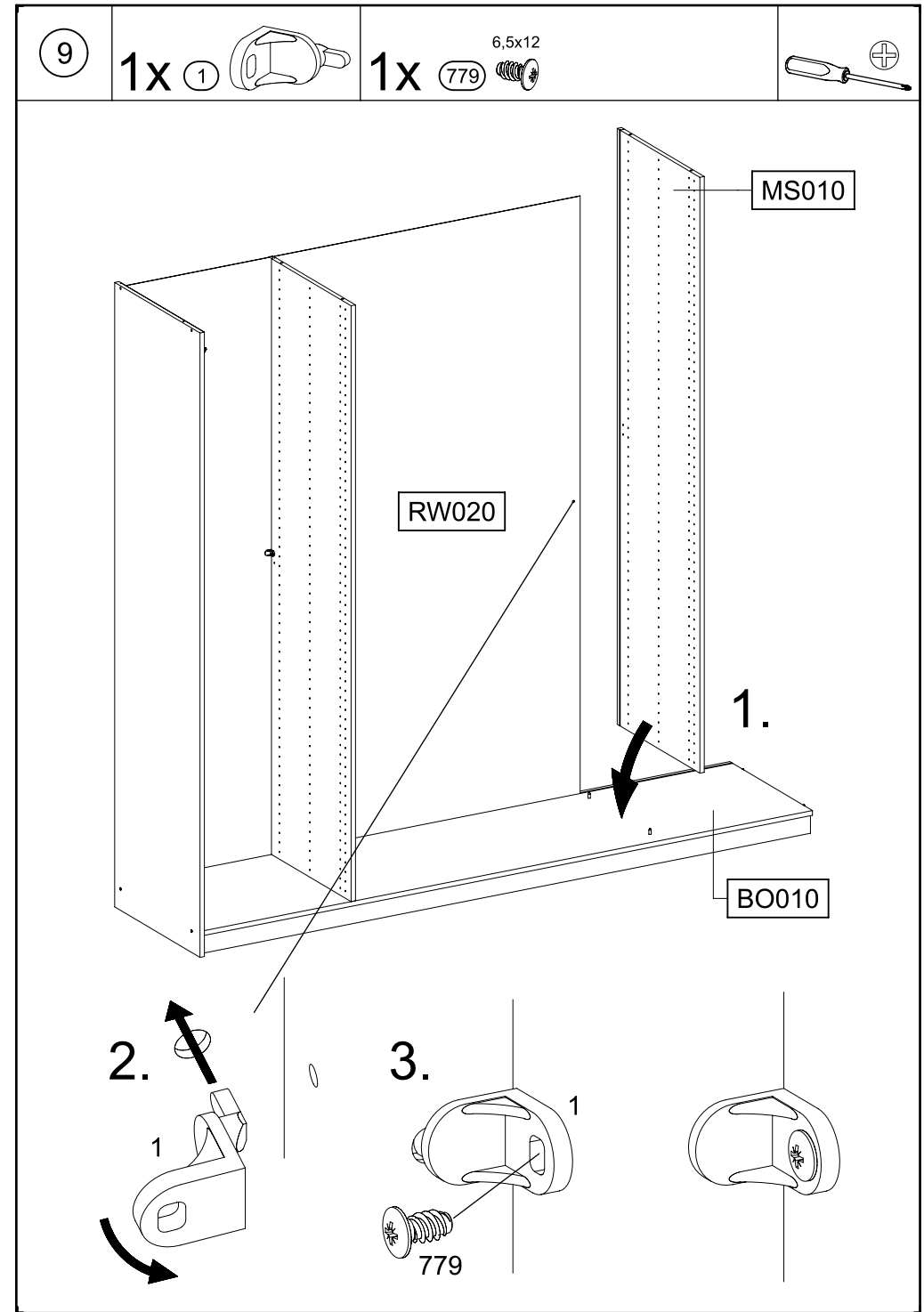
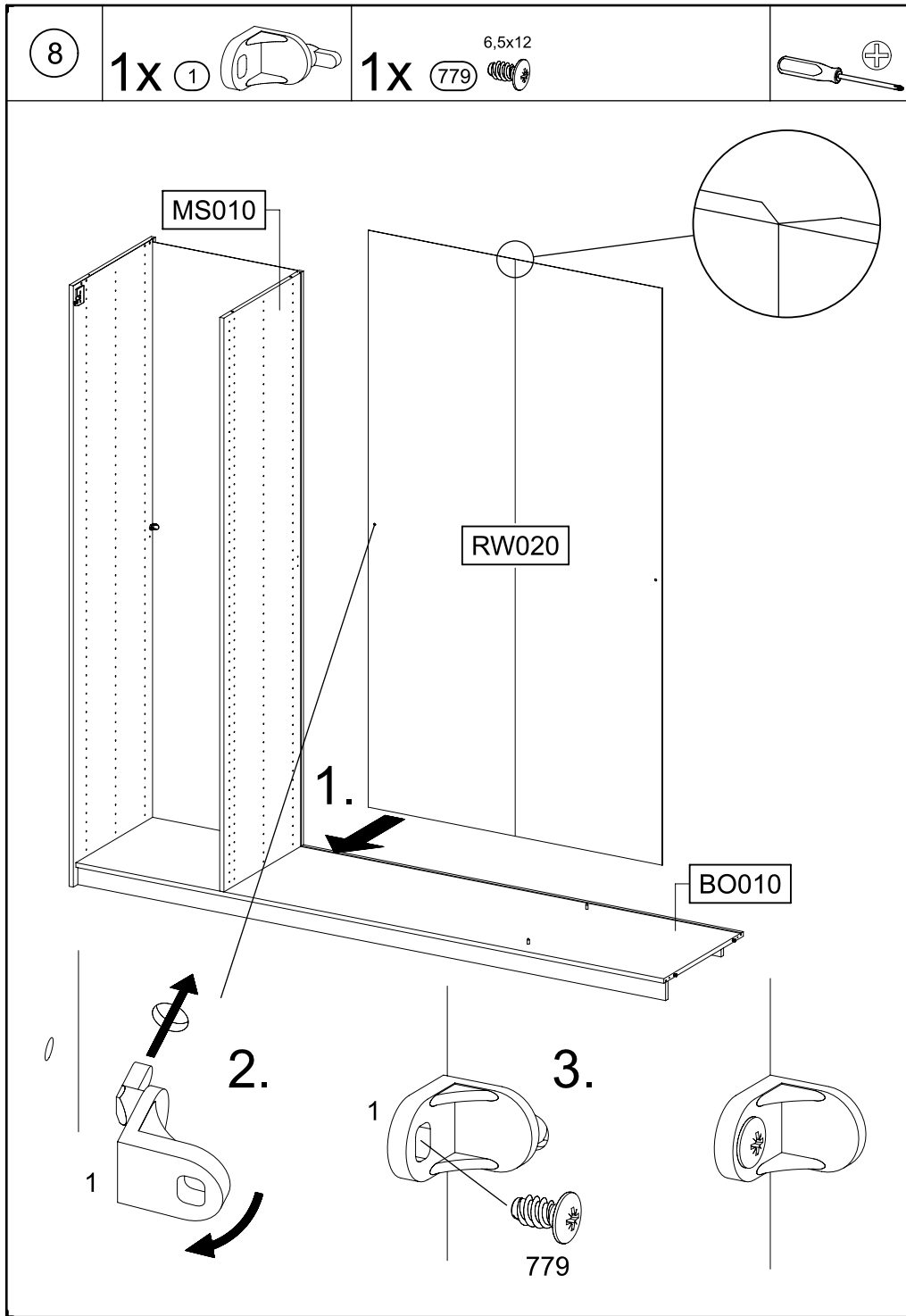


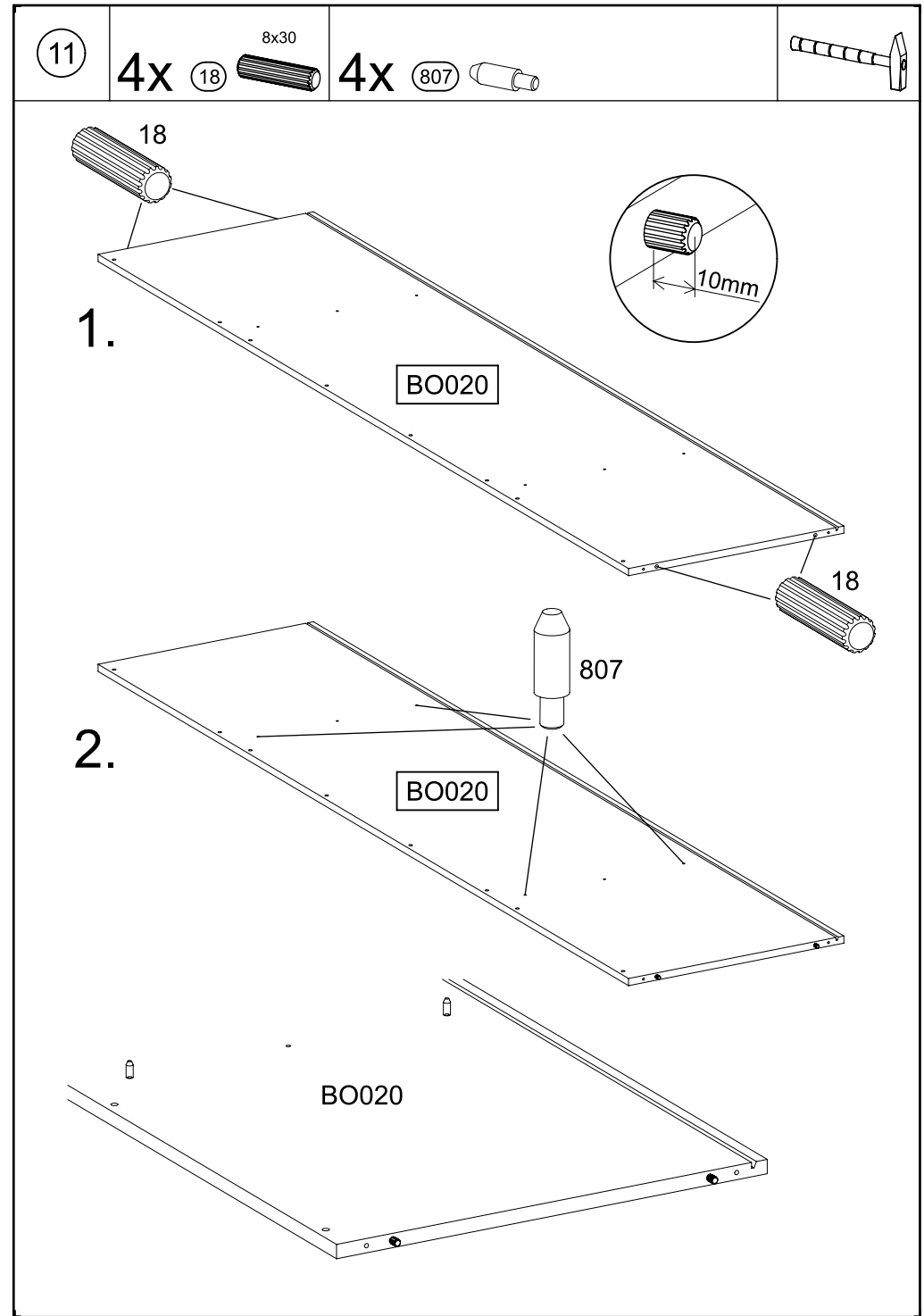
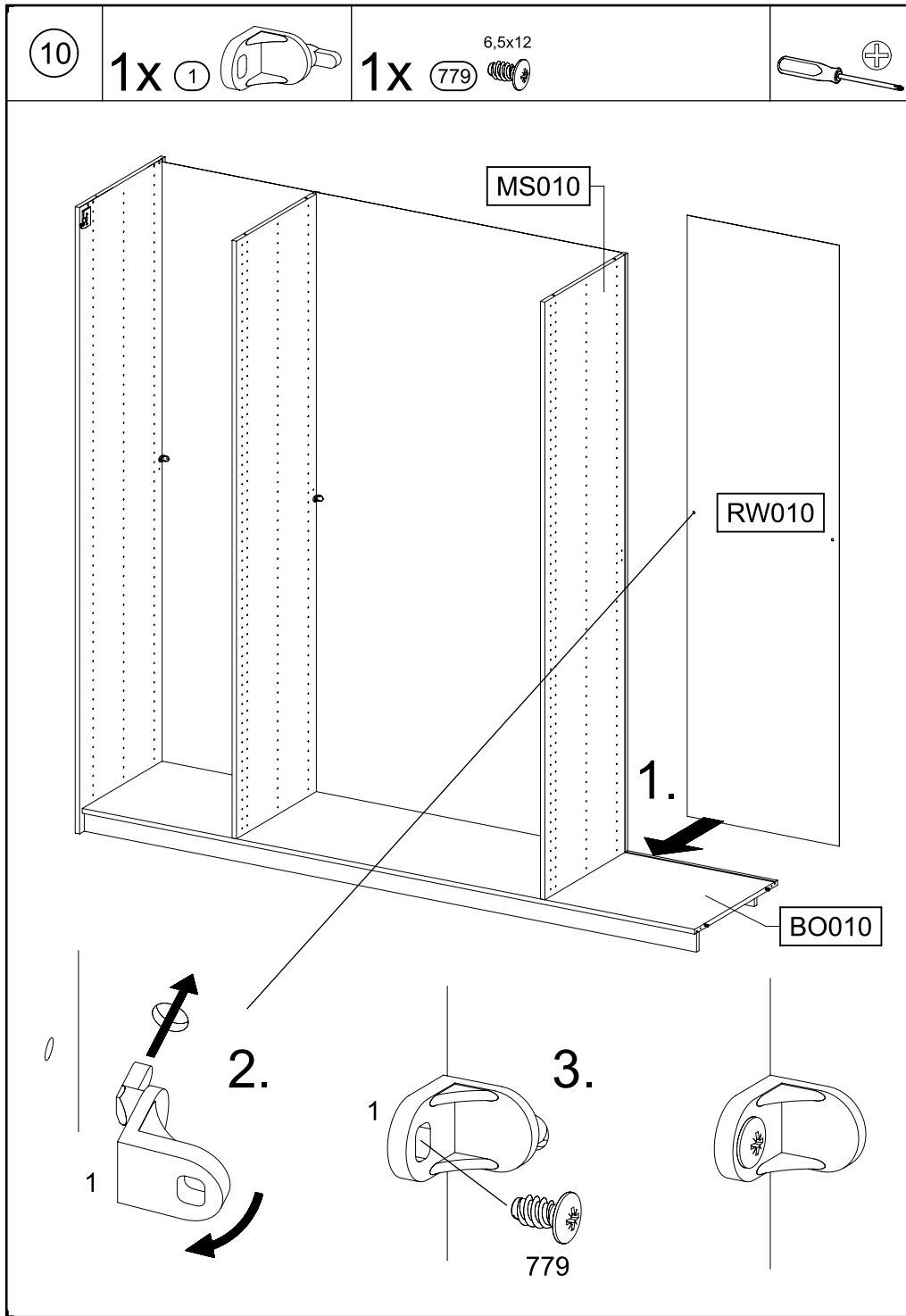












12

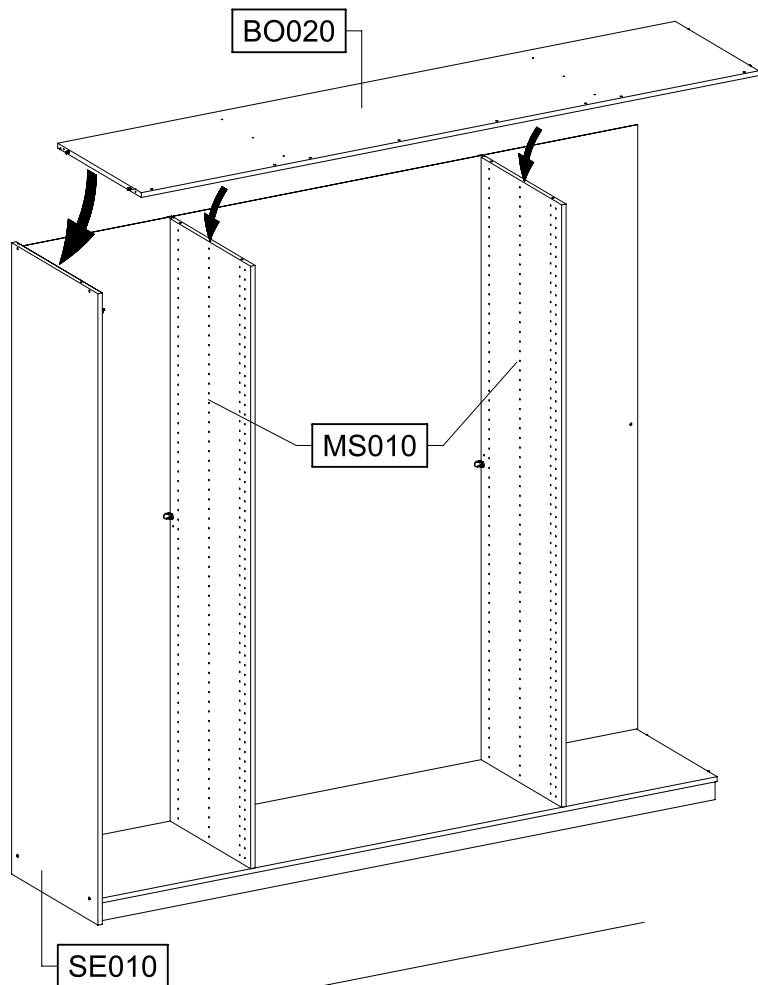
2x

233

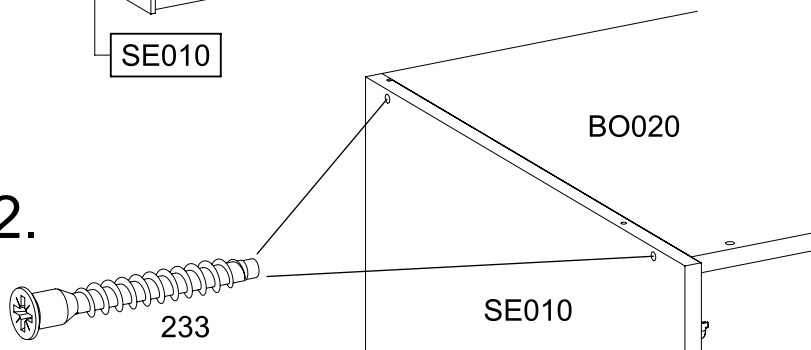
6,3x50



1.



2.

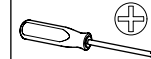
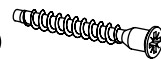


13

4x

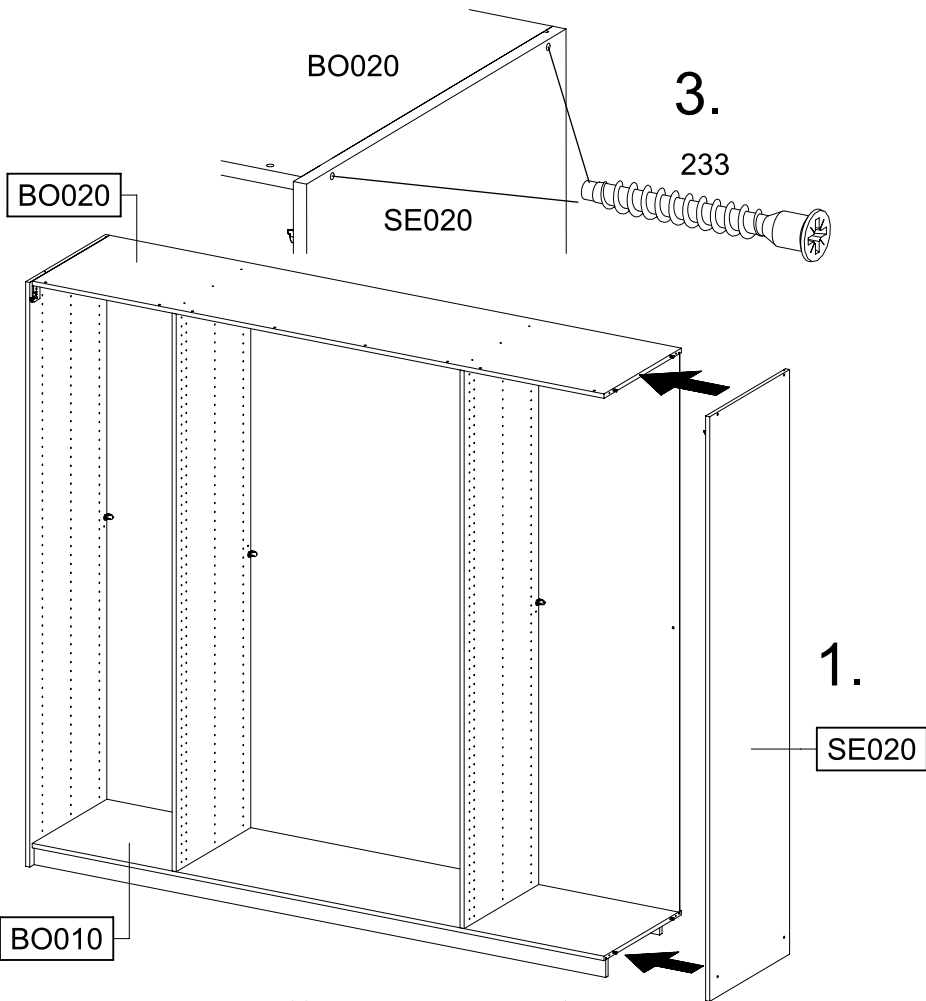
233

6,3x50



3.

233

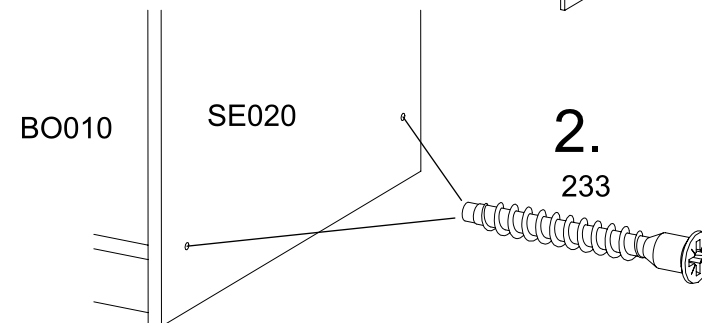


1.

SE020

2.

233



14

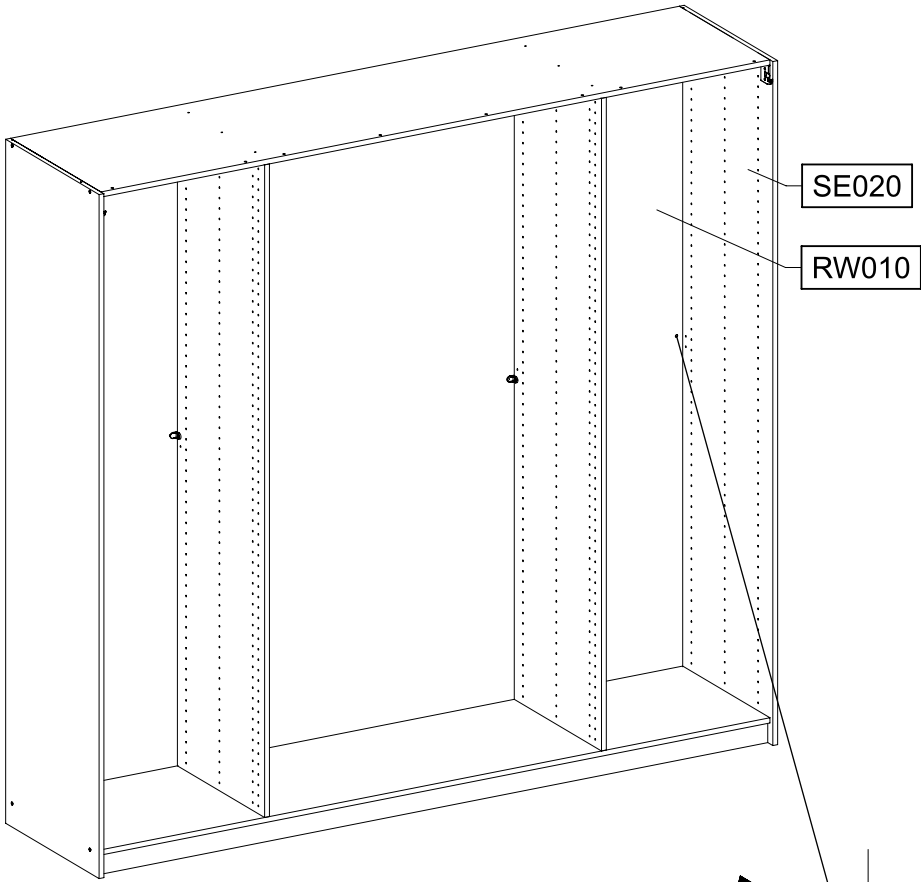
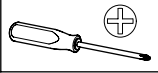
1x 1



1x

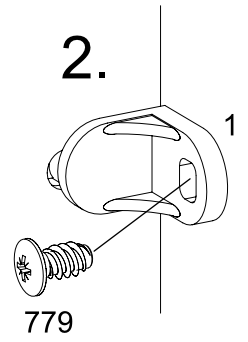
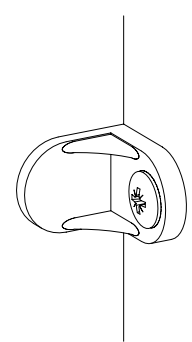
779

6,5x12

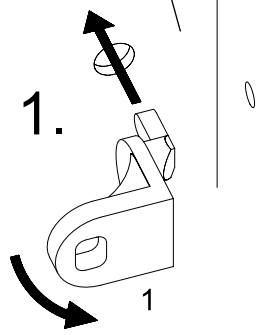


SE020

RW010



779



2.

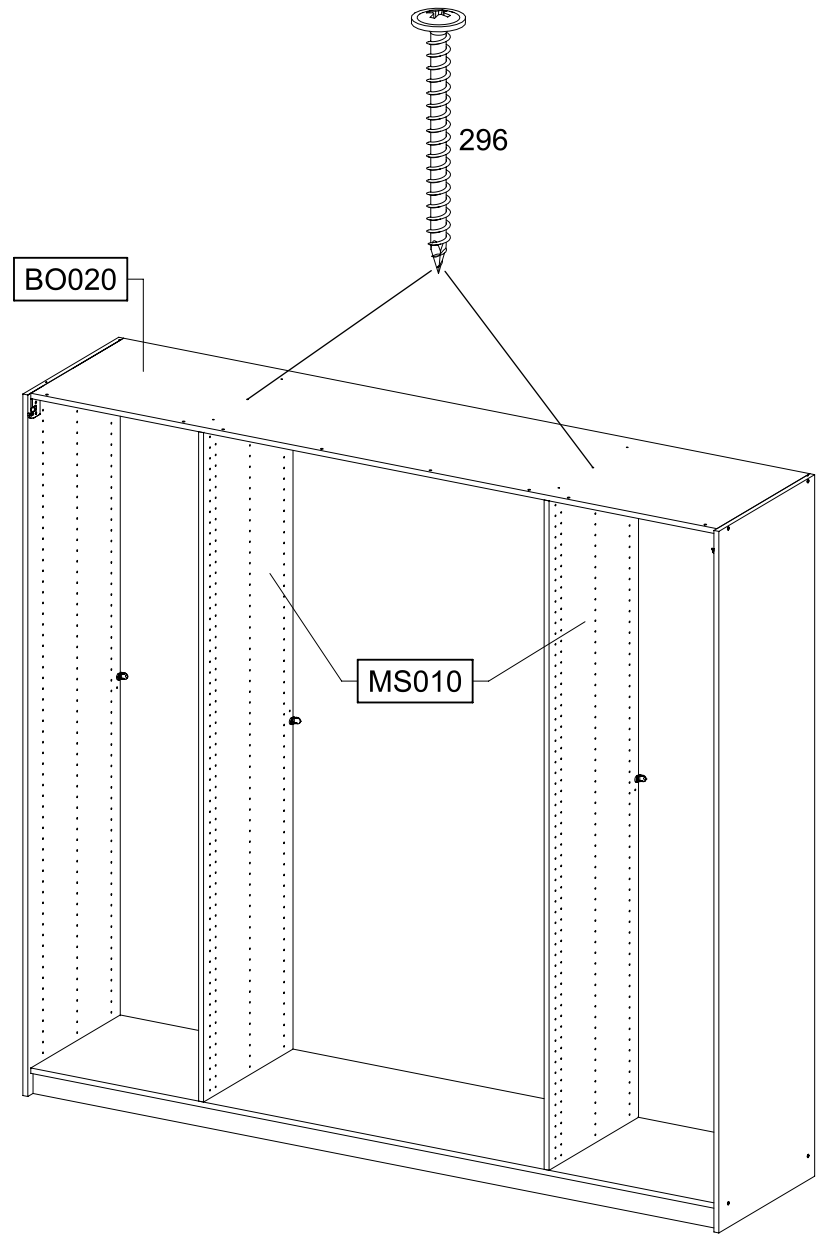
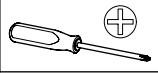
1.

15

2x

296

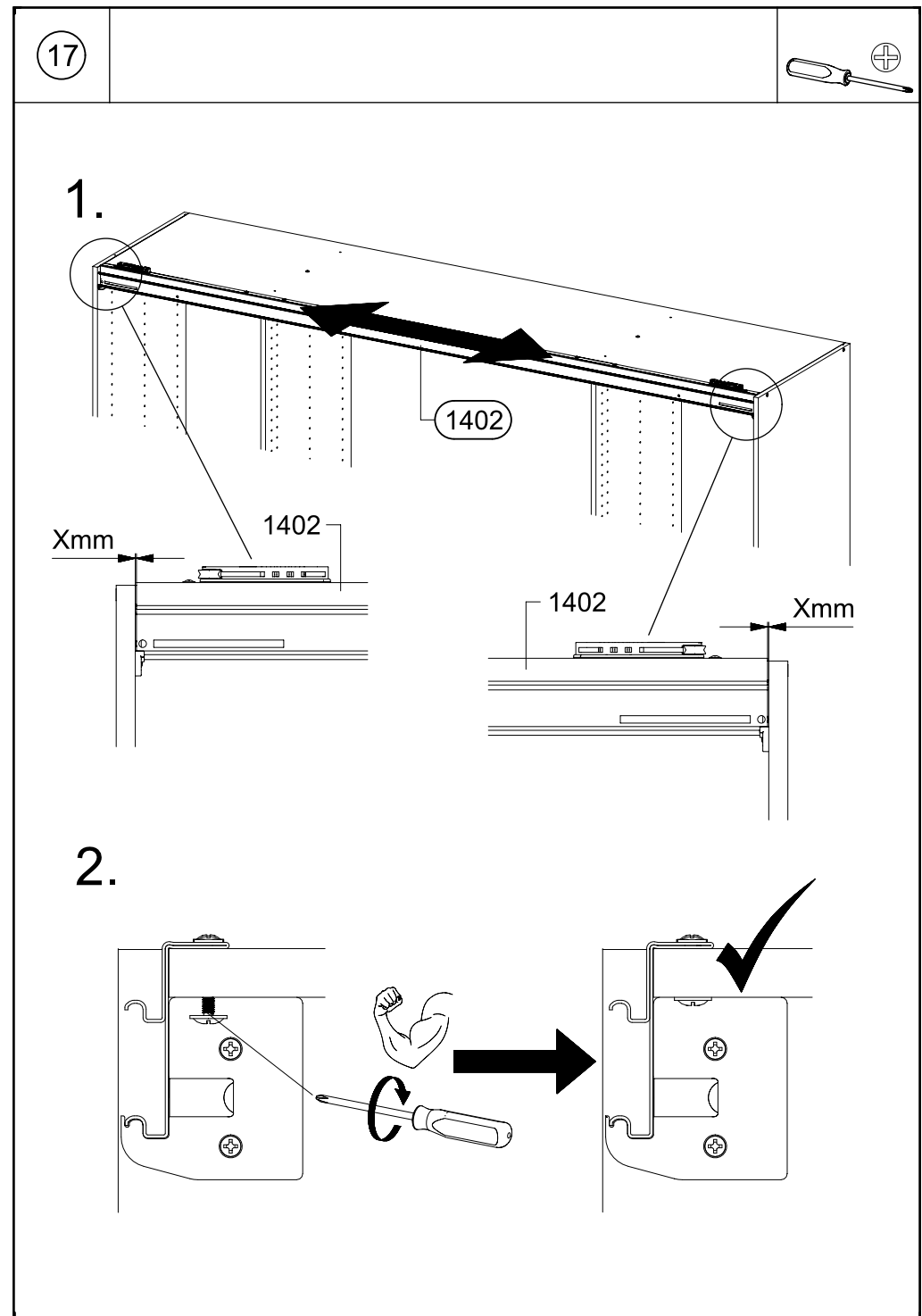
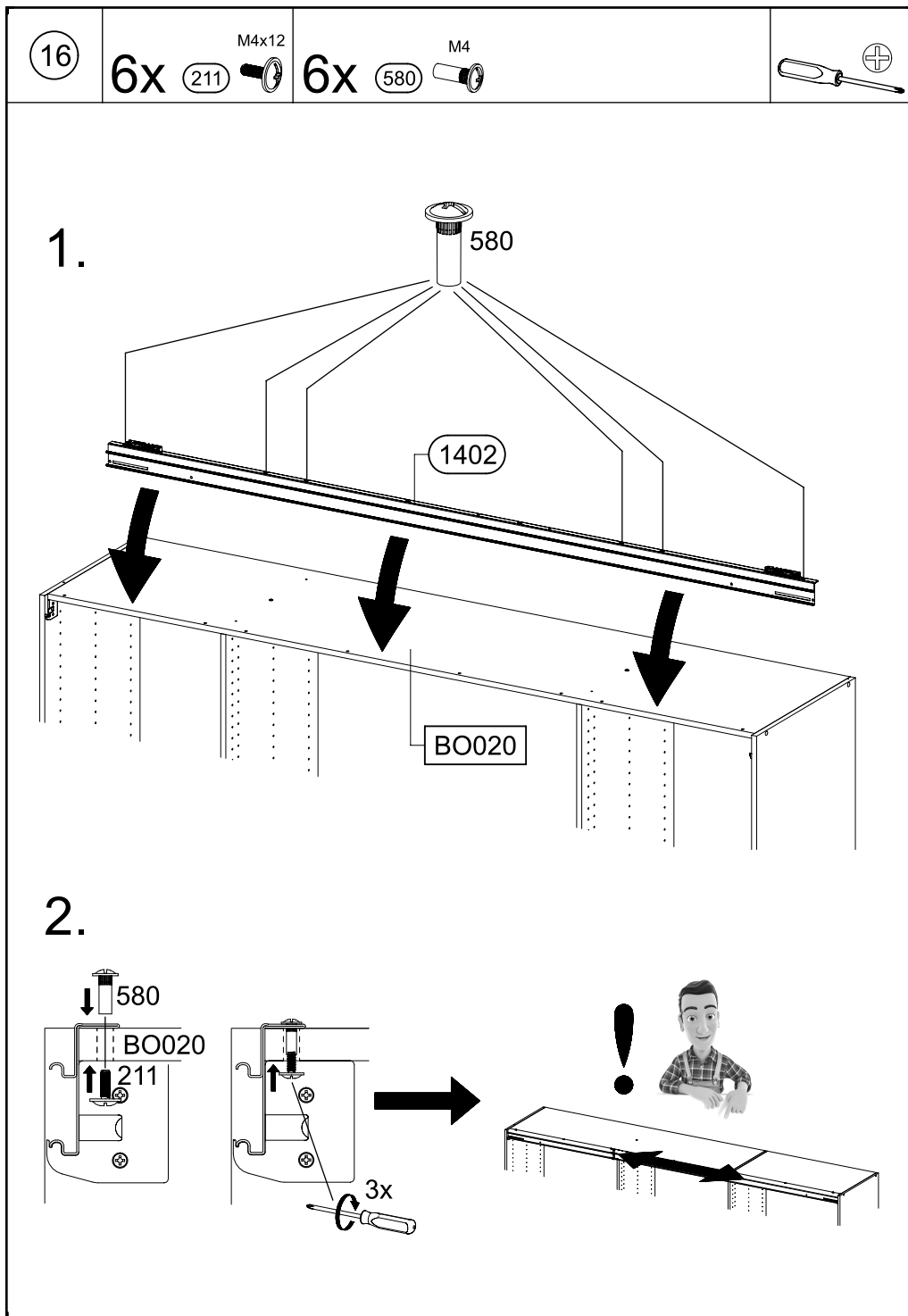
4,5x50

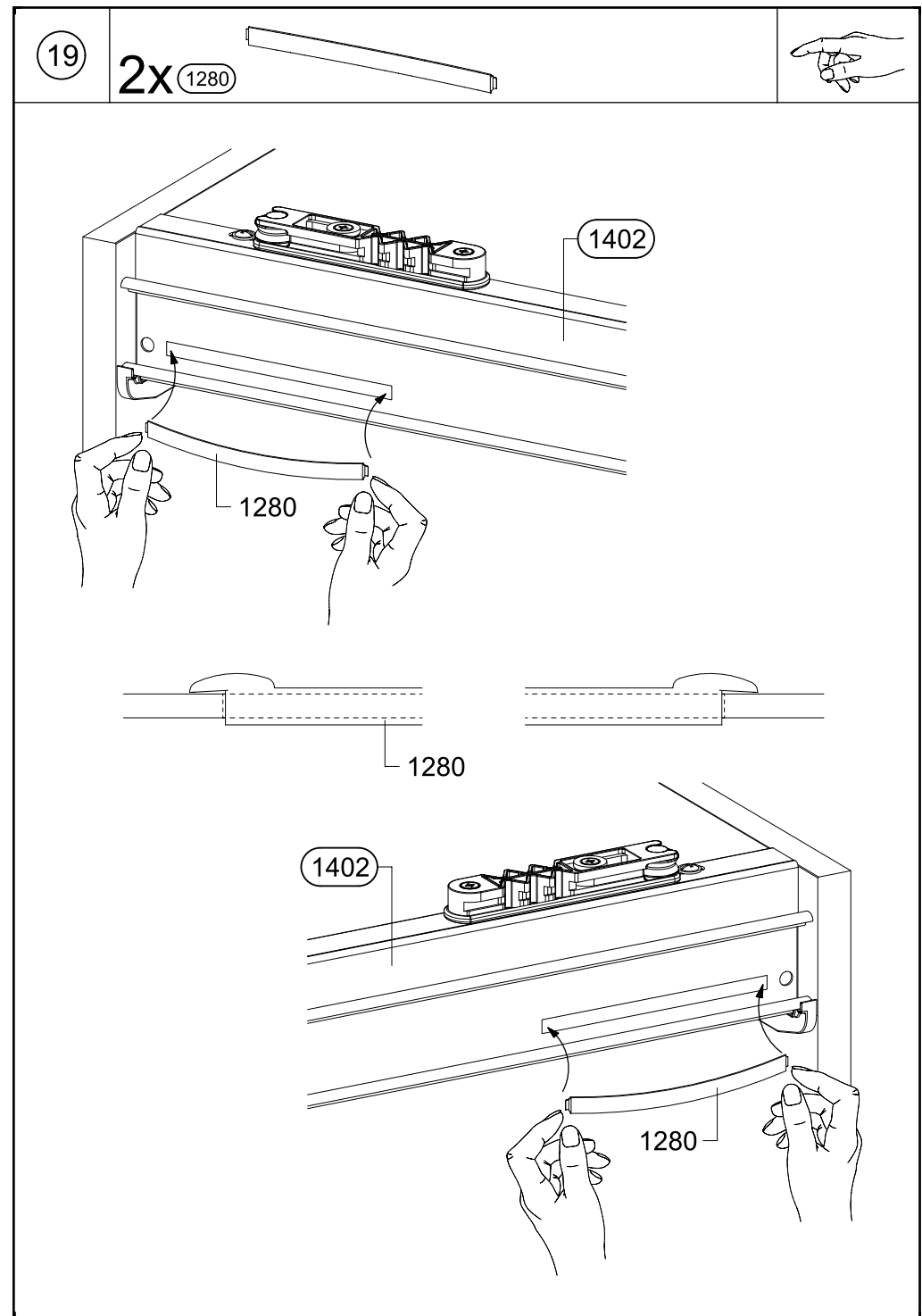
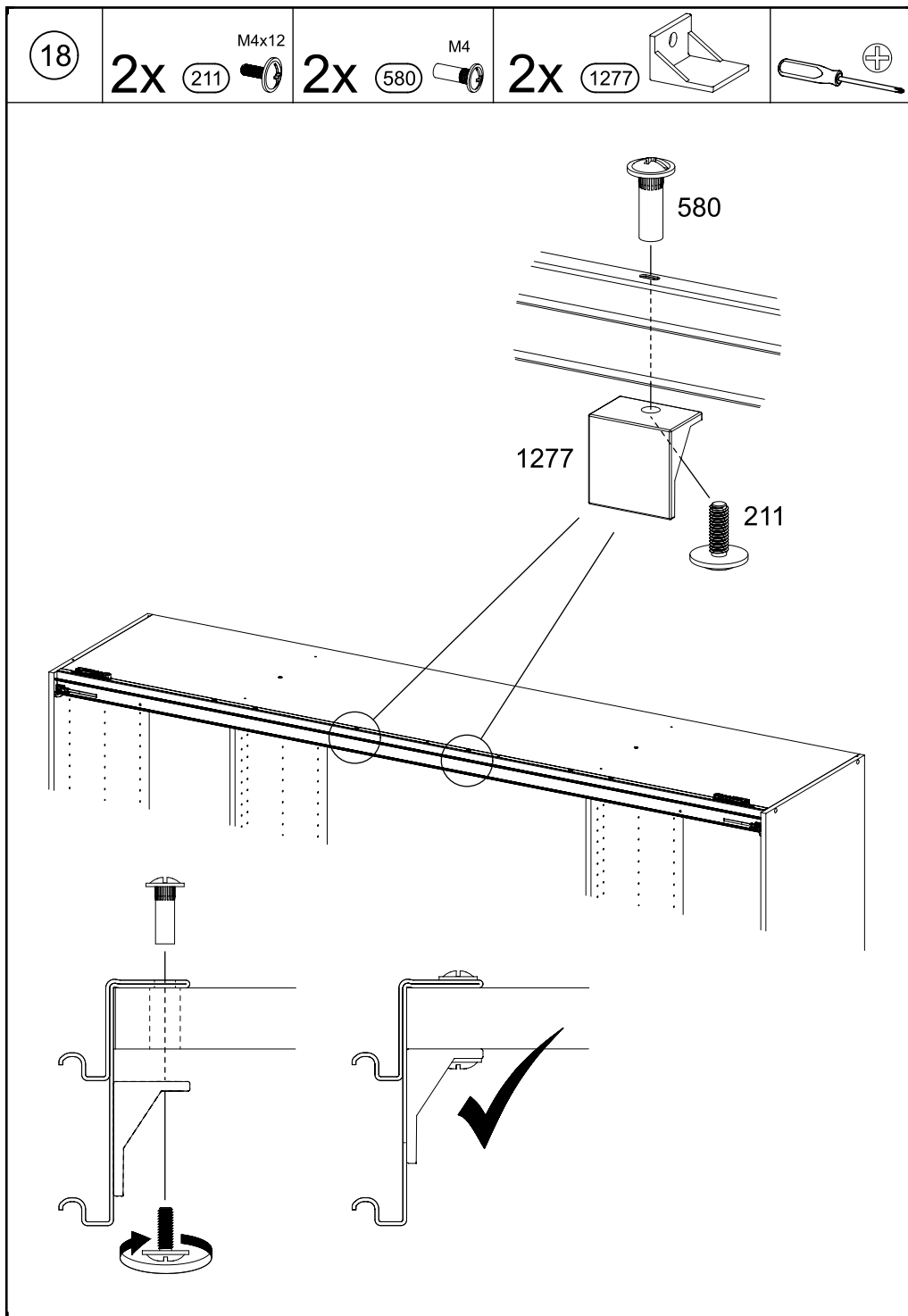


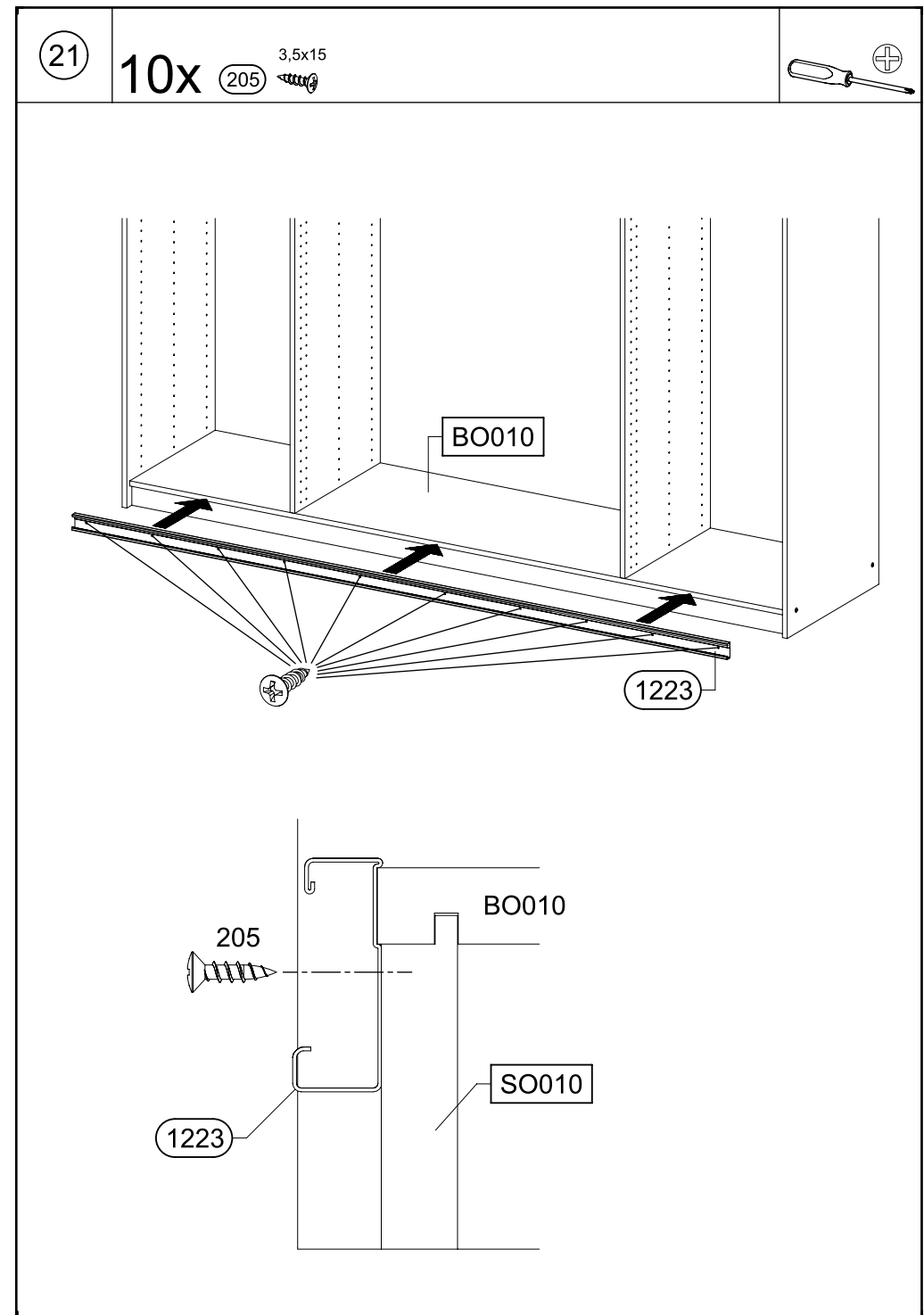
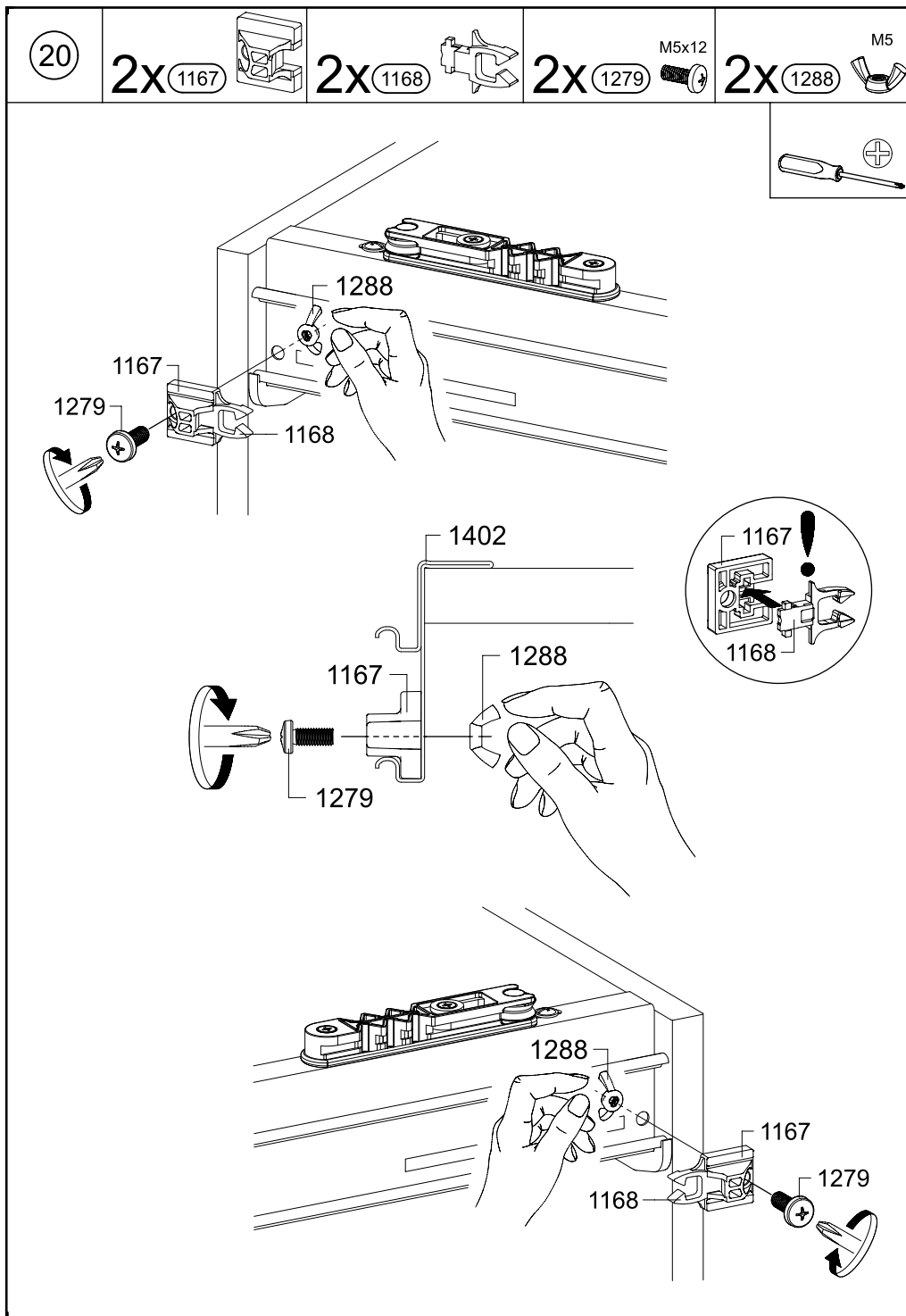
BO020

MS010

296





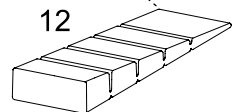
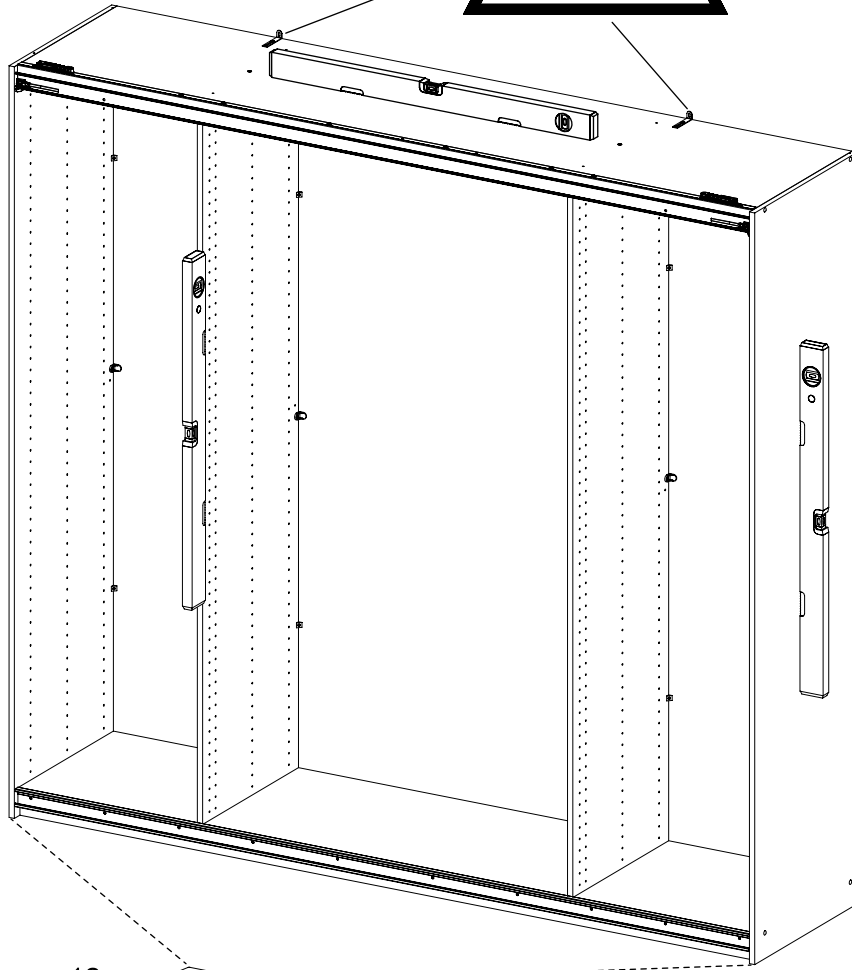
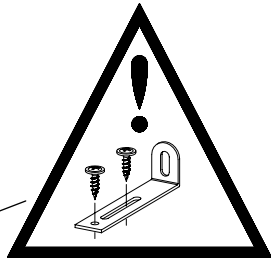
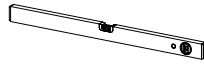


22

2x

12

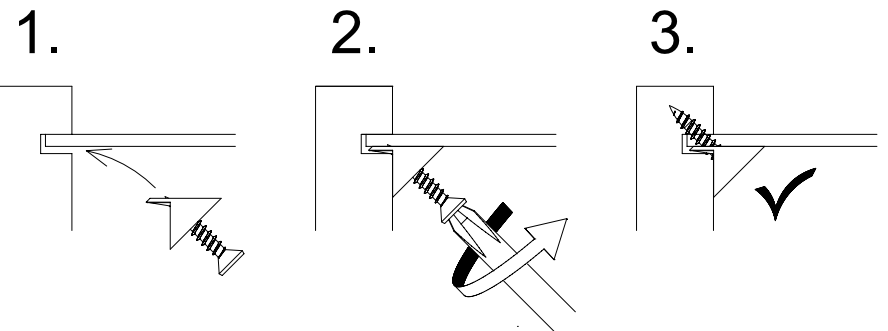
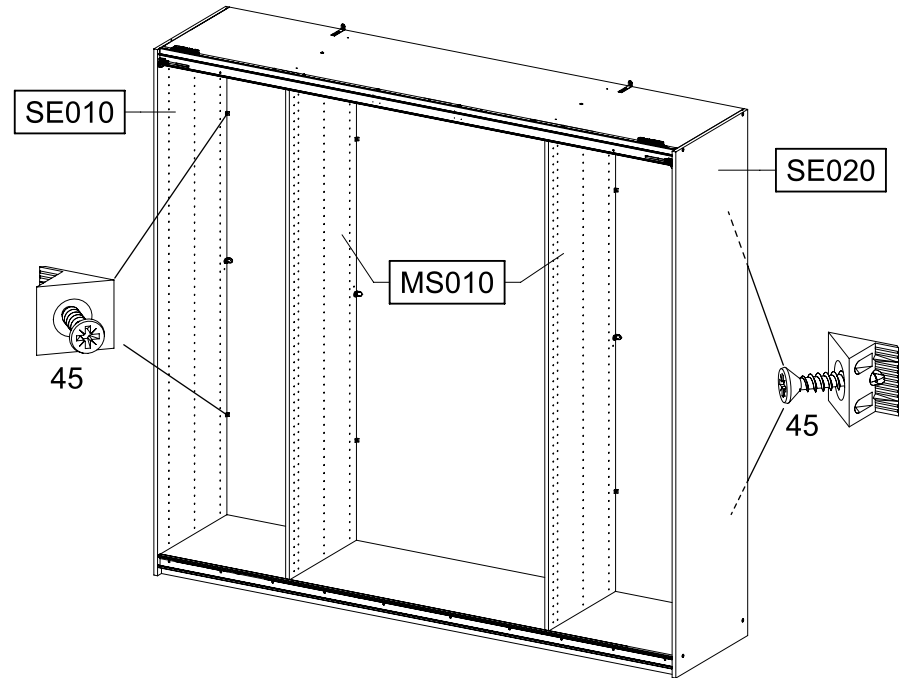
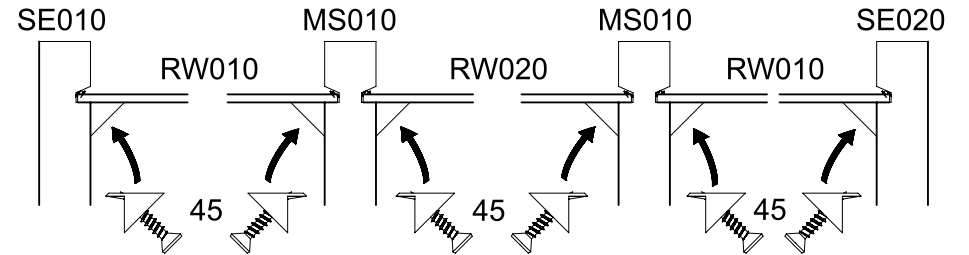
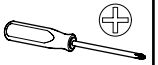
55x16x6,2



23

12x

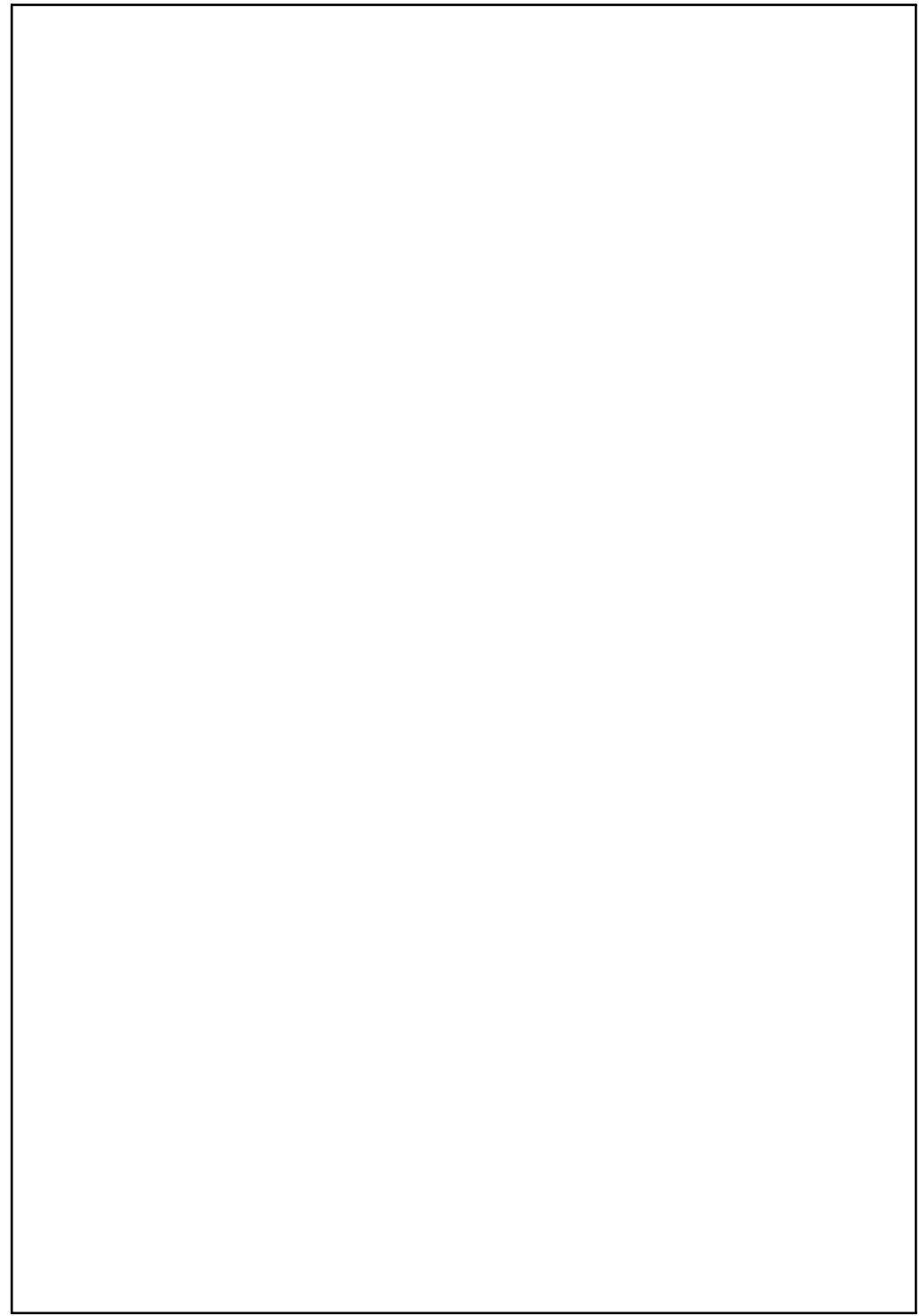
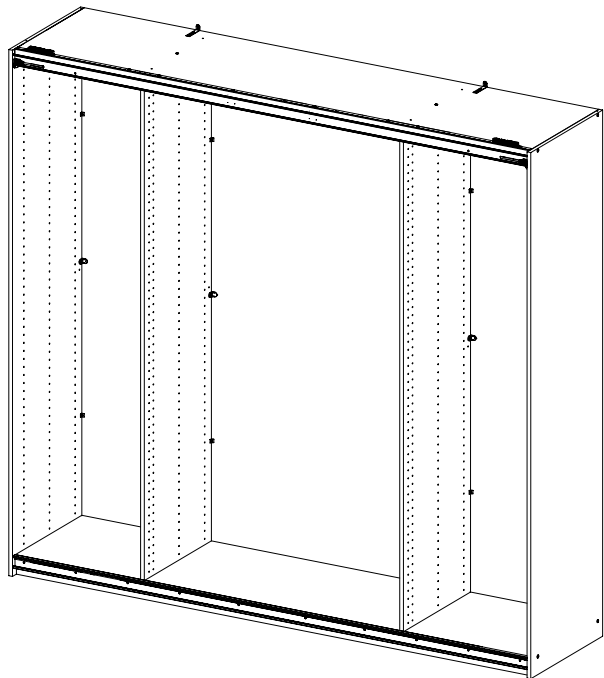
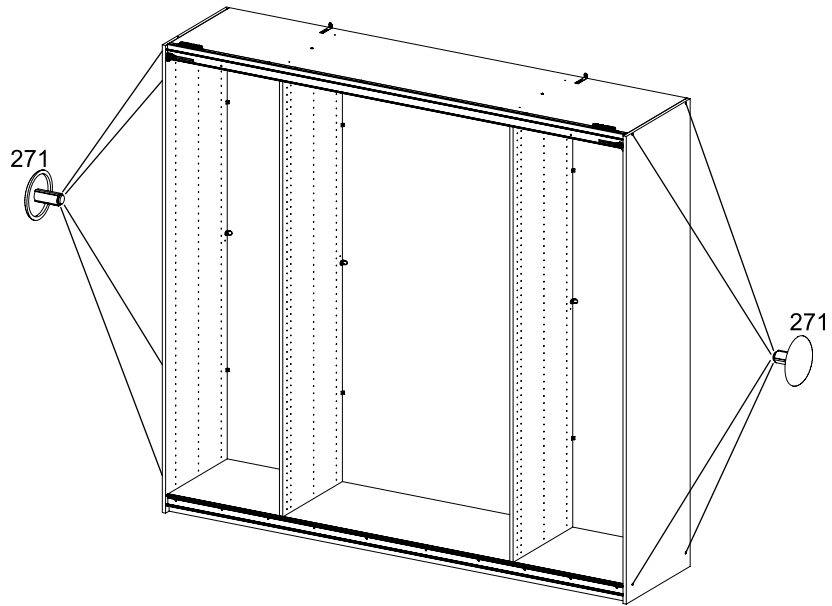
45



24

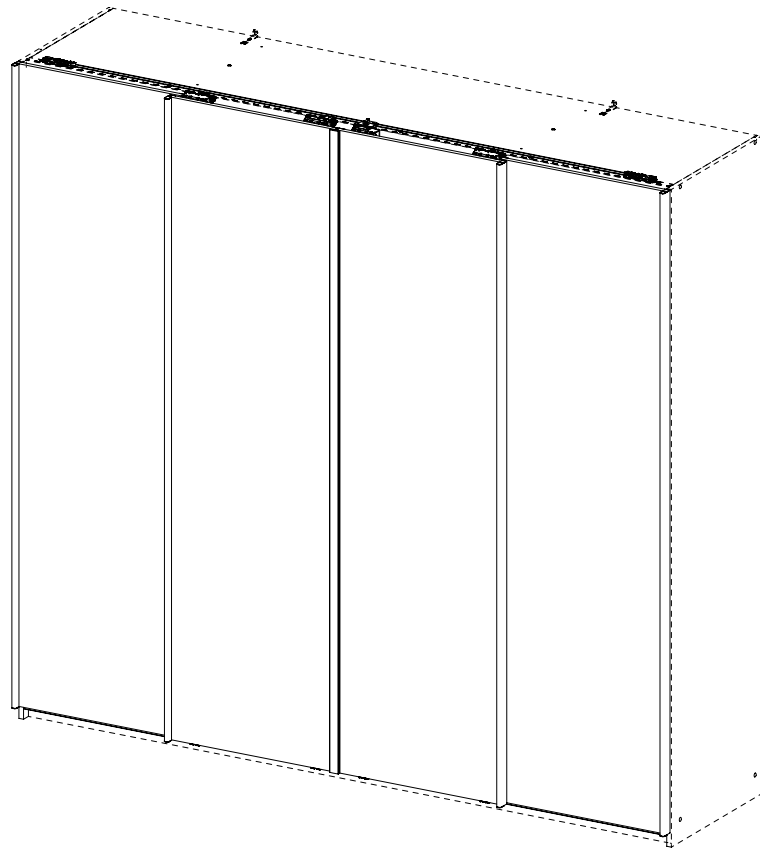
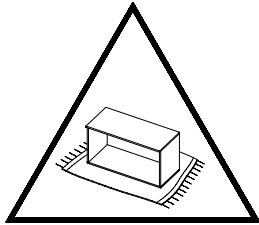
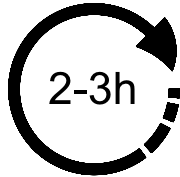
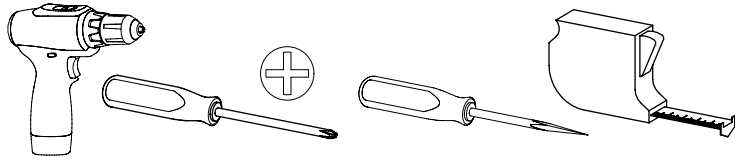
8x

271



1.

M9930_01

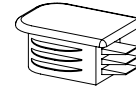


M9930

2.

8x

144



80x

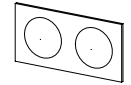
205

3,5x15



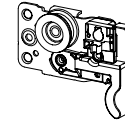
1x

391



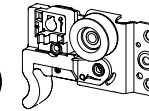
1x

1156



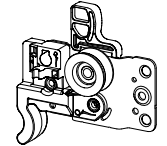
1x

1157



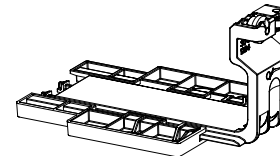
1x

1158



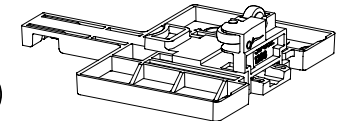
4x

1284



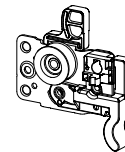
4x

1286



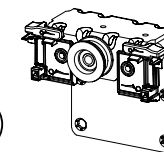
1x

1155



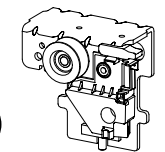
3x

1401



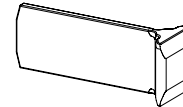
1x

1294



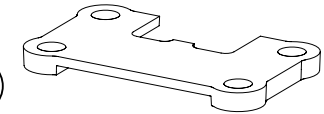
2x

1202



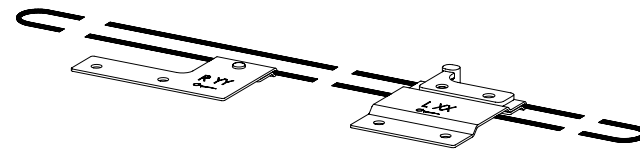
1x

1203



1x

1356



4x

1180

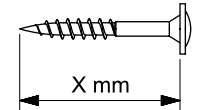
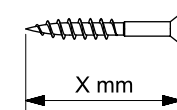
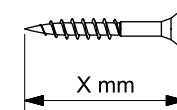
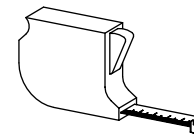
M4x6



48x

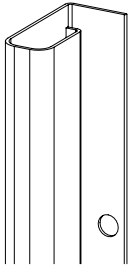
1173

6,3x14



M9930

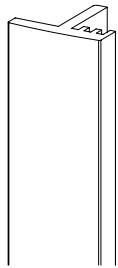
GL010



PR010

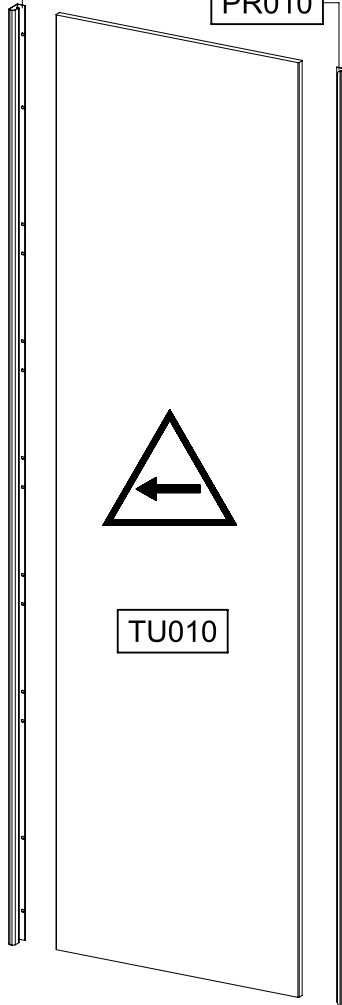


LE010



GL010

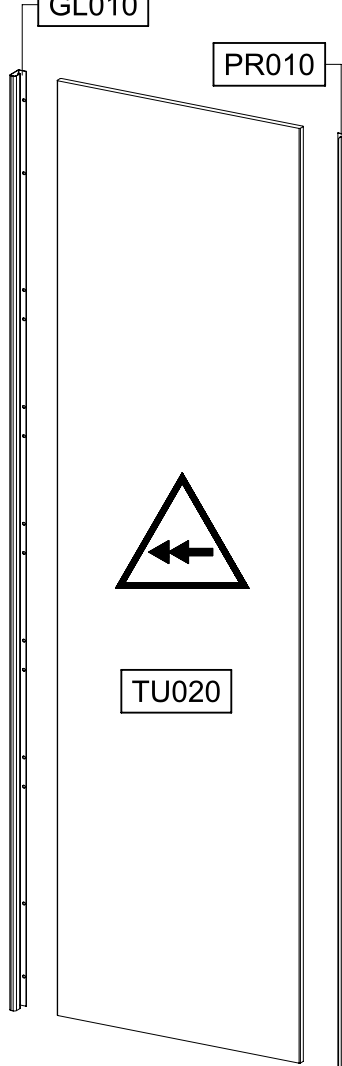
PR010



TU010

GL010

PR010

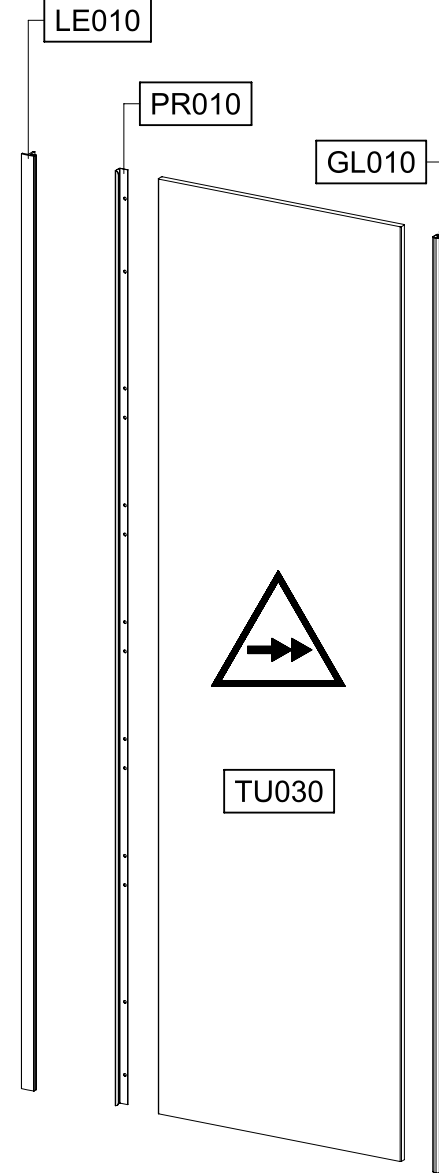


TU020

LE010

PR010

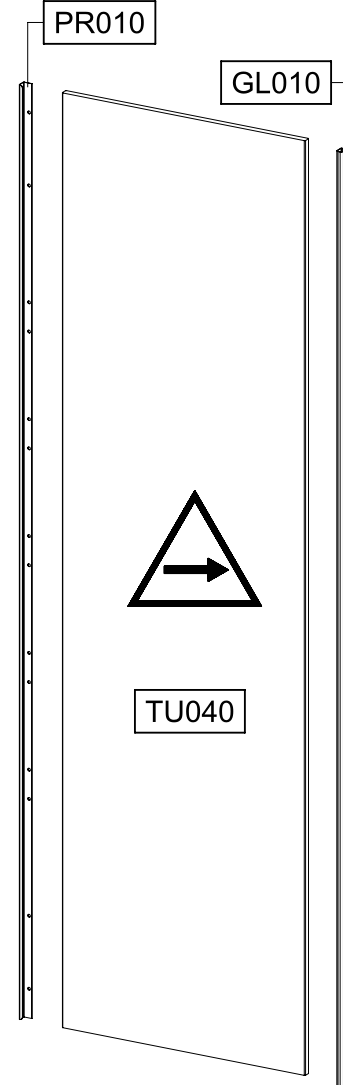
GL010



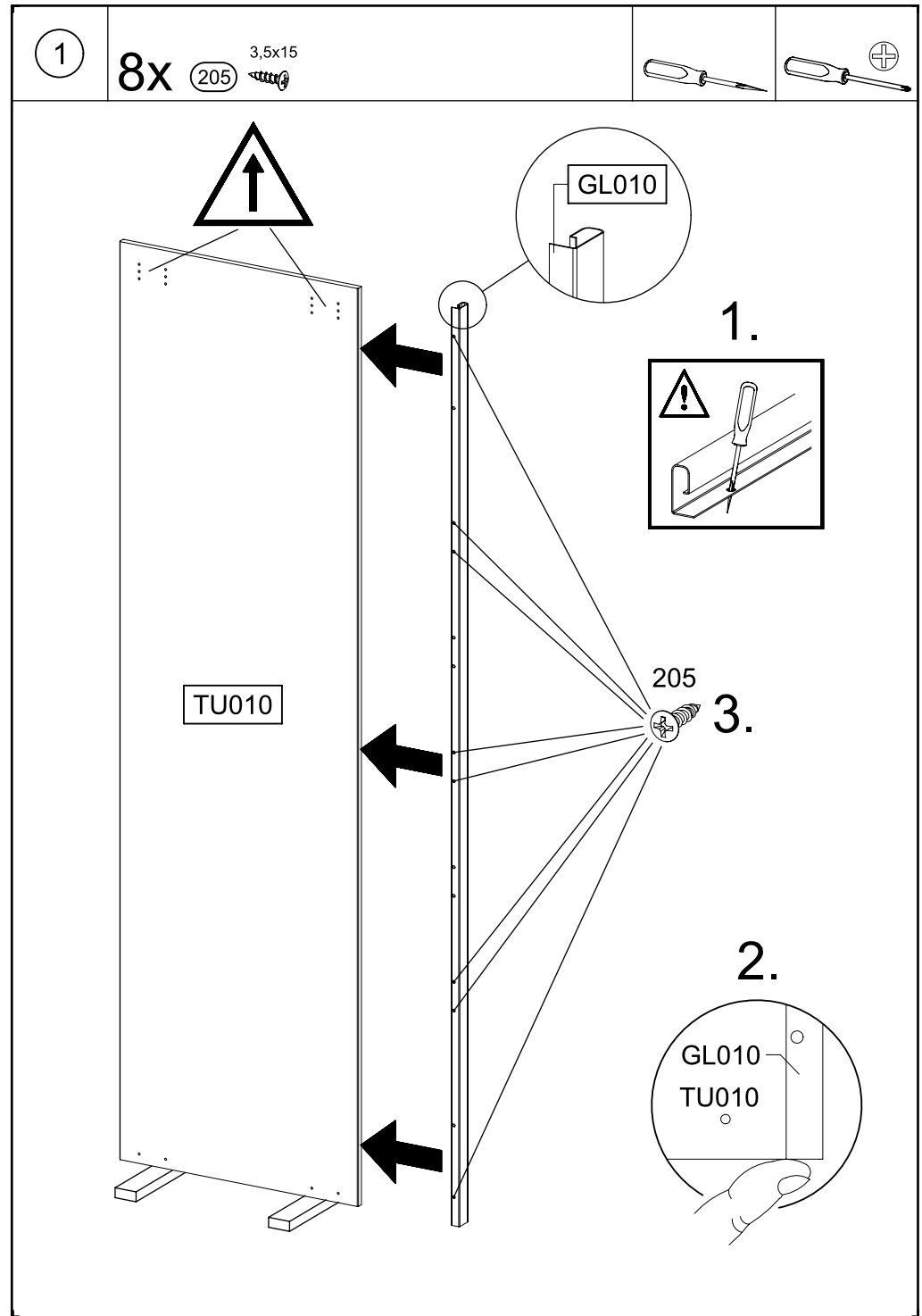
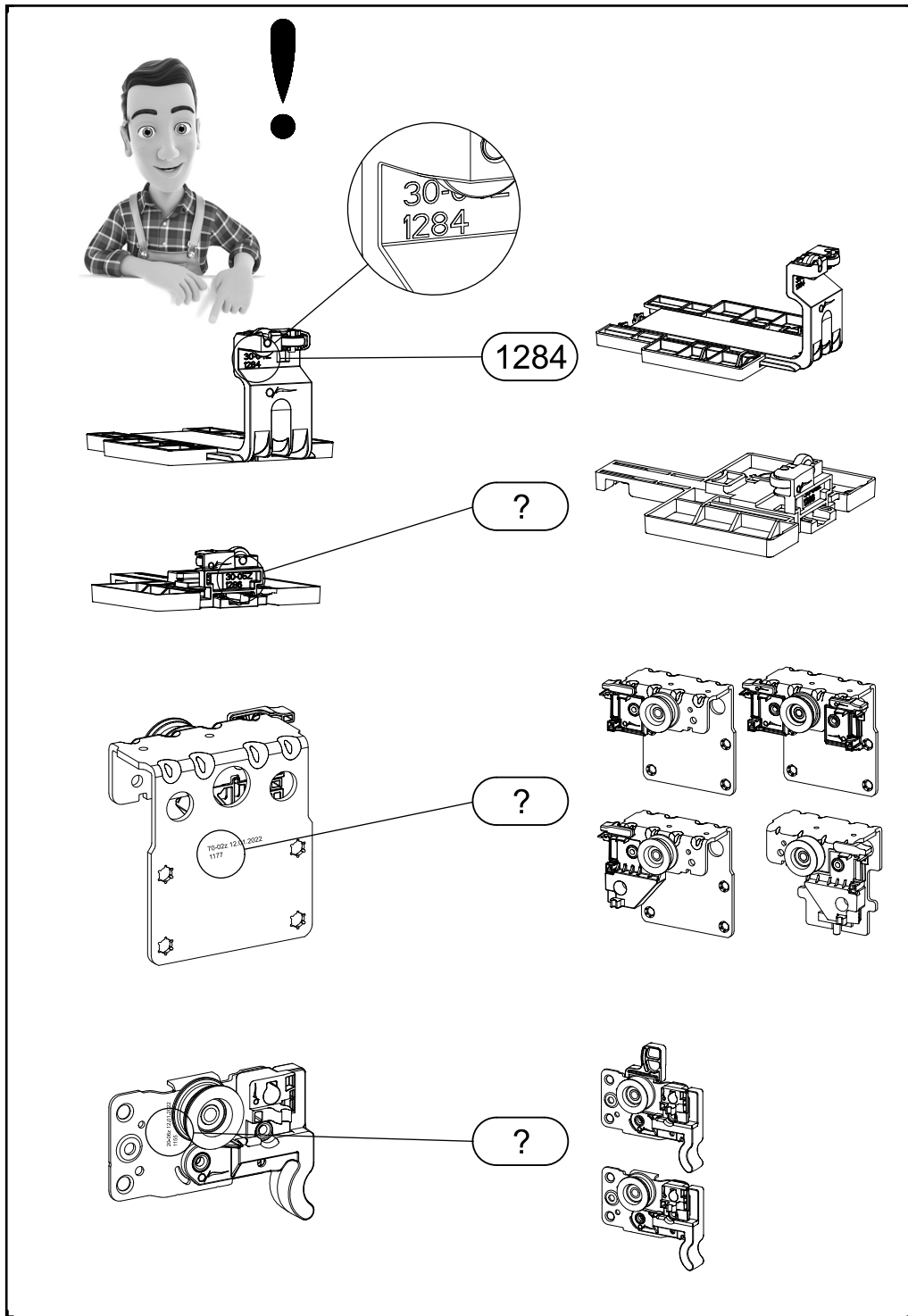
TU030

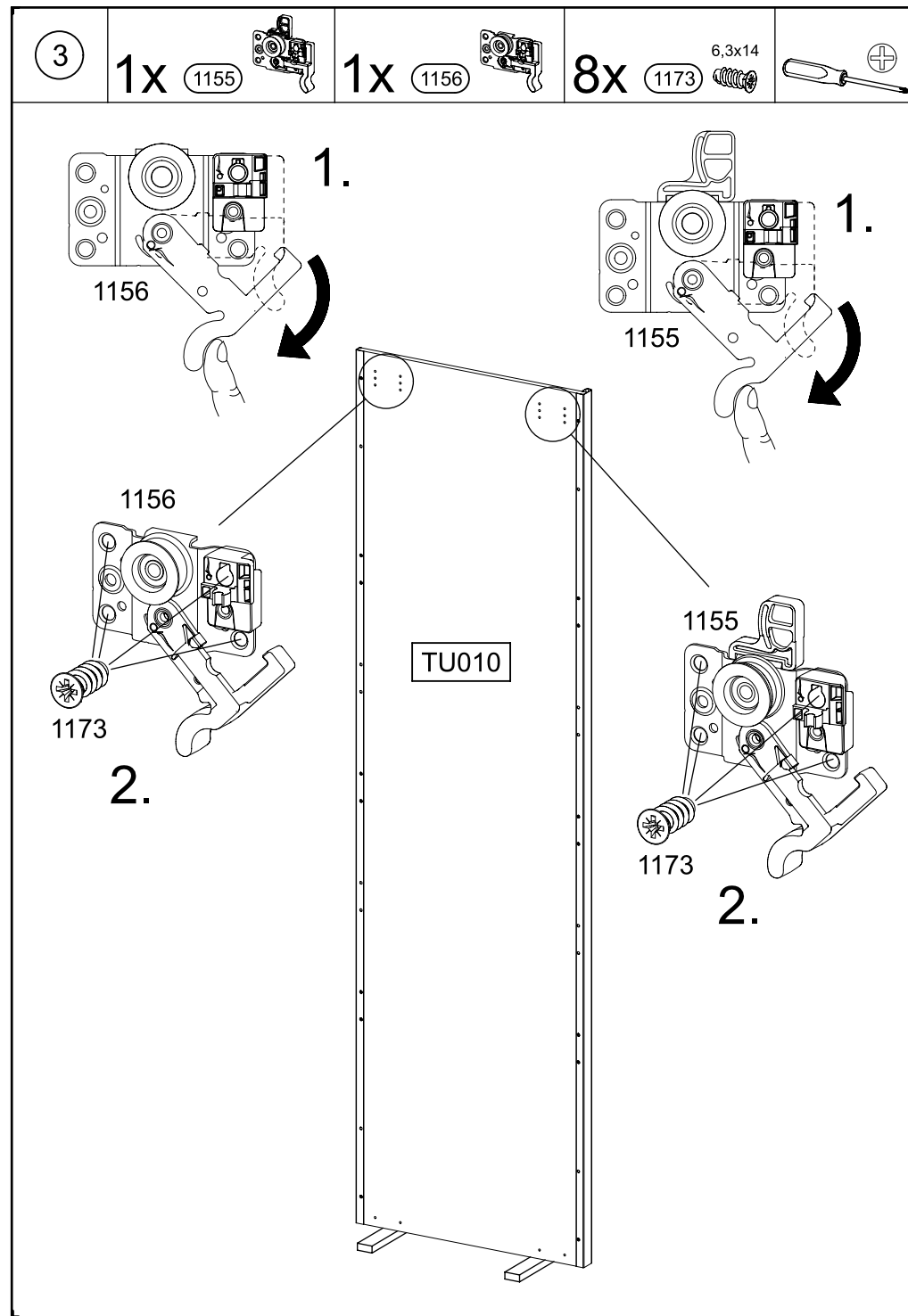
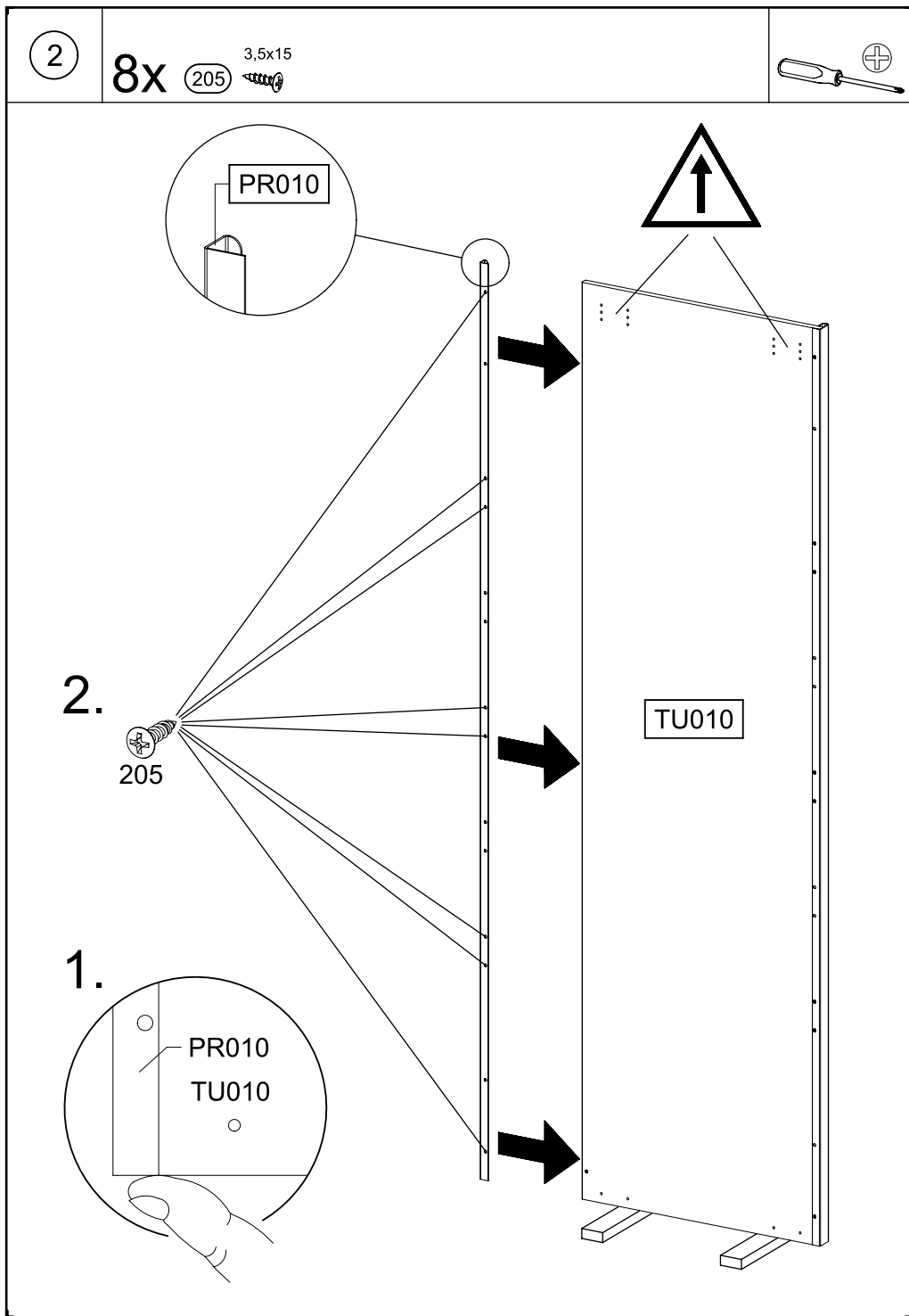
PR010

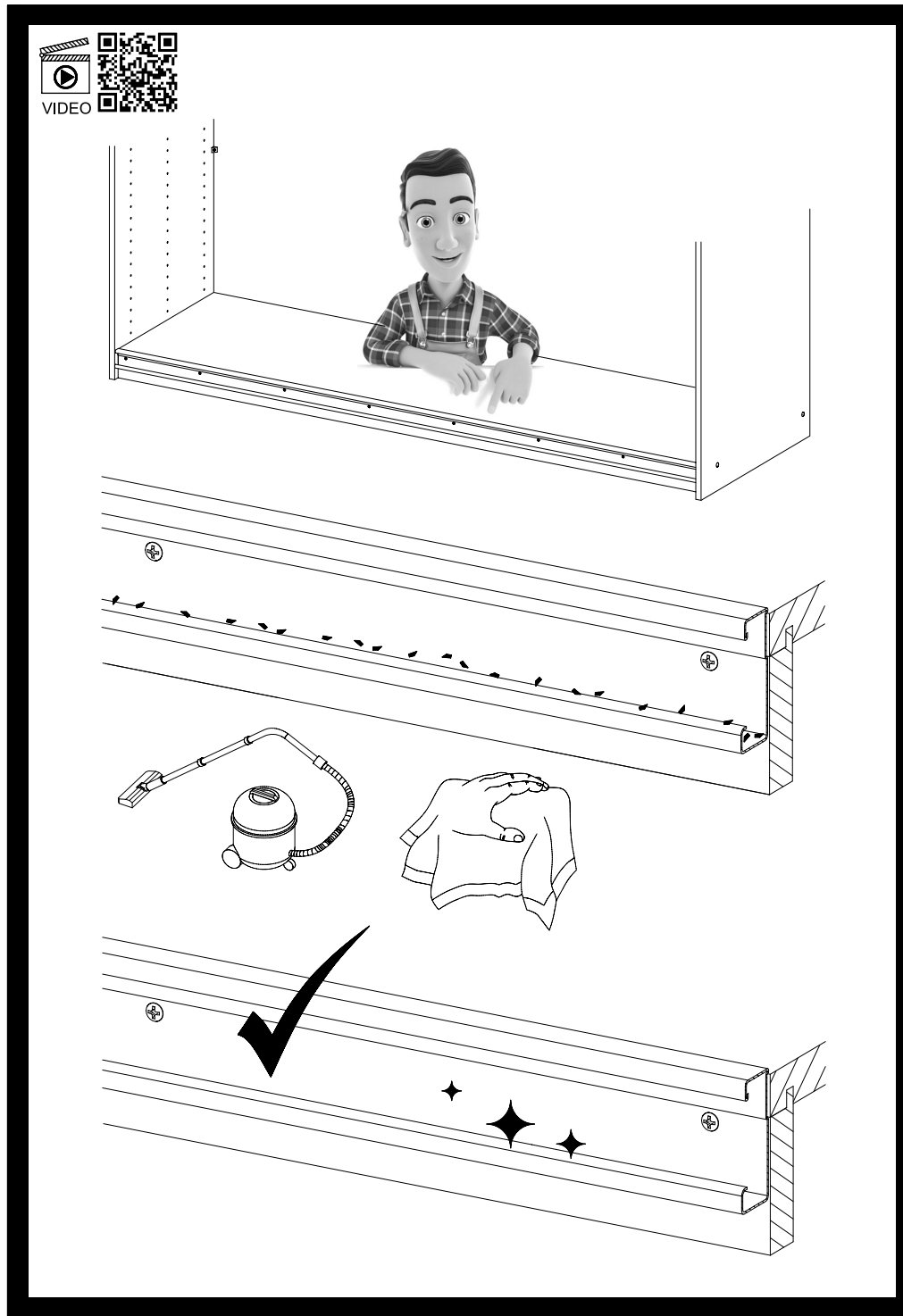
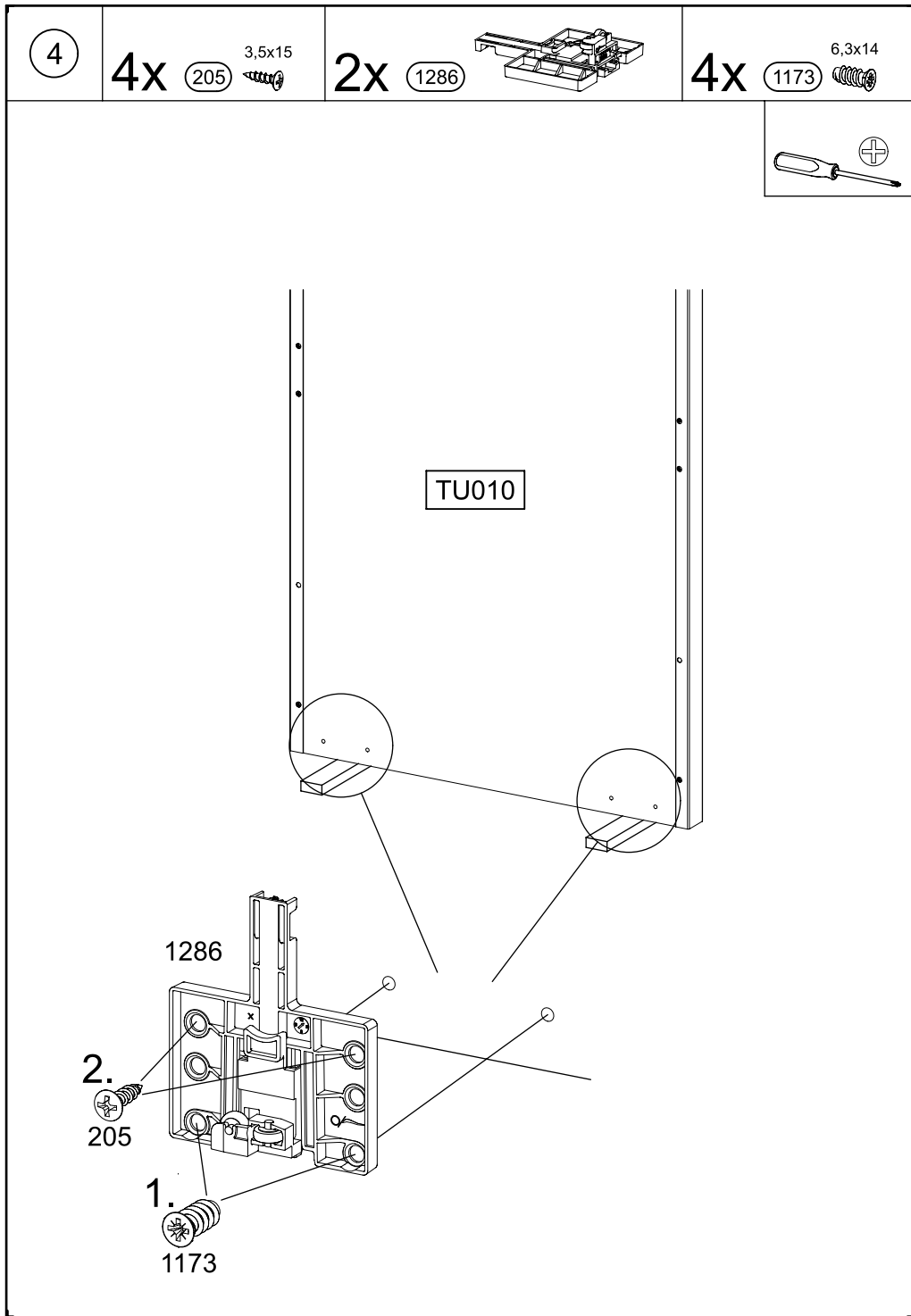
GL010



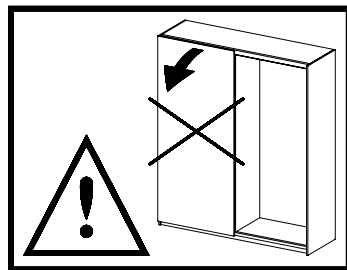
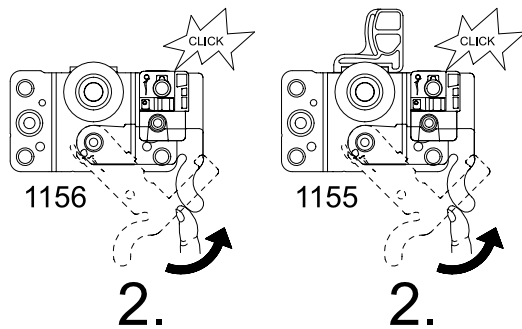
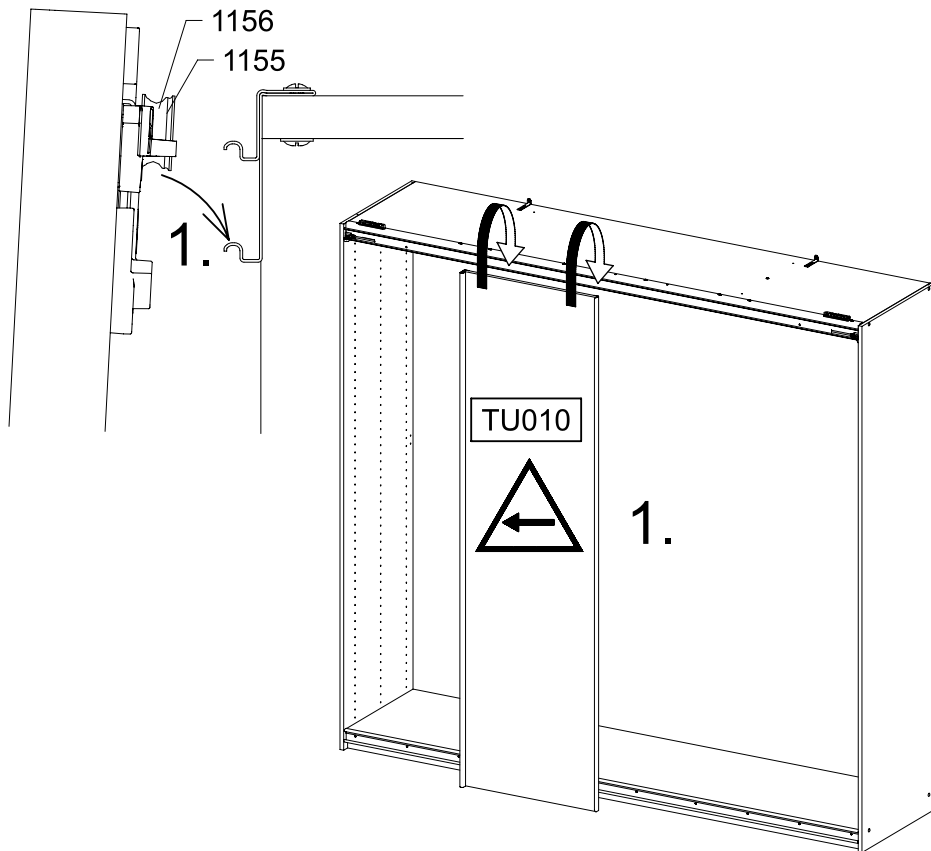
TU040



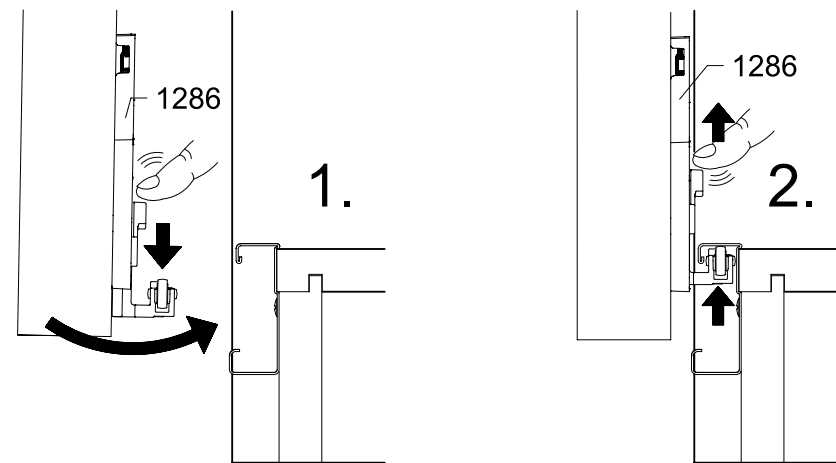
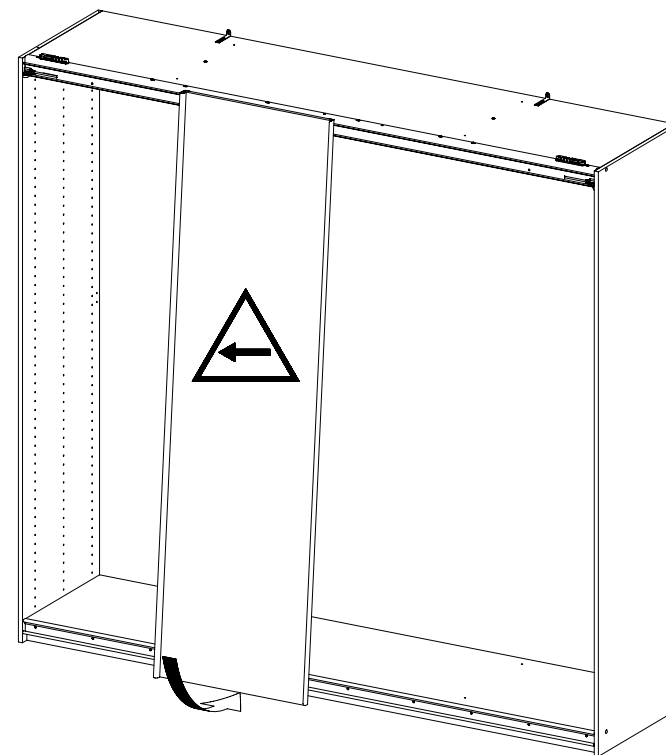


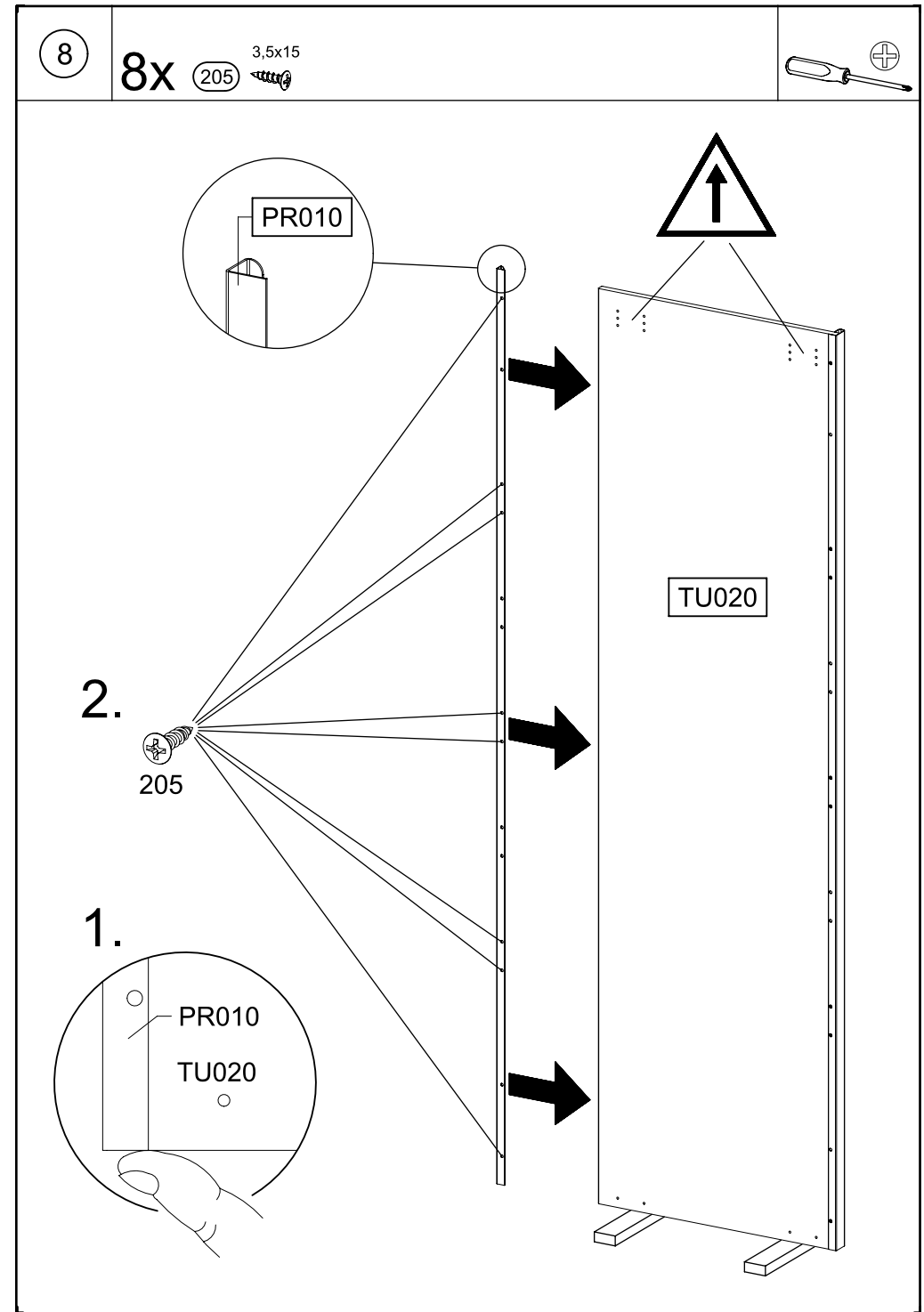
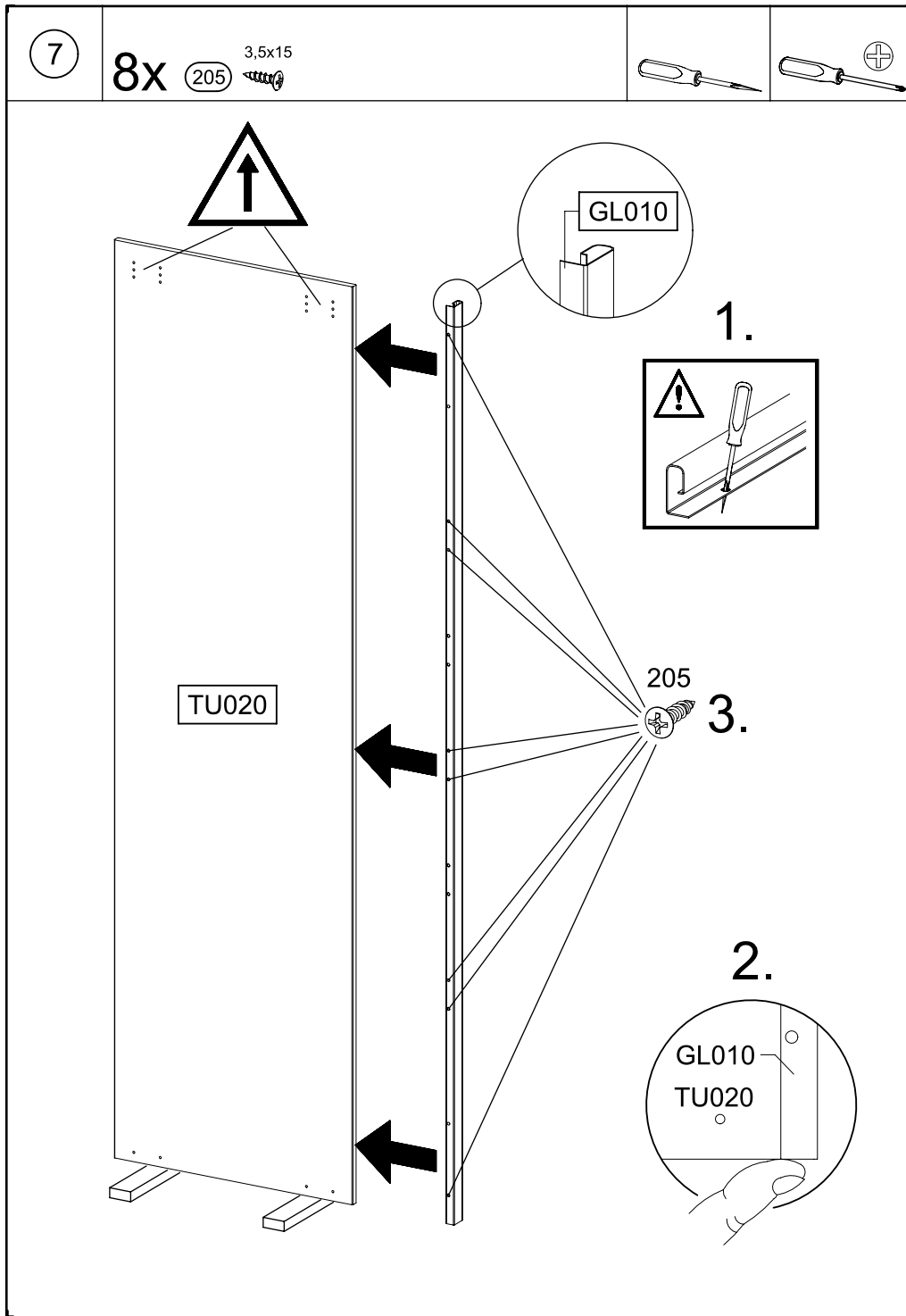


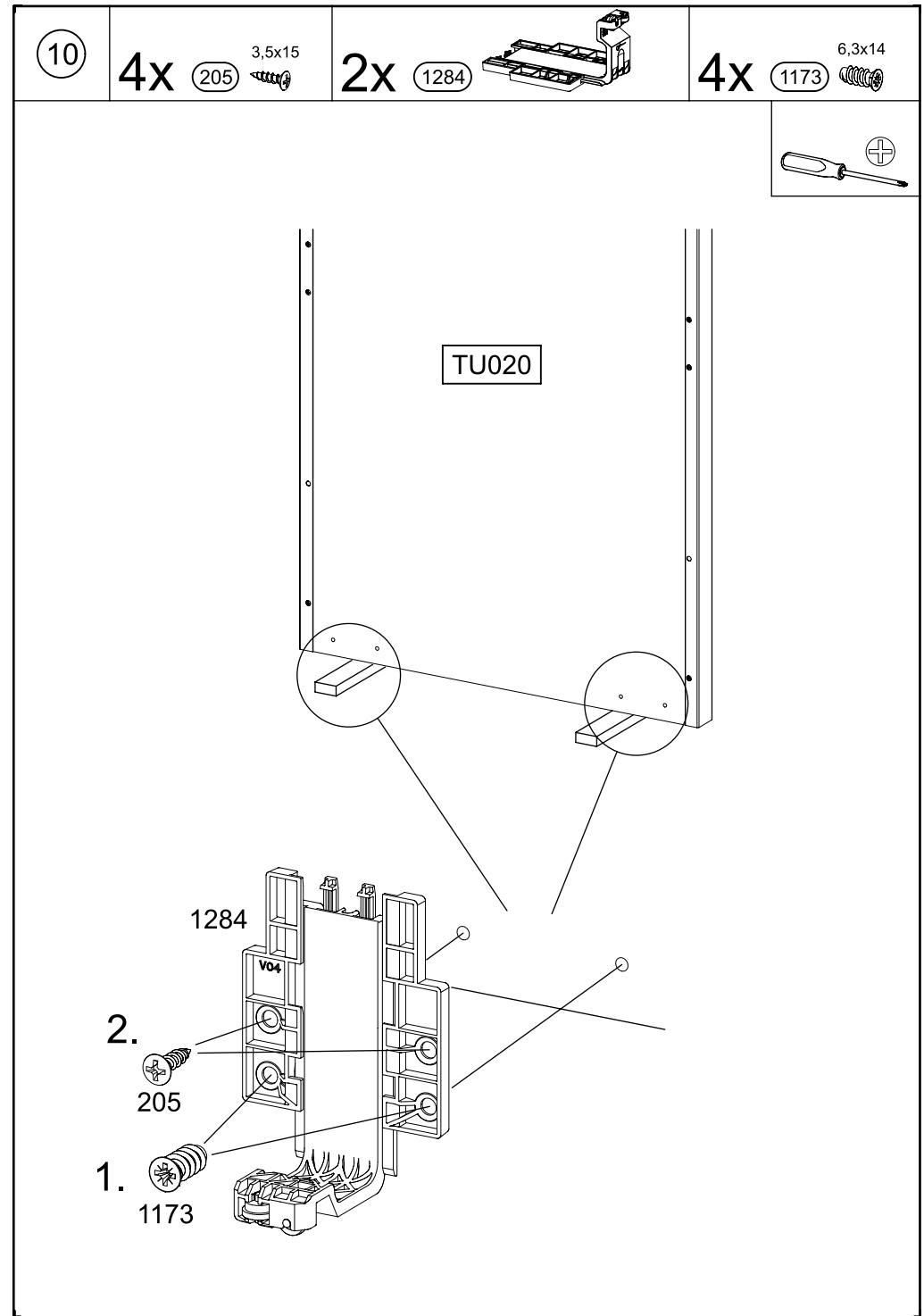
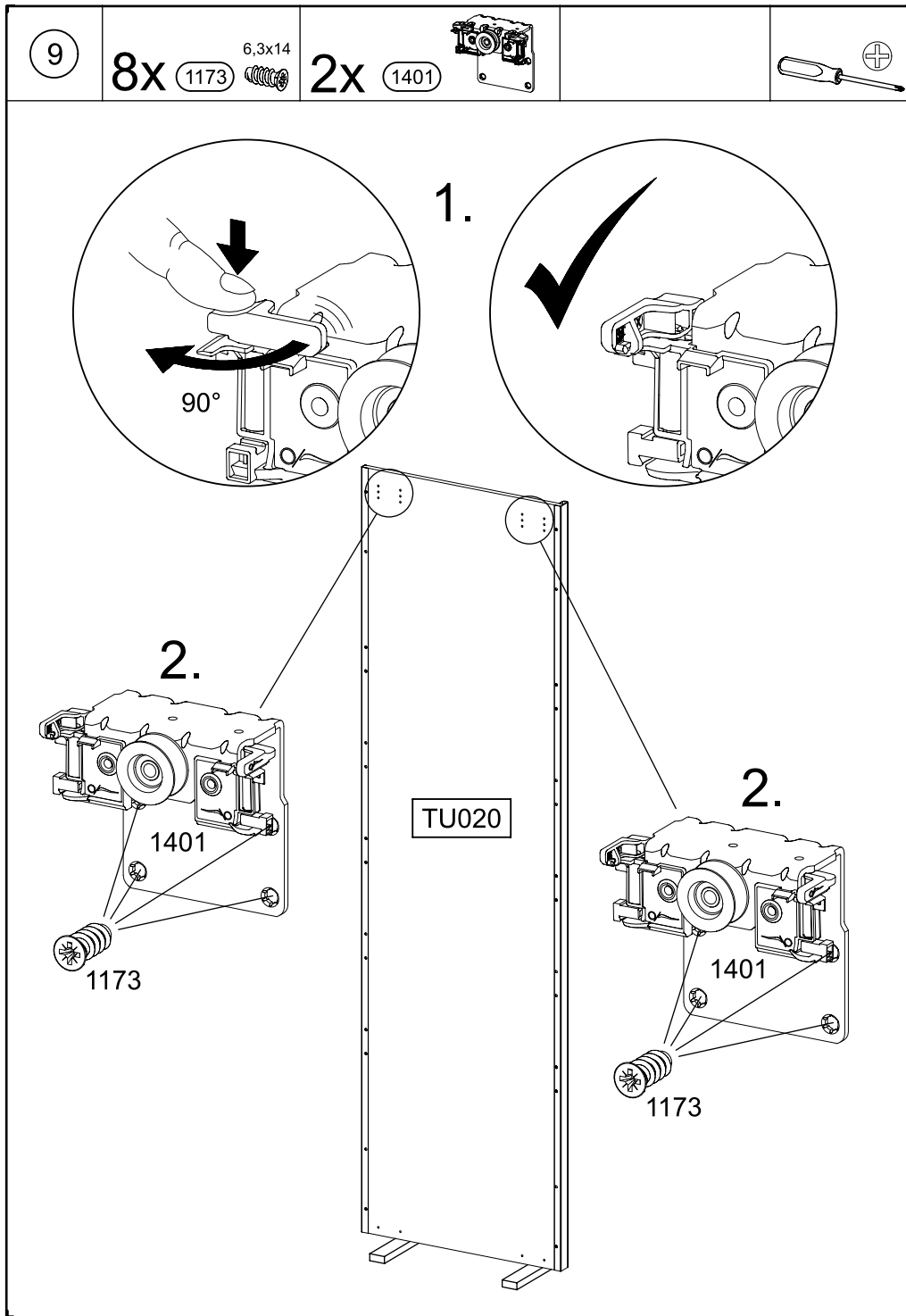
5



6







11



2x 1401

1.

1.

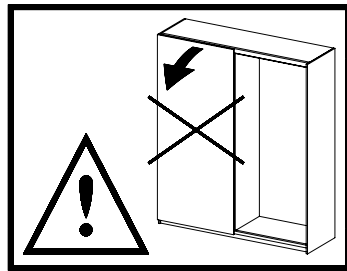
TU020

2.

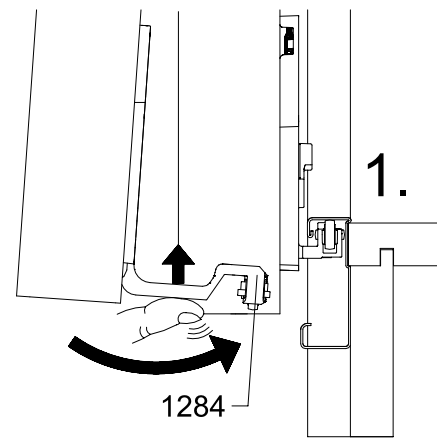
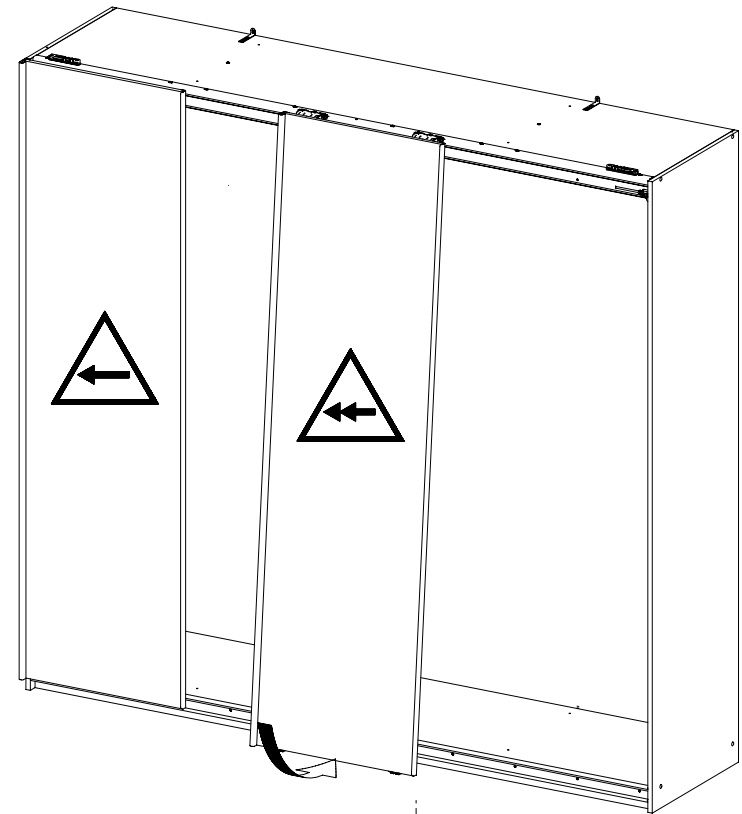
90°

2x 1401

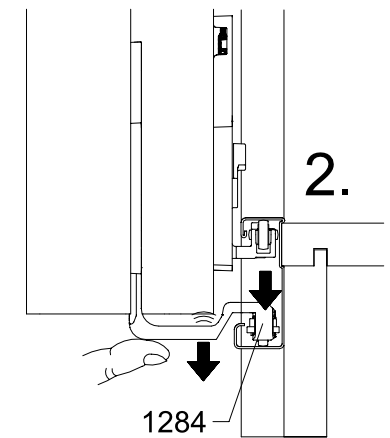
2x 1401



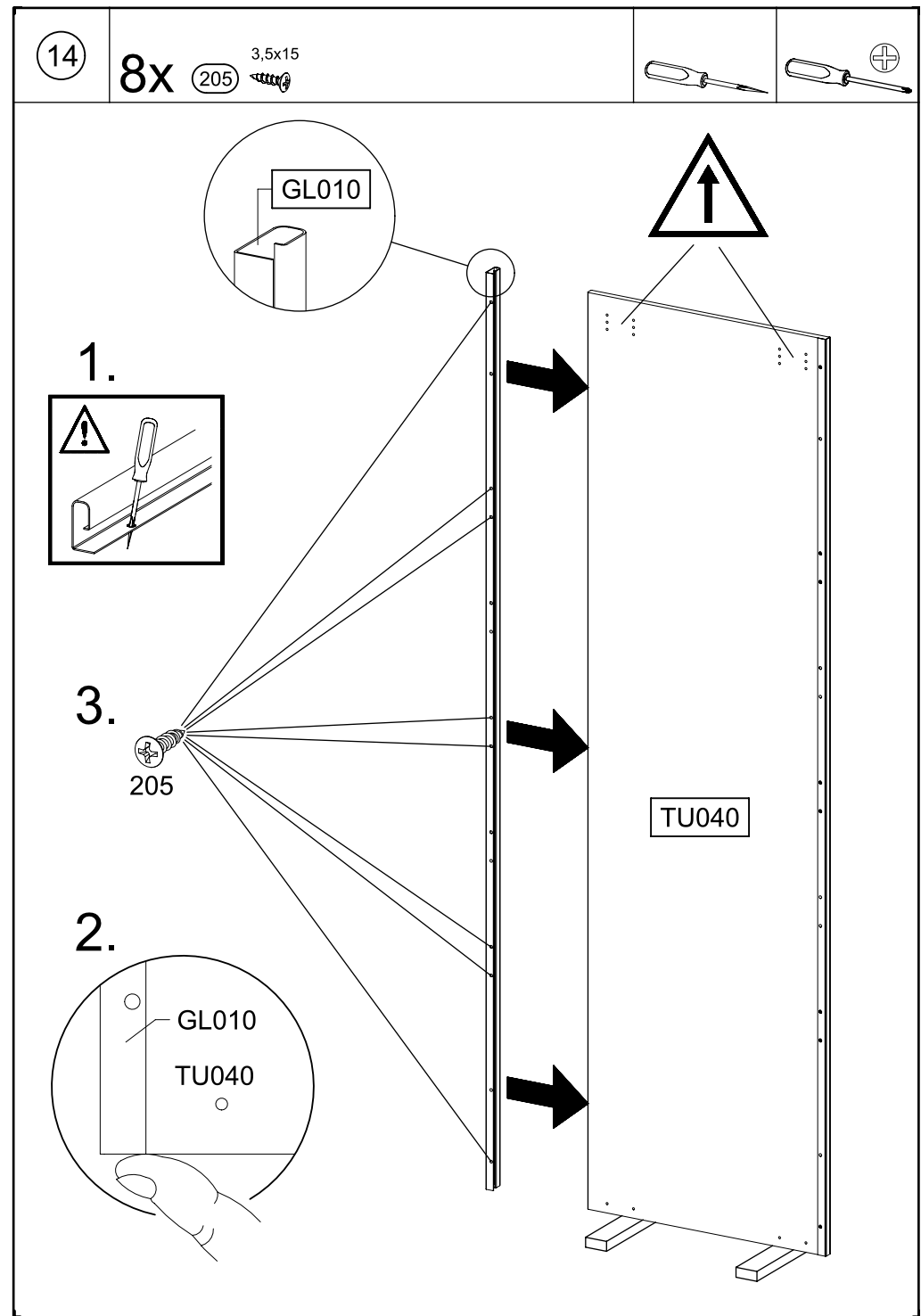
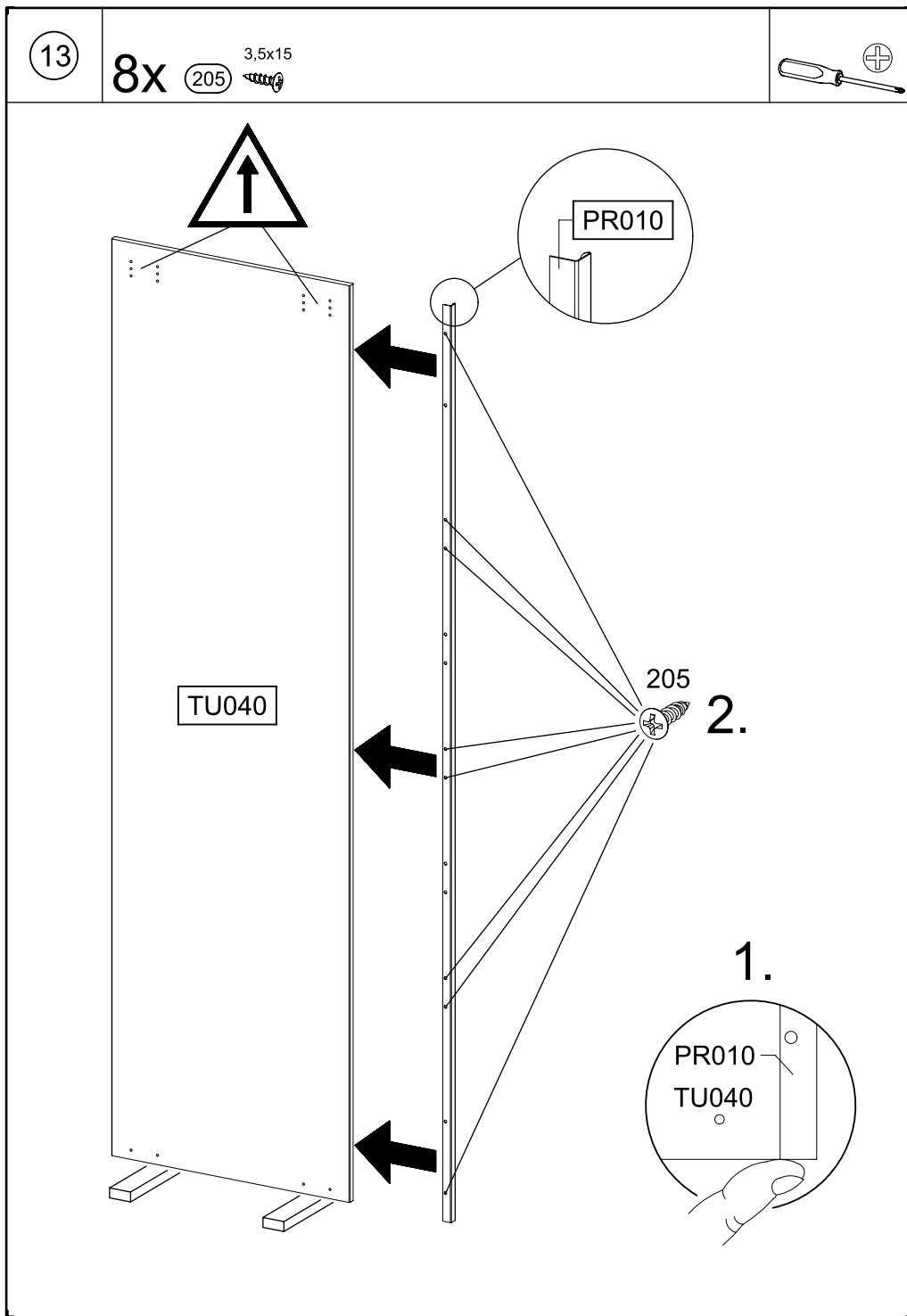
12

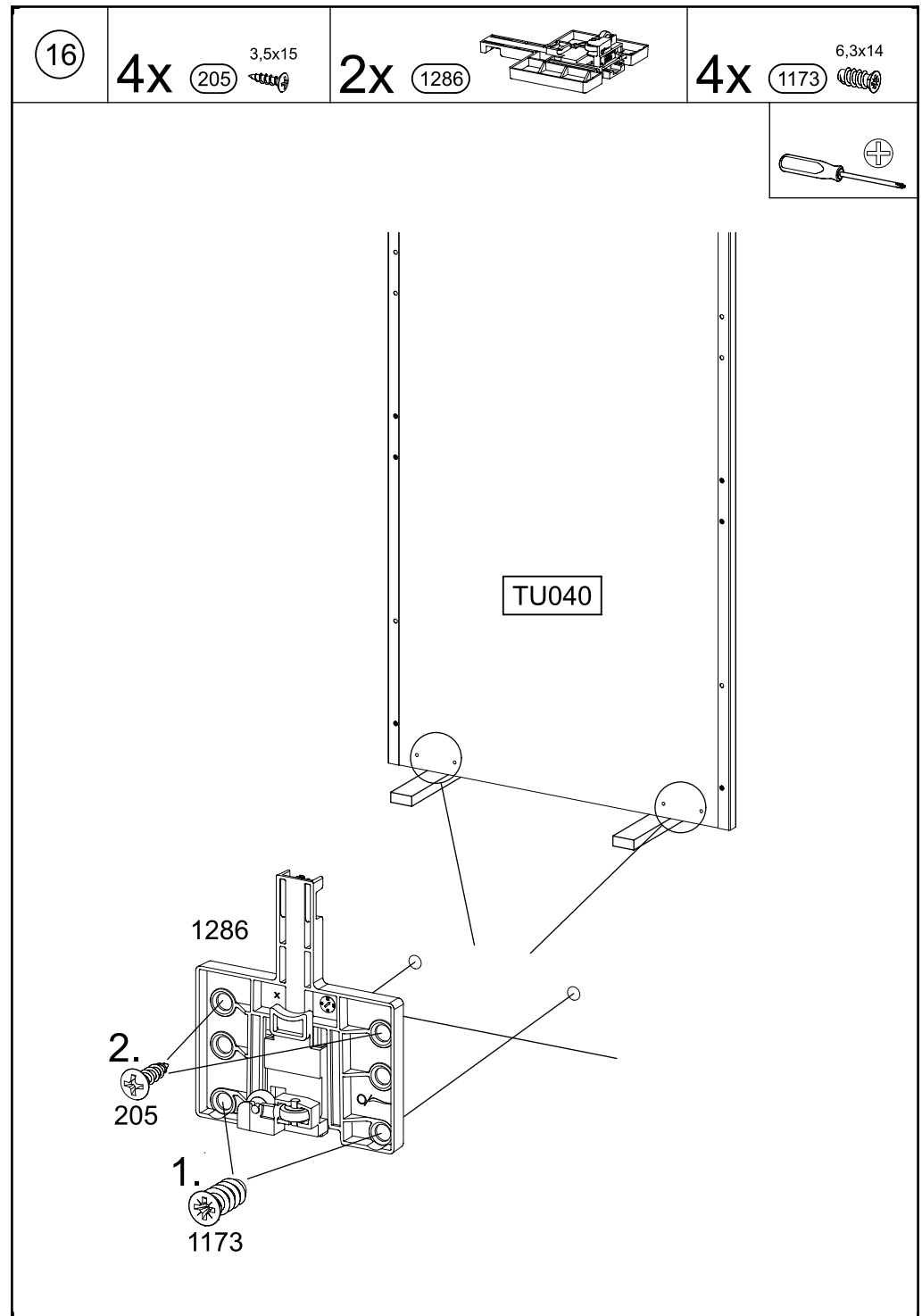
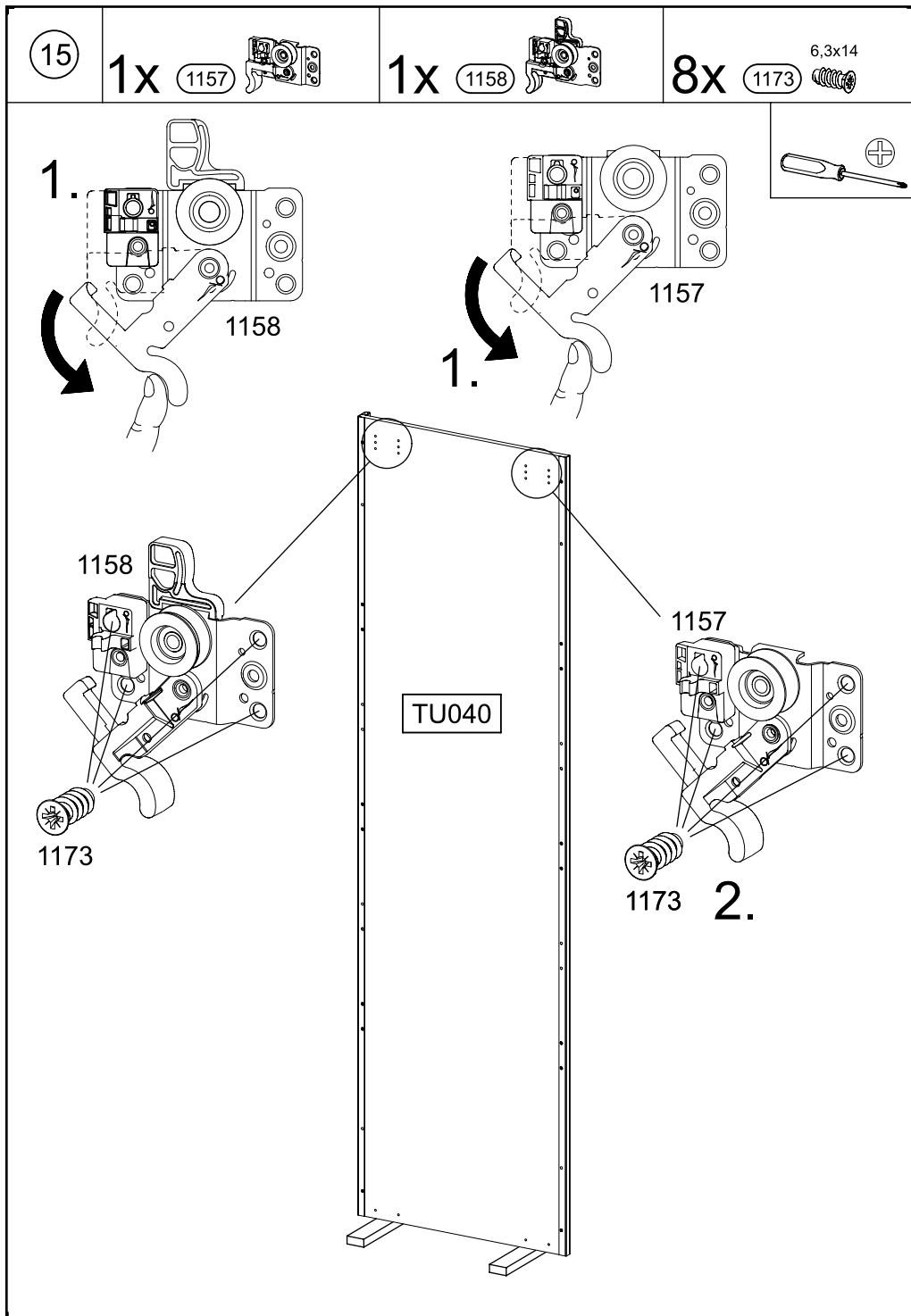


1.

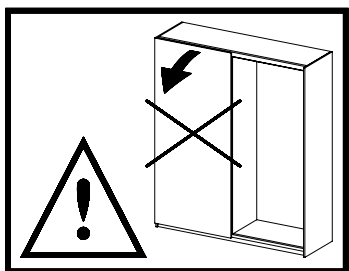
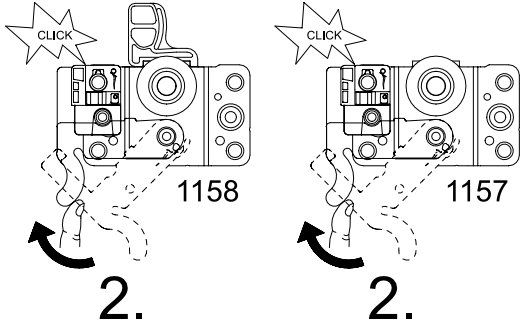
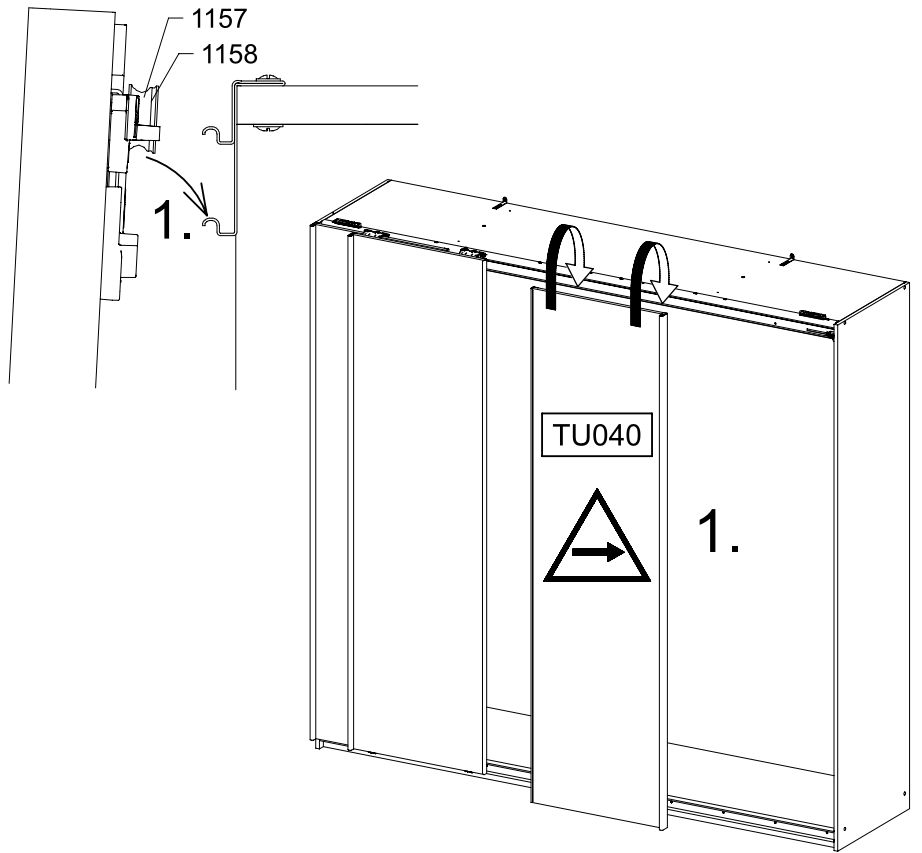


2.

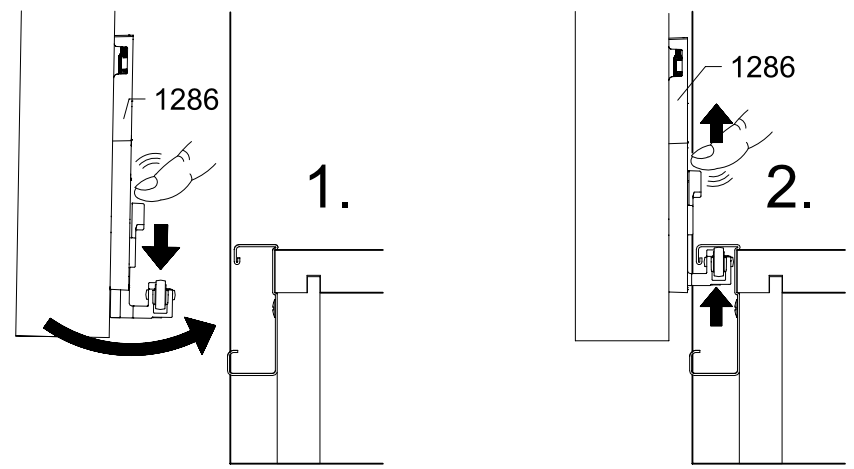
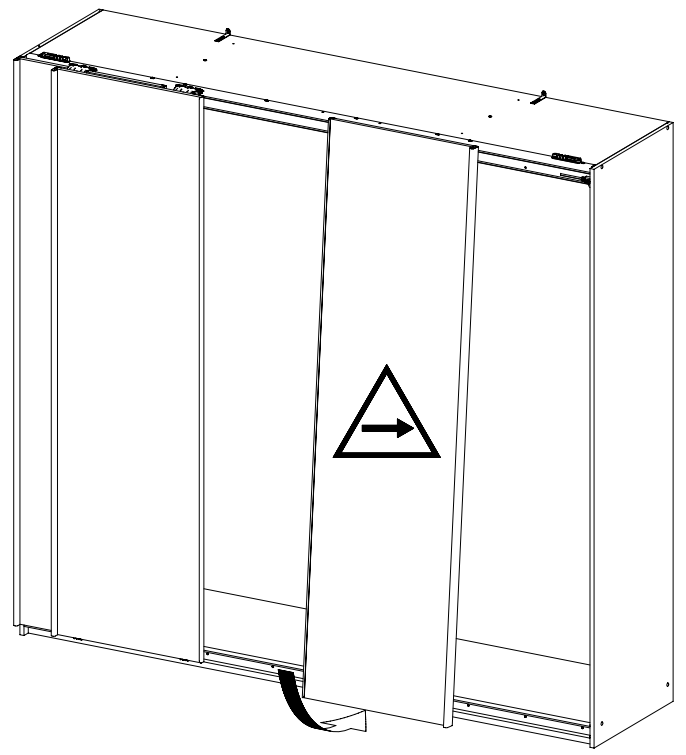




17

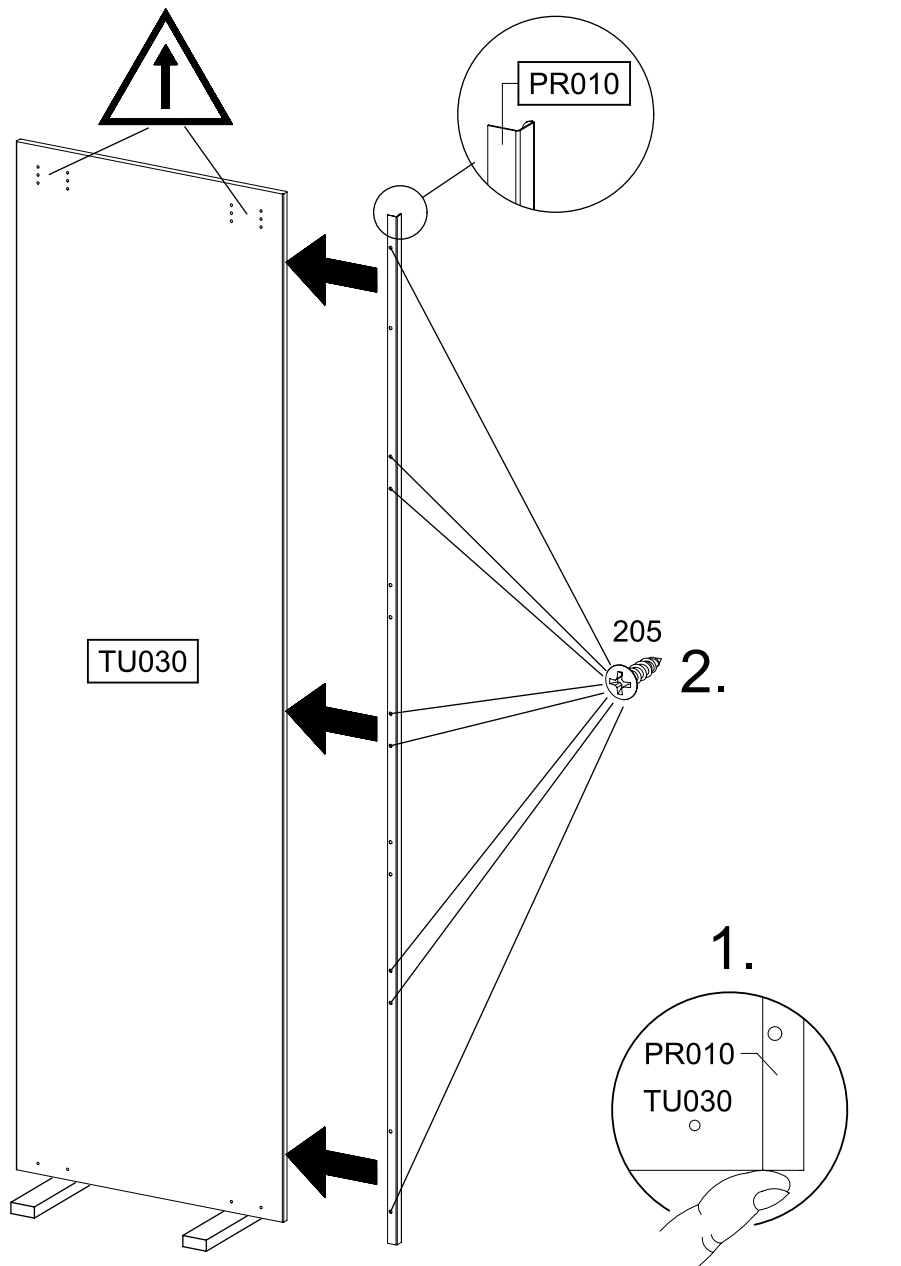
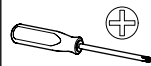


18



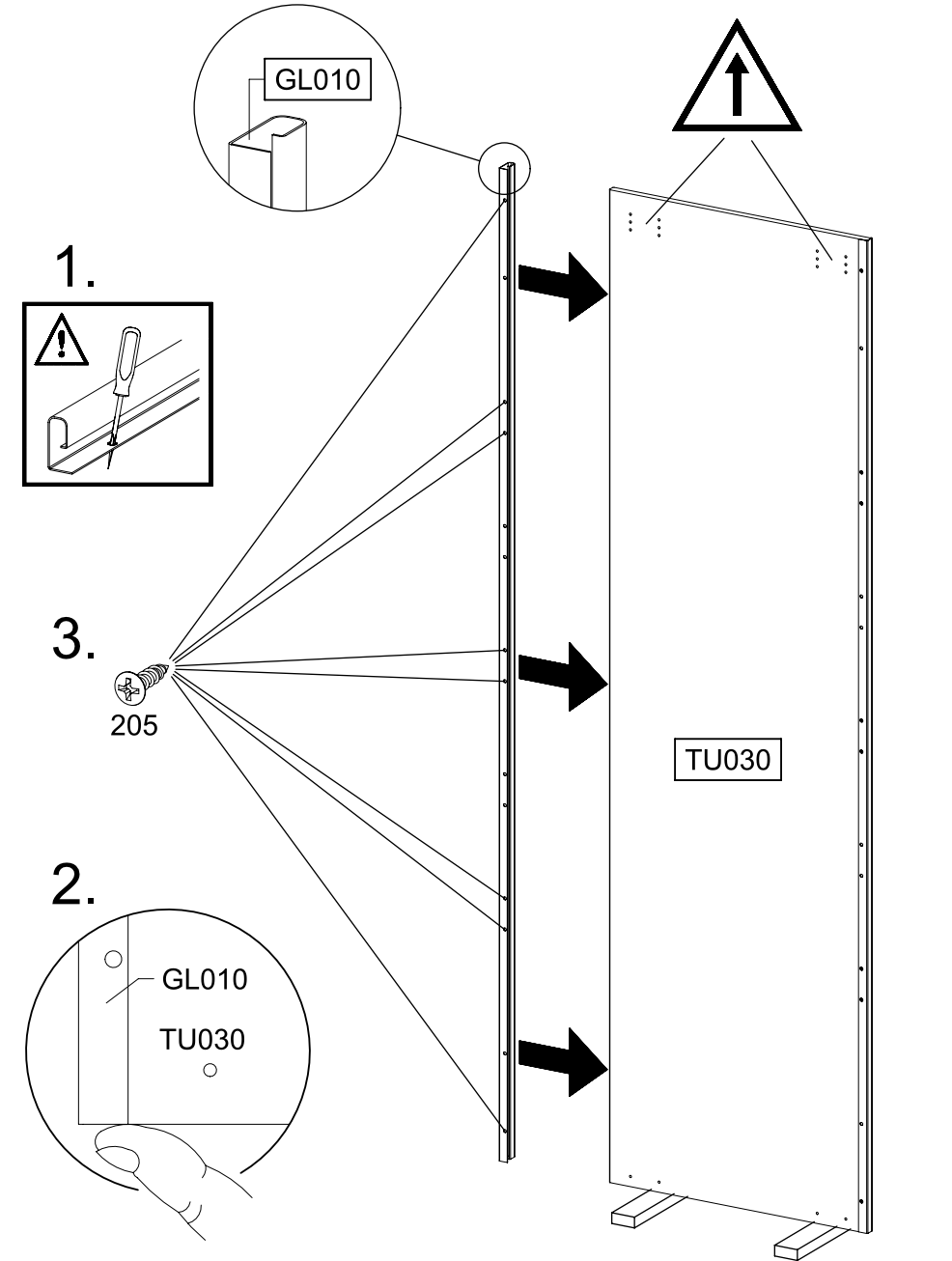
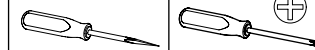
19

8x 205 3,5x15



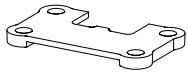
20

8x 205 3,5x15

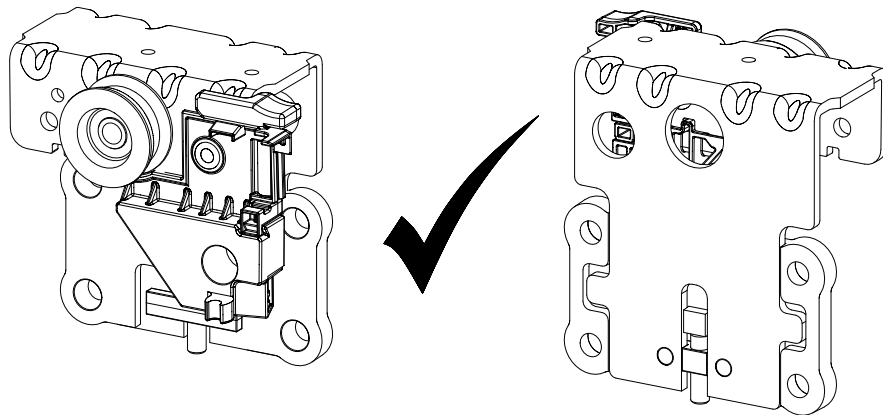
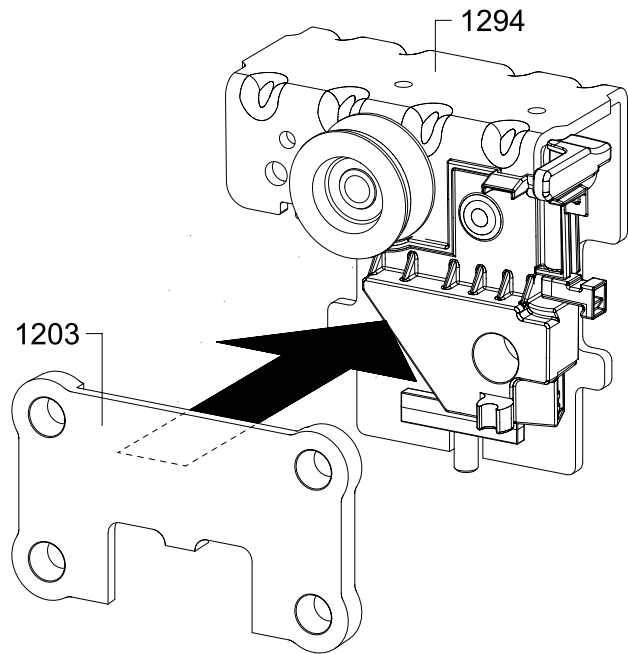


21

1x 1203



1x 1294



22

8x 1173

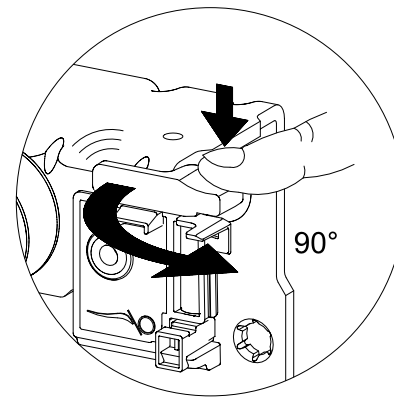
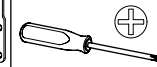
6,3x14



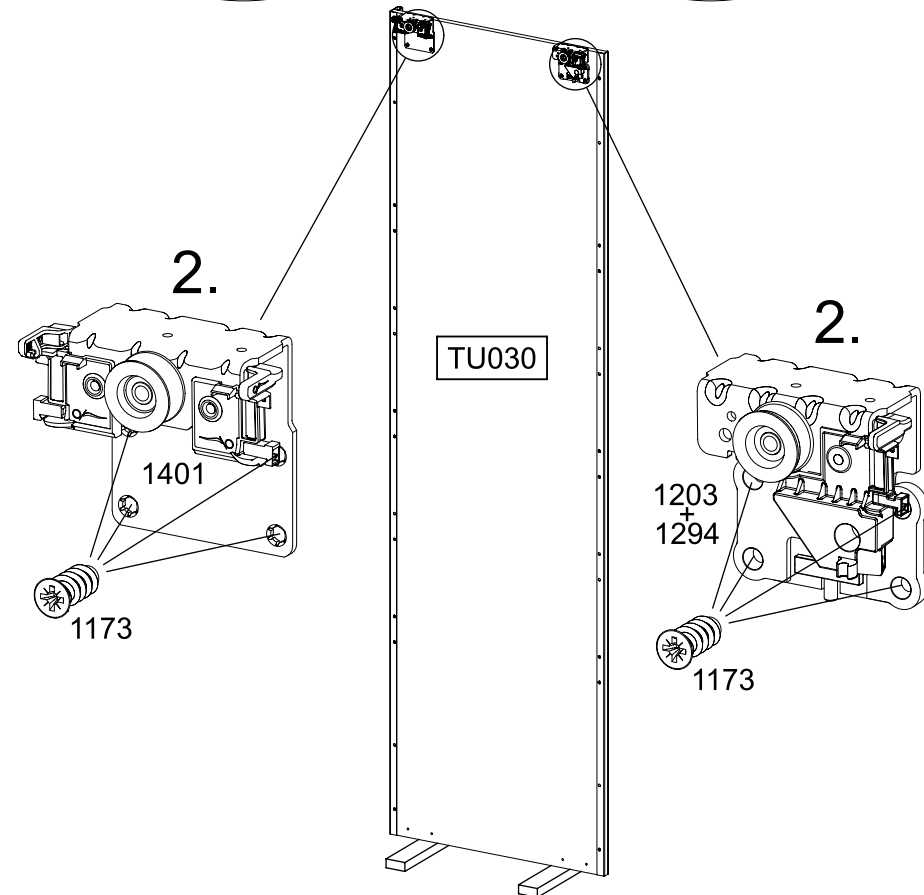
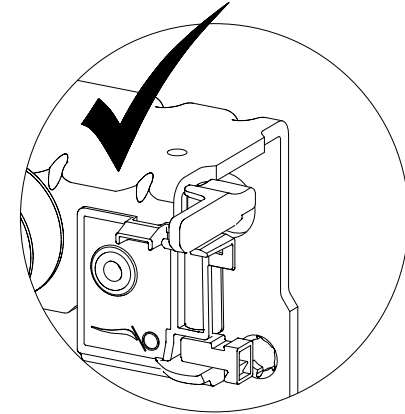
1x 1203 + 1294



1x 1401



1.



TU030

2.

2.

1401

1173

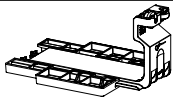
1203 + 1294

1173

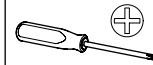
23

4x 205 3,5x15

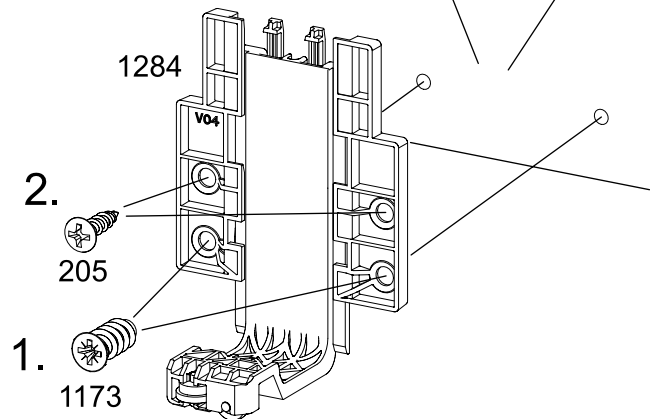
2x 1284



4x 1173 6,3x14



TU030

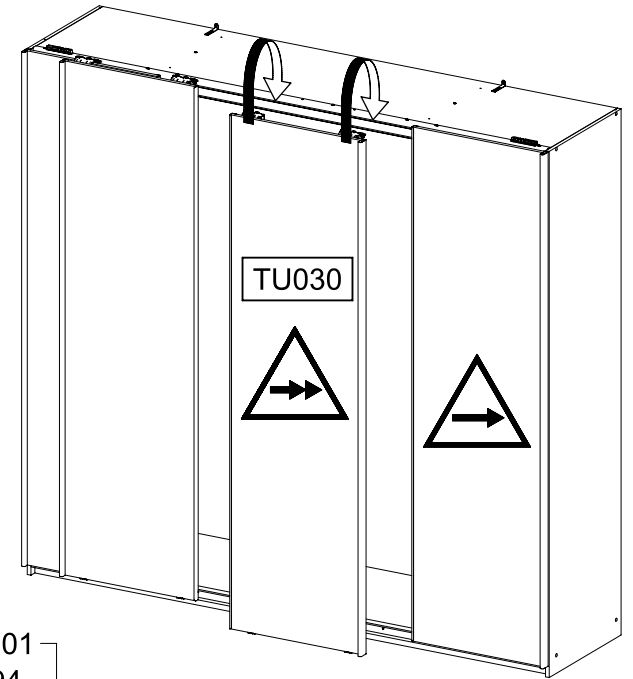


24



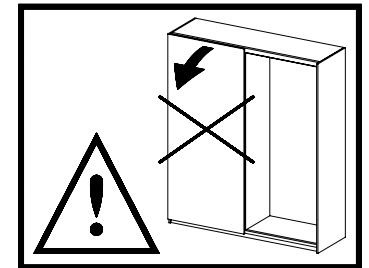
1401
1294

1.

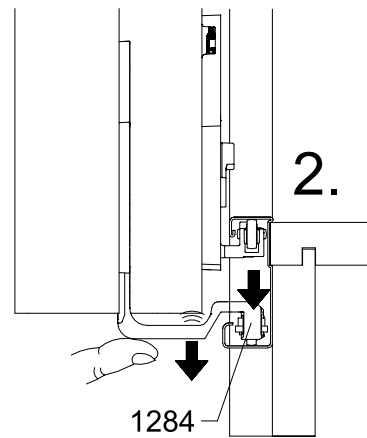
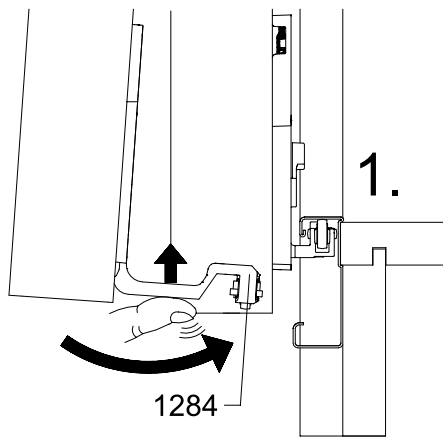
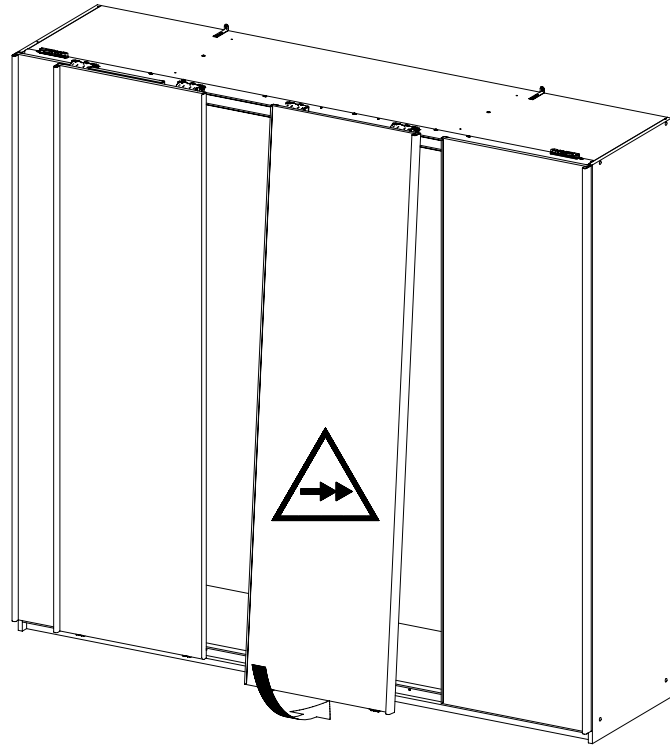


1401 90° 1401
1294 1294

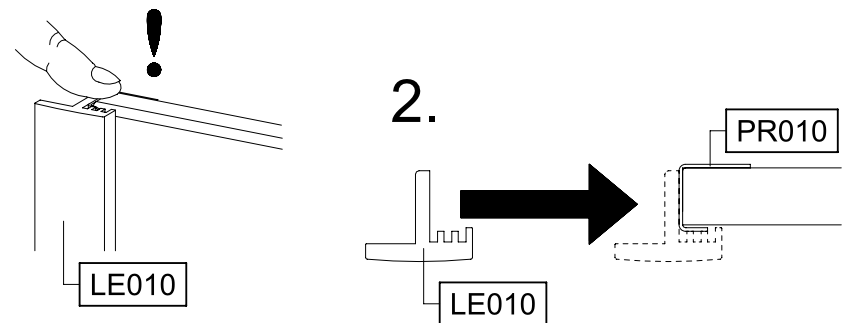
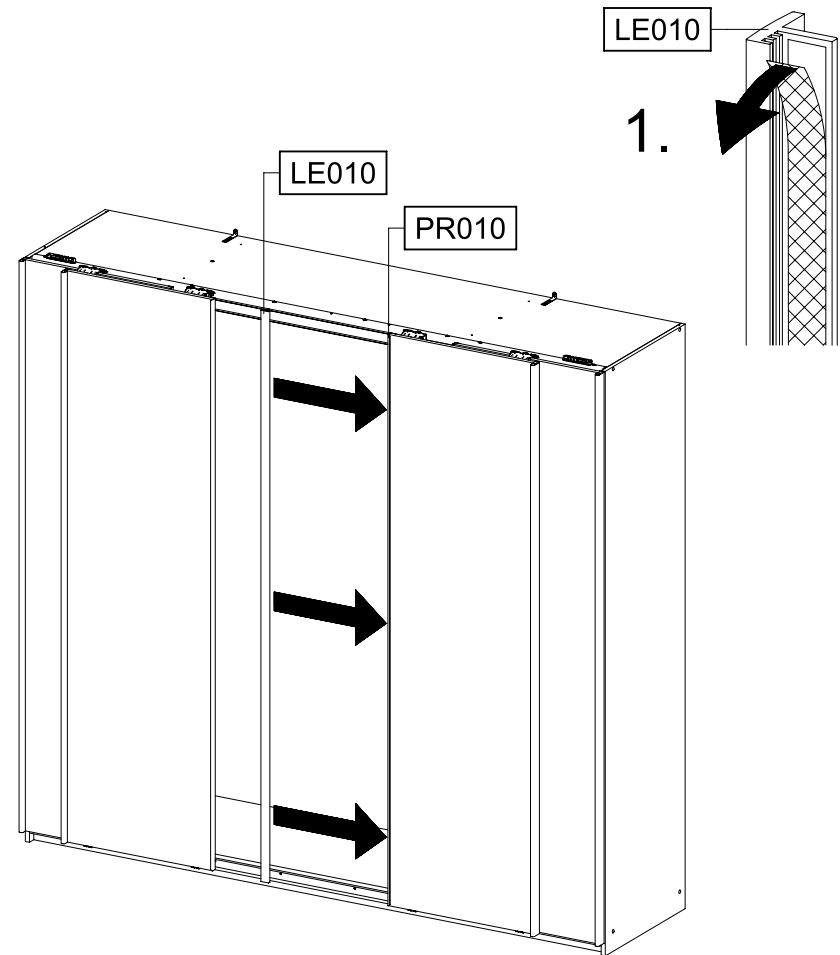
2.

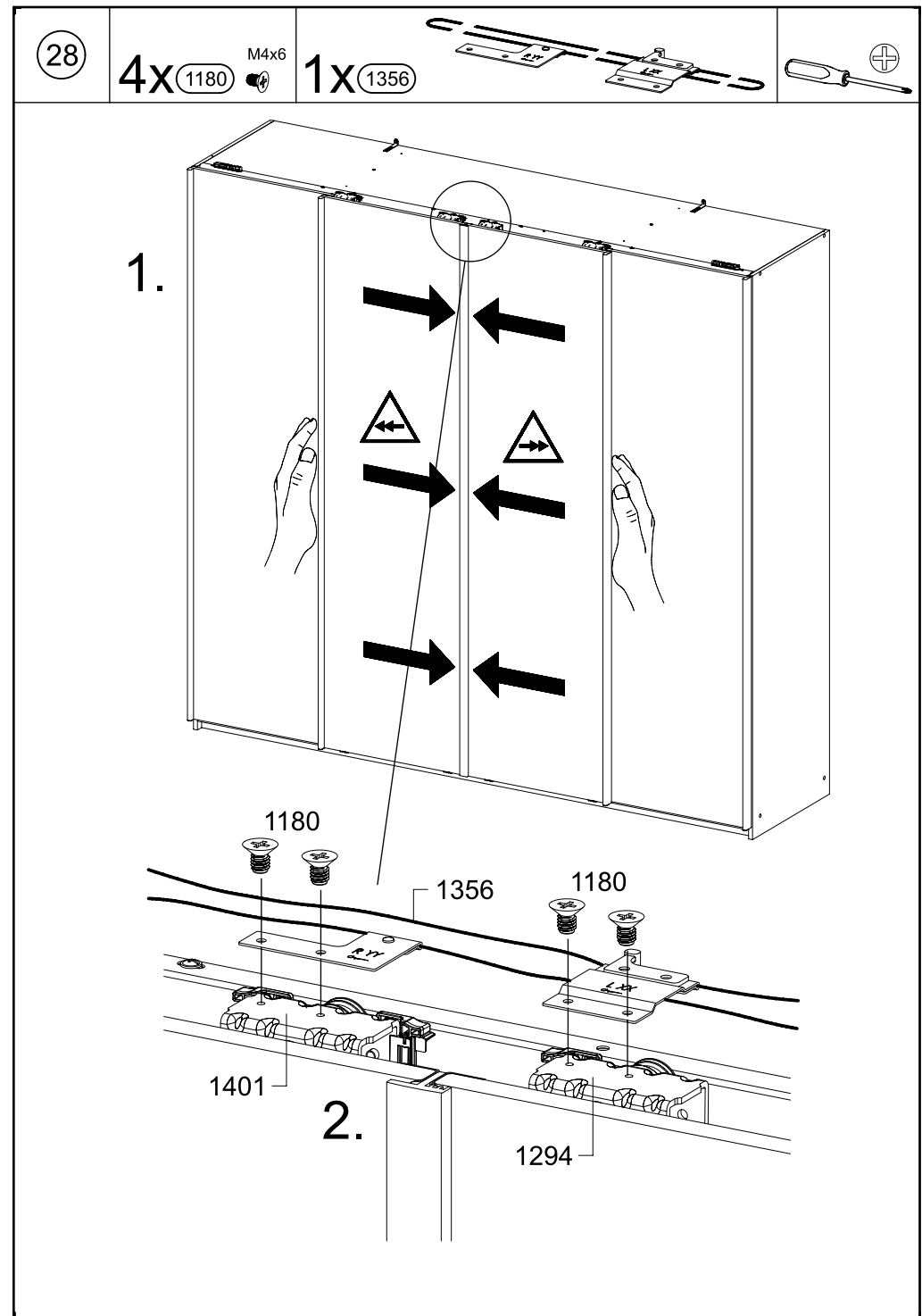
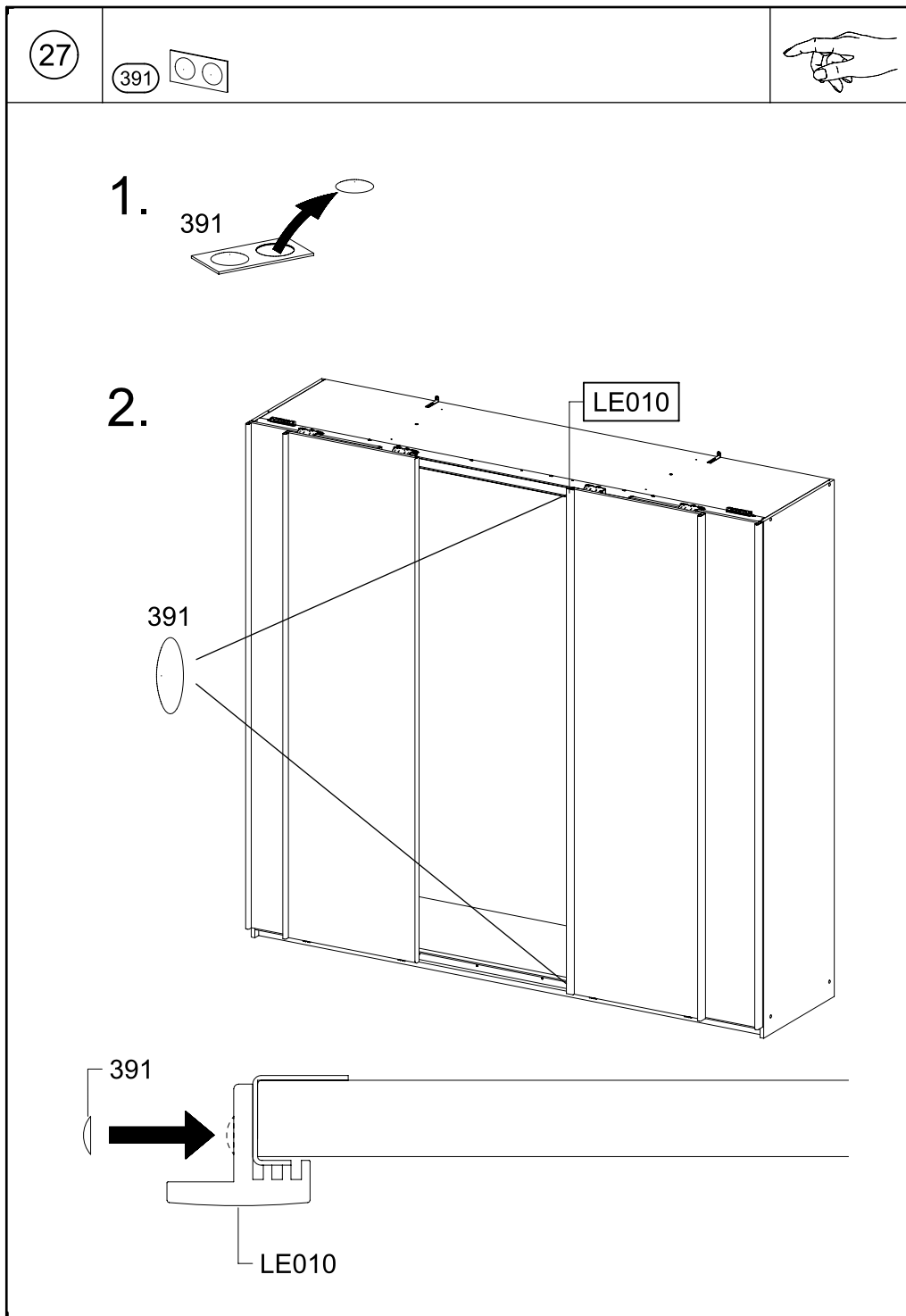


25

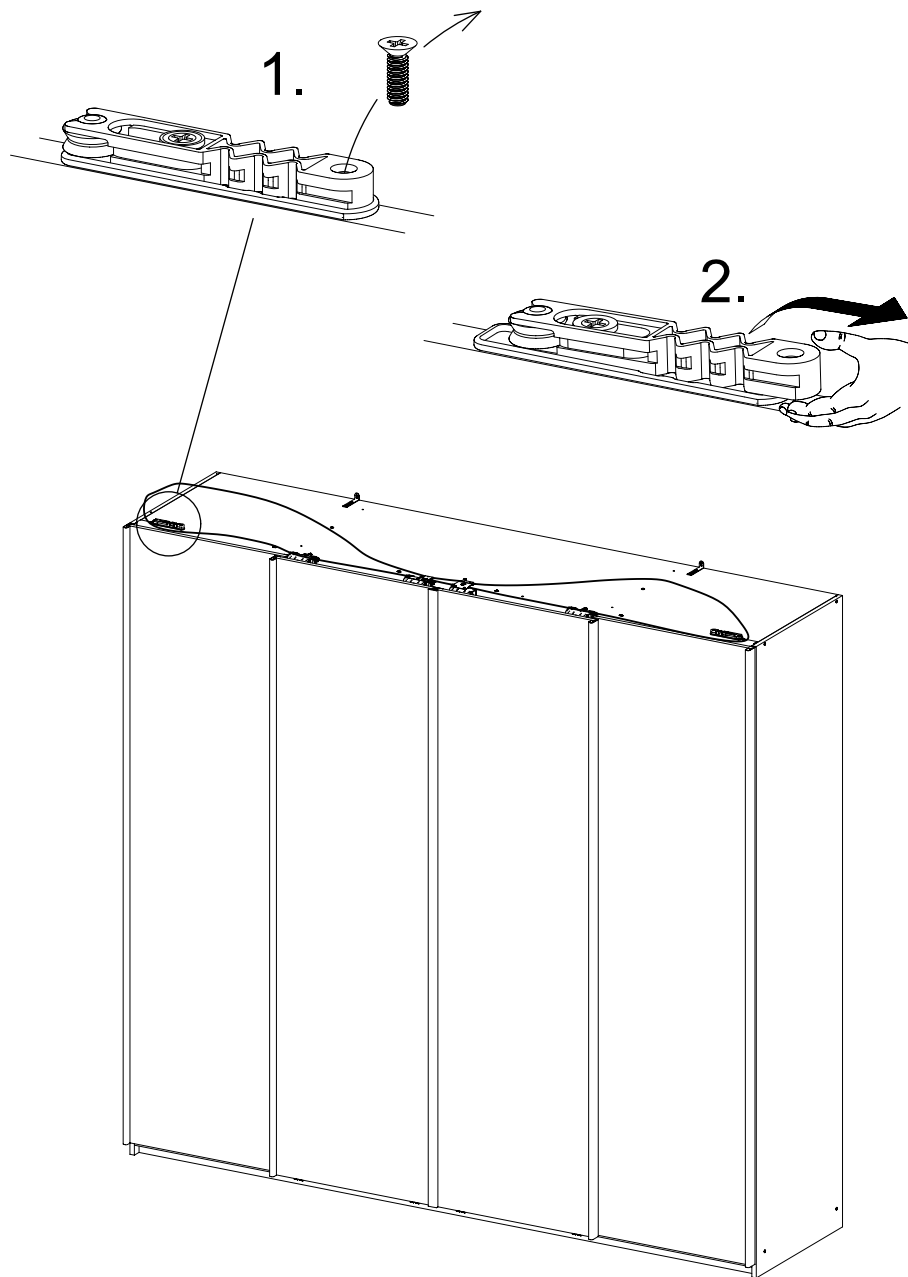
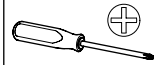


26

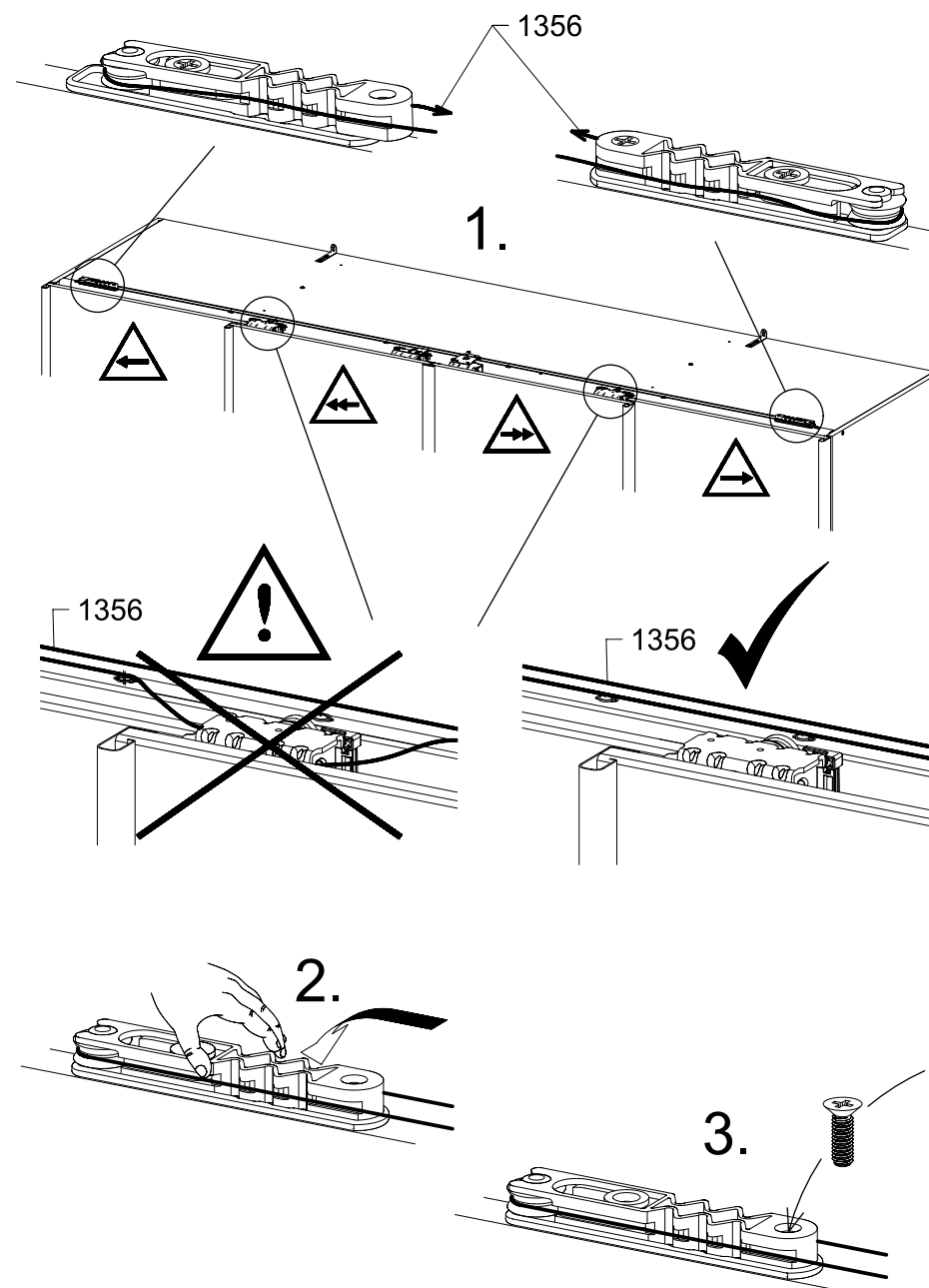
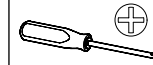




29

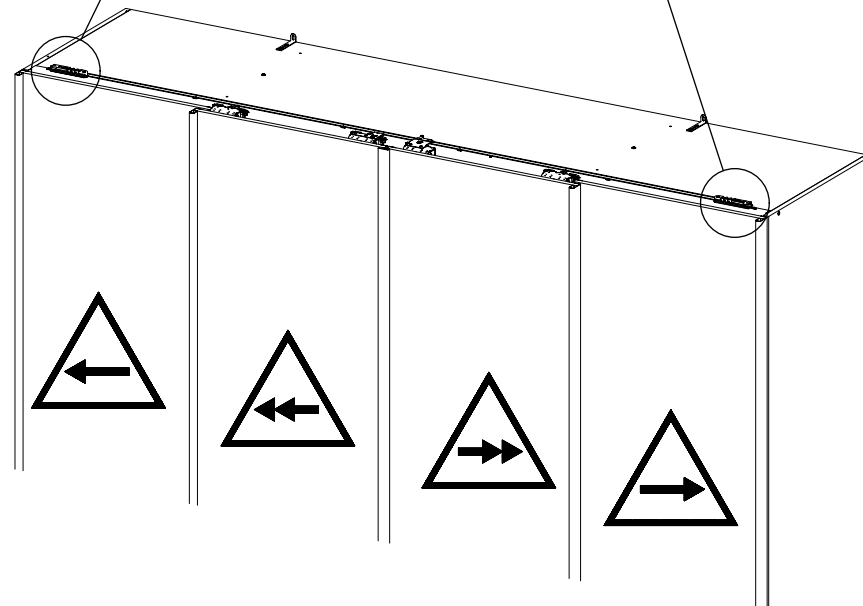
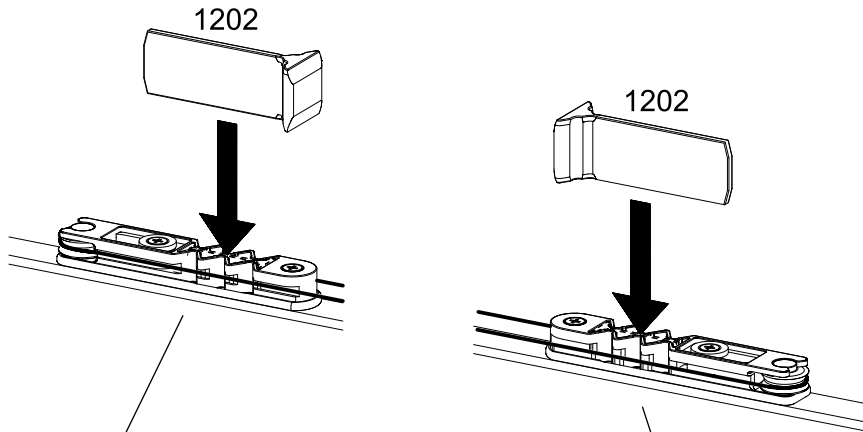
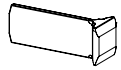


30



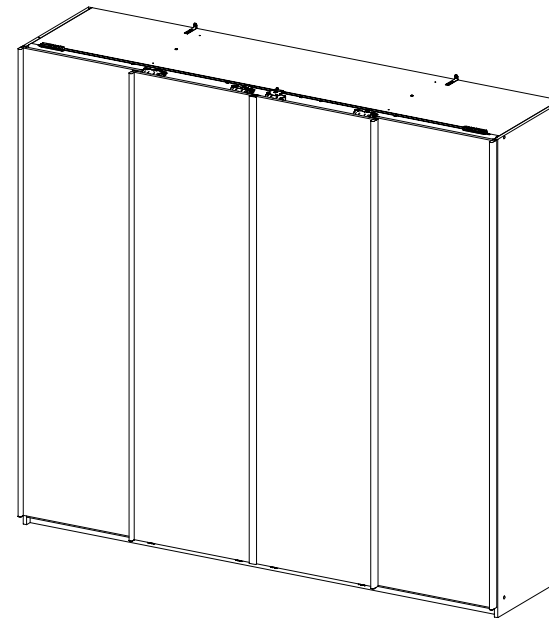
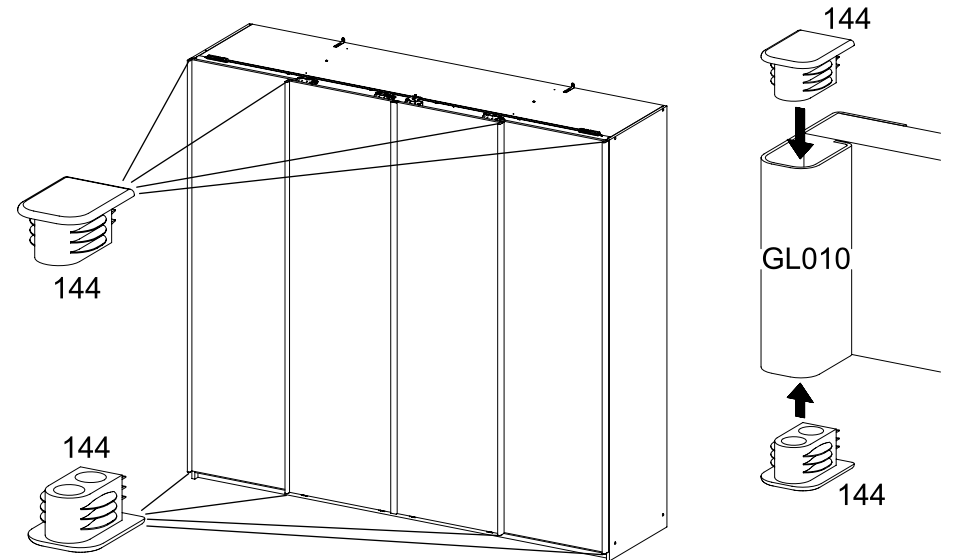
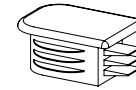
31

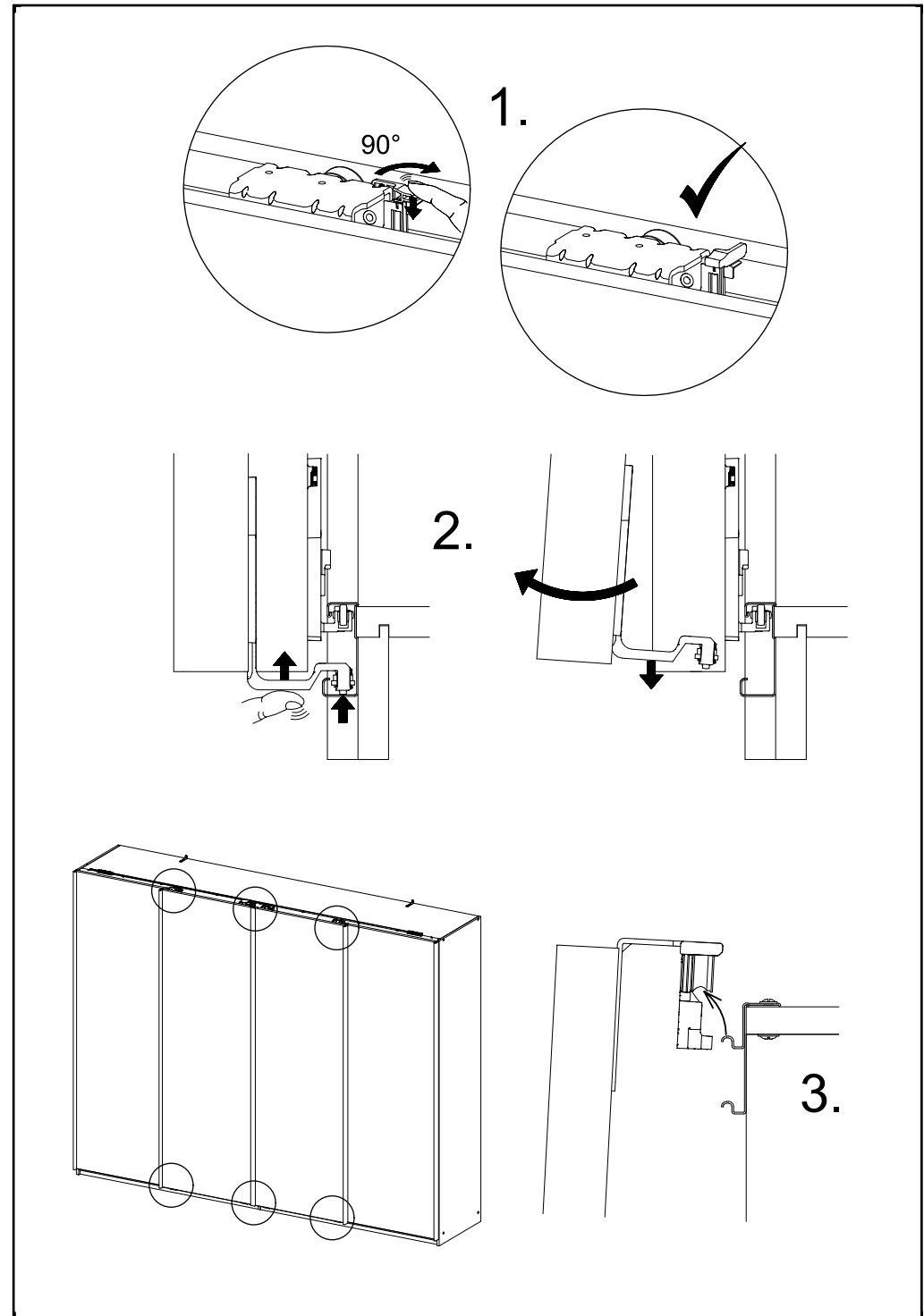
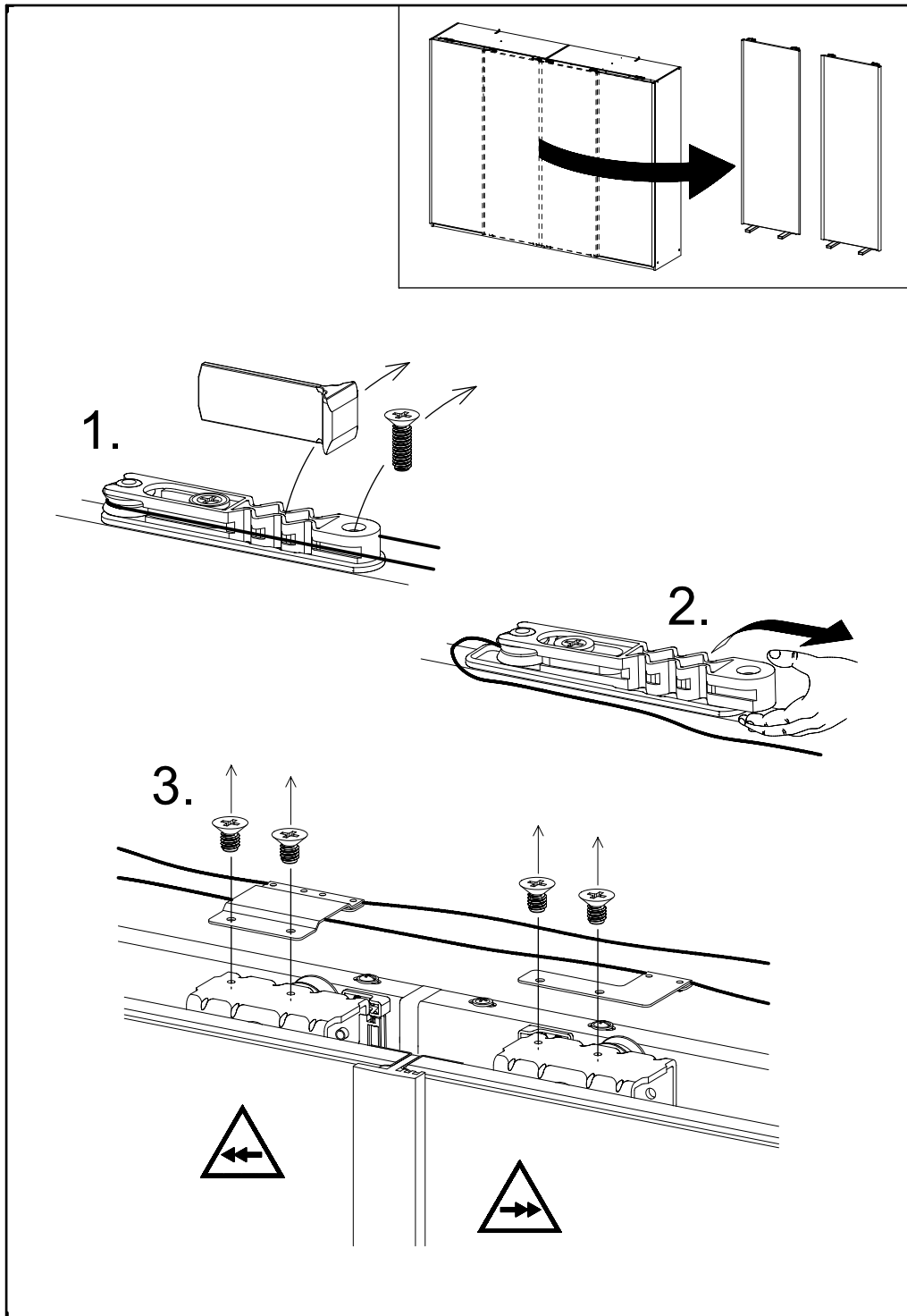
2x 1202

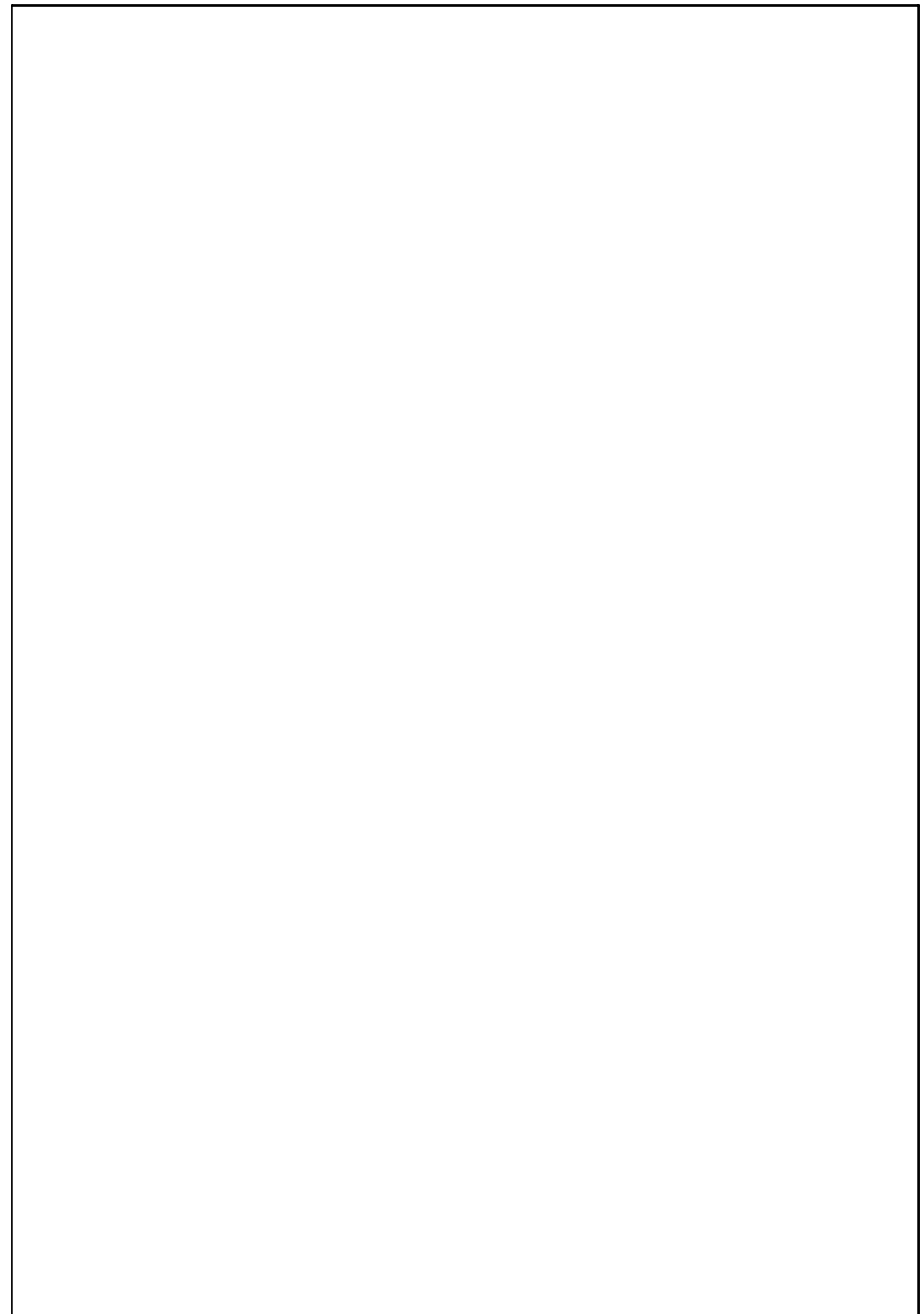
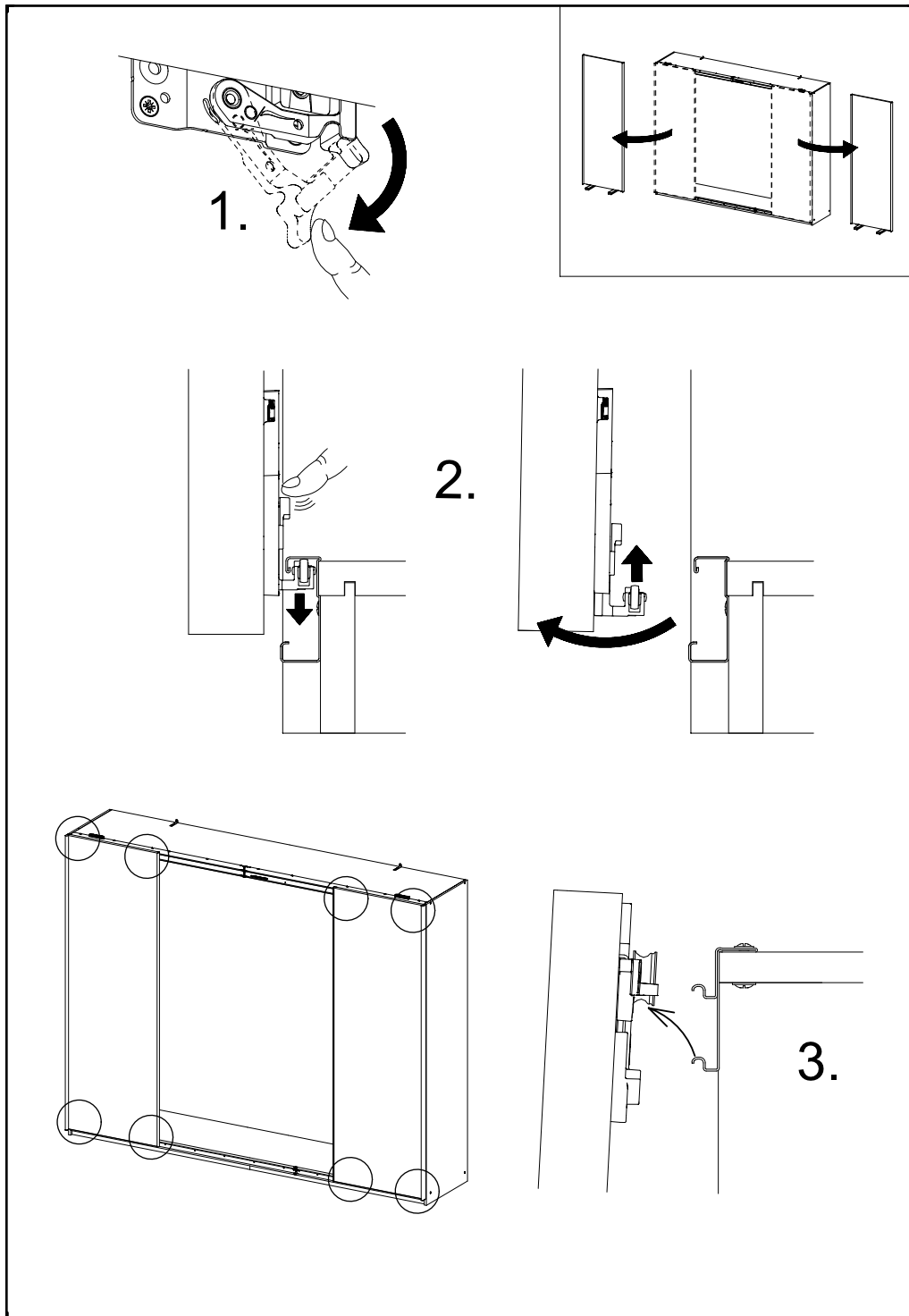


32

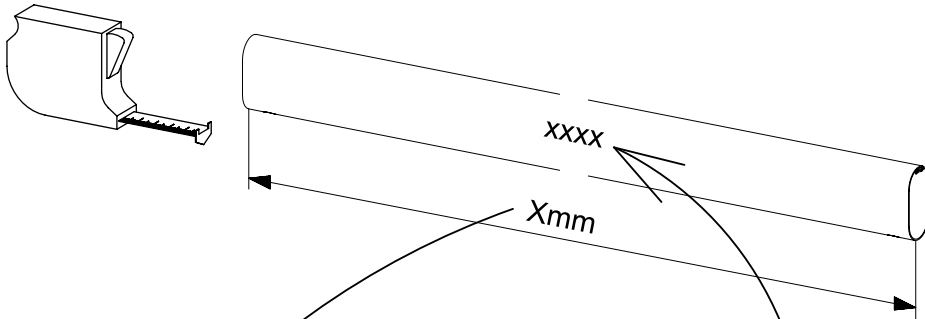
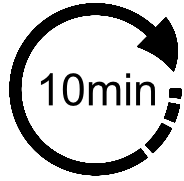
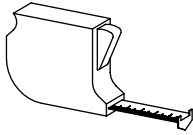
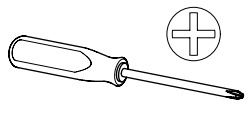
8x 144







MZ110_04




Xmm	  	xxxx
393mm	max. 40kg	2000
426mm	max. 40kg	2001
538mm	max. 40kg	2011
563mm	max. 40kg	2002
650mm	max. 40kg	2003
809mm	max. 40kg	2004
873mm	max. 40kg	2006
890mm	max. 40kg	2010
1097mm	max. 40kg	2008

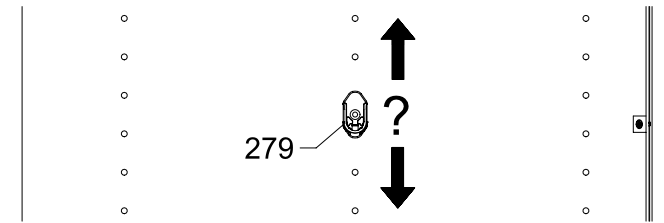
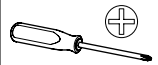
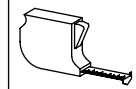


xxxx = 2000, 2001, 2002, 2003, 2004, 2006, 2008, 2010, 2011,

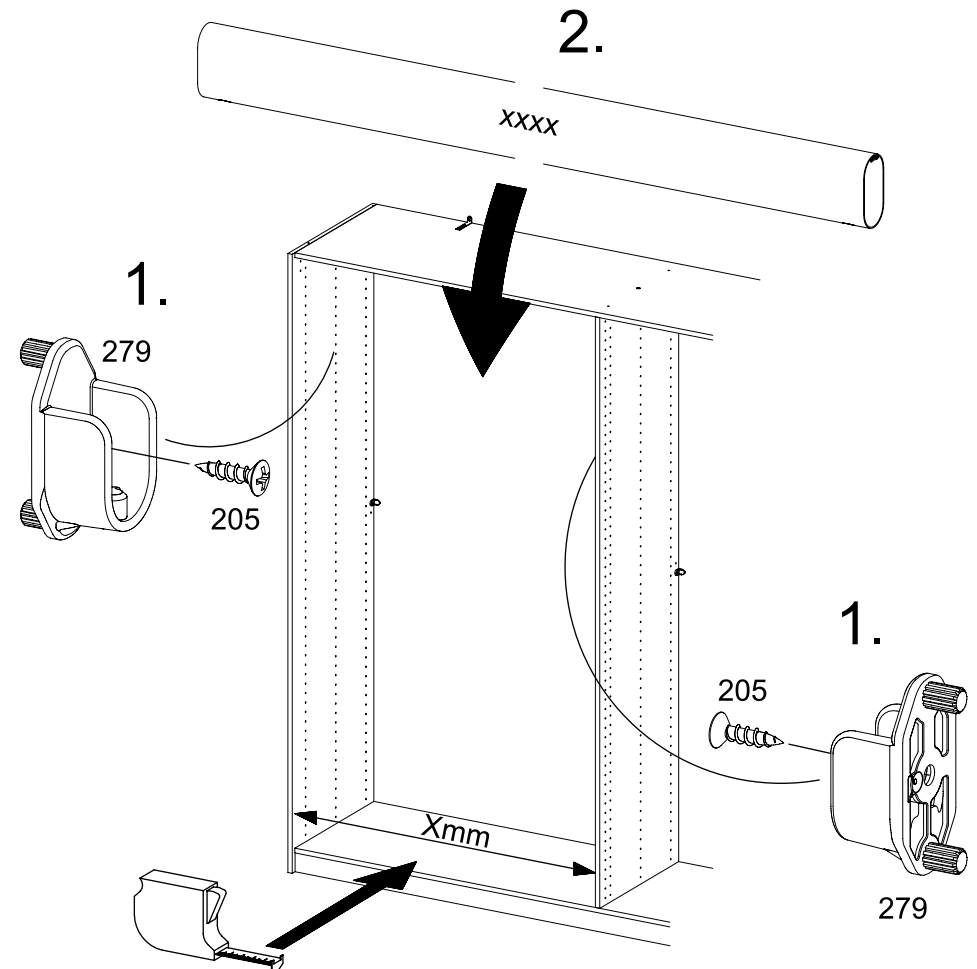
1

2x  3,5x15

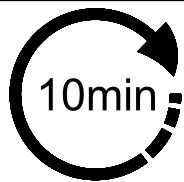
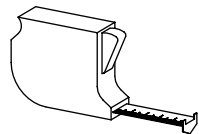
2x 



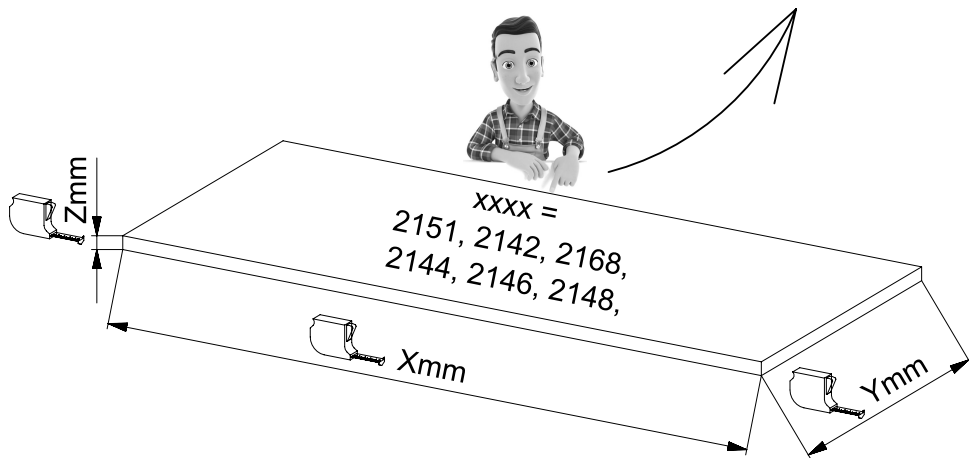
2.




MZ113_04

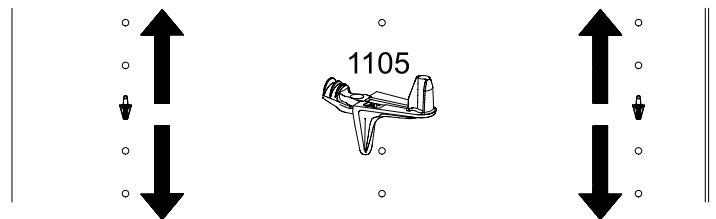


Xmm	Ymm	Zmm		xxxx
241mm	480mm	16mm	max. 10kg	(2151)
432mm	480mm	16mm	max. 10kg	(2142)
544mm	480mm	22mm	max. 25kg	(2168)
656mm	480mm	16mm	max. 10kg	(2144)
880mm	480mm	16mm	max. 10kg	(2146)
1104mm	480mm	22mm	max. 25kg	(2148)

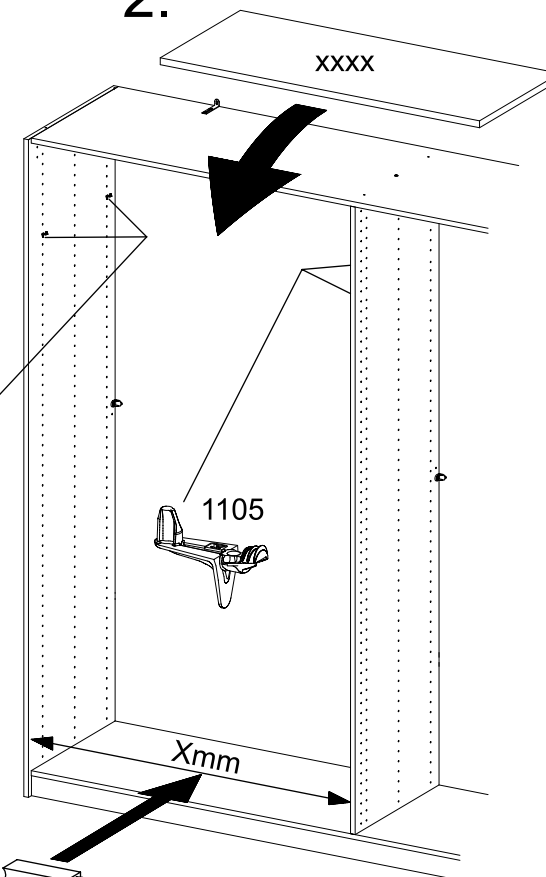


1

4x  (1105)



2.



3.

