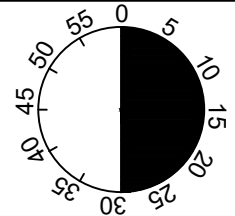
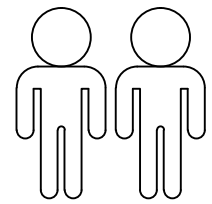
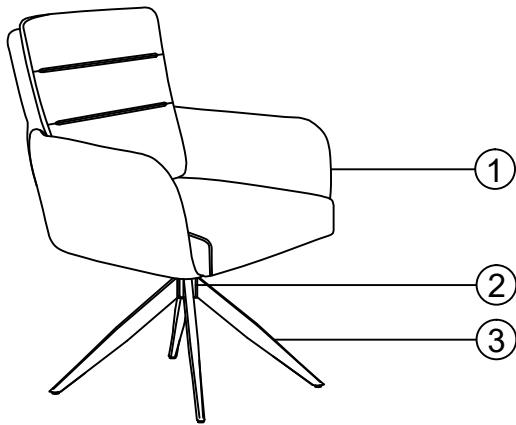
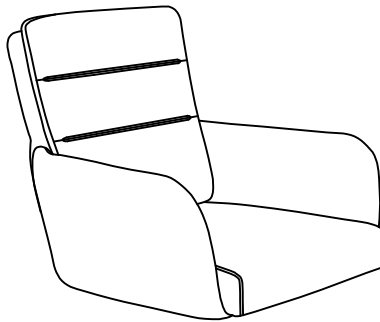


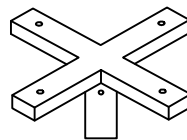
Leandra



1

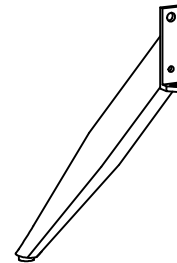


2

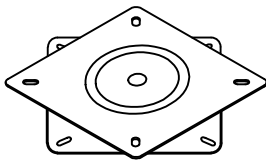


KP 120x120x85mm AR

3

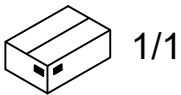


4



DT 180° AR 195X195mm

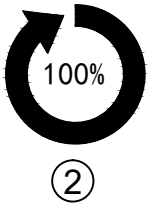
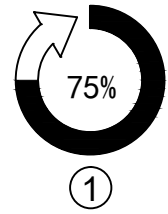
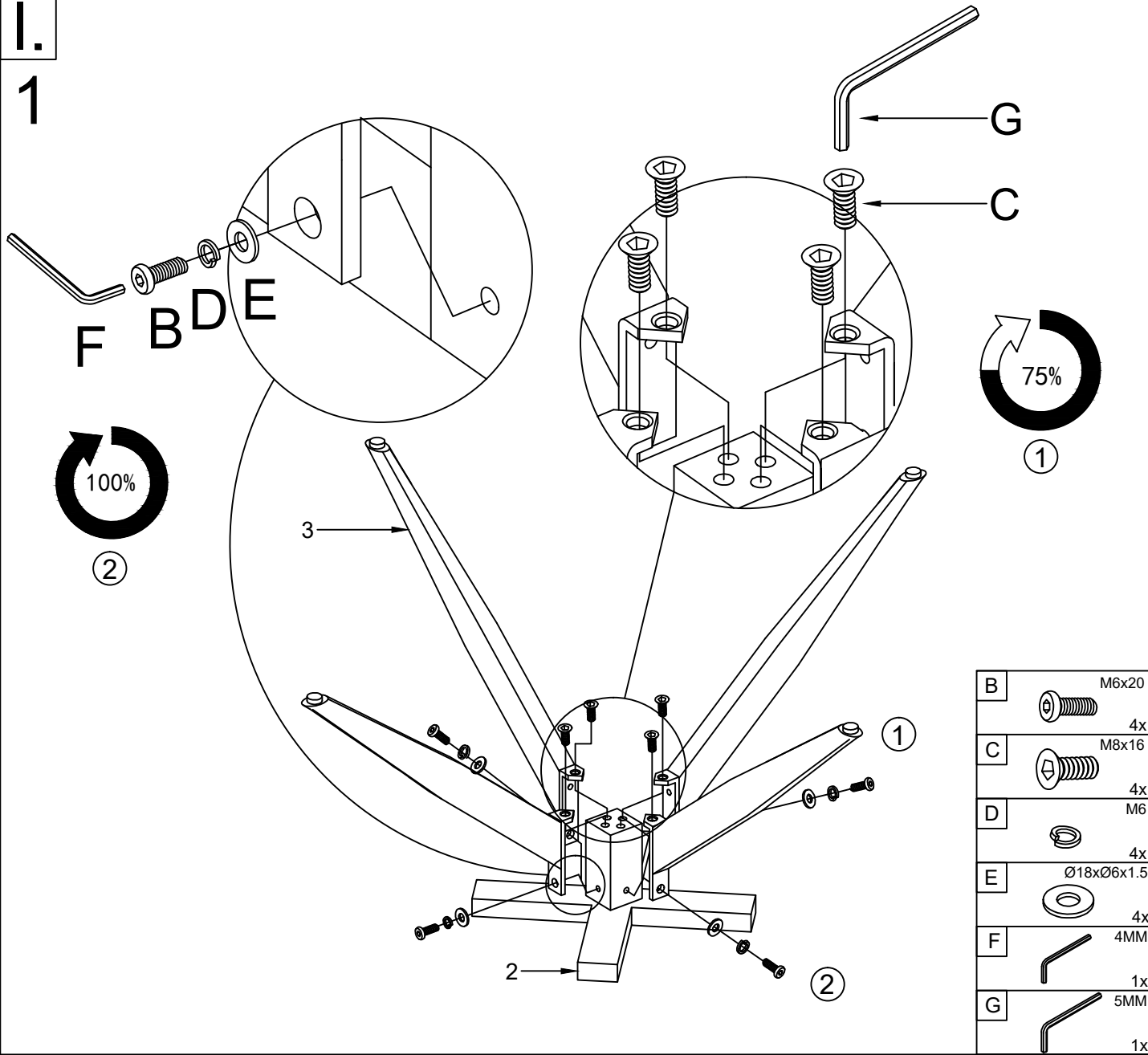
1	1x
2	1x
3	4x
4	1x



A	M6X13	B	M6X20	C	M8X16	D	M6	E	Ø18xØ6x1.5	F	4MM
4x		8x		4x		4x		12x		1x	
G	5MM	H	Ø17xØ6.5x4								
1x		2x									

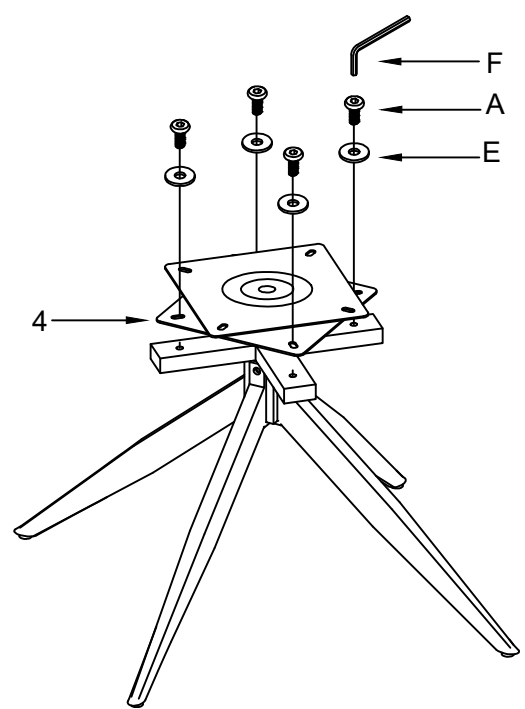
I.

1



B	M6x20
	4x
C	M8x16
	4x
D	M6
	4x
E	Ø18xØ6x1.5
	4x
F	4MM
	1x
G	5MM
	1x

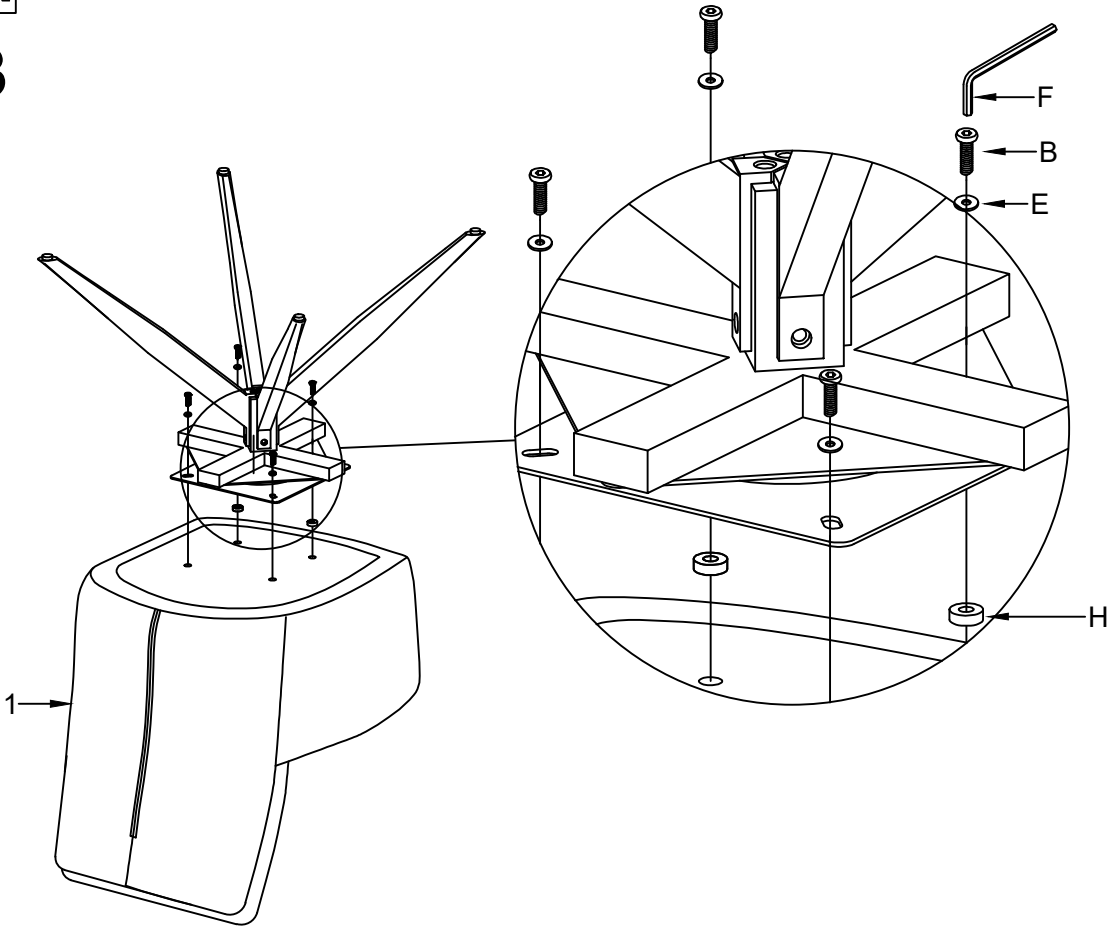
2



A	M6x13
	4x
E	Ø18xØ6x1.5
	4x
F	4MM
	1x
	100%

II.

3



B	M6X20		4x
E	Ø18xØ6x1.5		4x
F	4MM		1x
H	Ø17xØ6.5x4		2x

4



F	4MM		1x
G	5MM		1x



LE TRI
+ FACILE



Séparez les éléments avant de trier